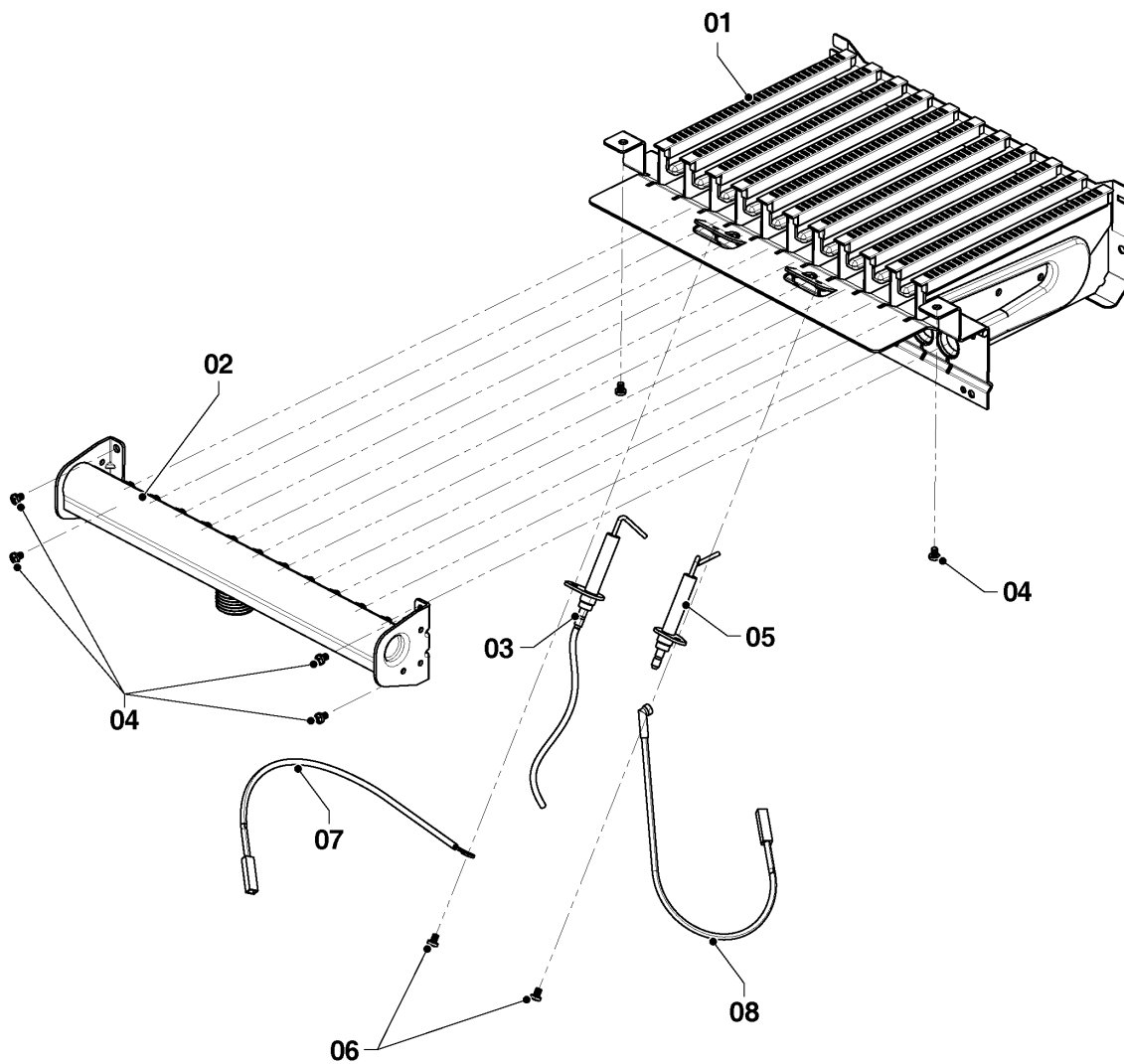


Wall-hung boilers (fan-assisted combi)

Leopard 24 MTM-CC/1 (H-RU)

04 - Burner



02 - 0 - 04 - 09

Wall-hung boilers (fan-assisted combi)

Leopard 24 MTM-CC/1 (H-RU)

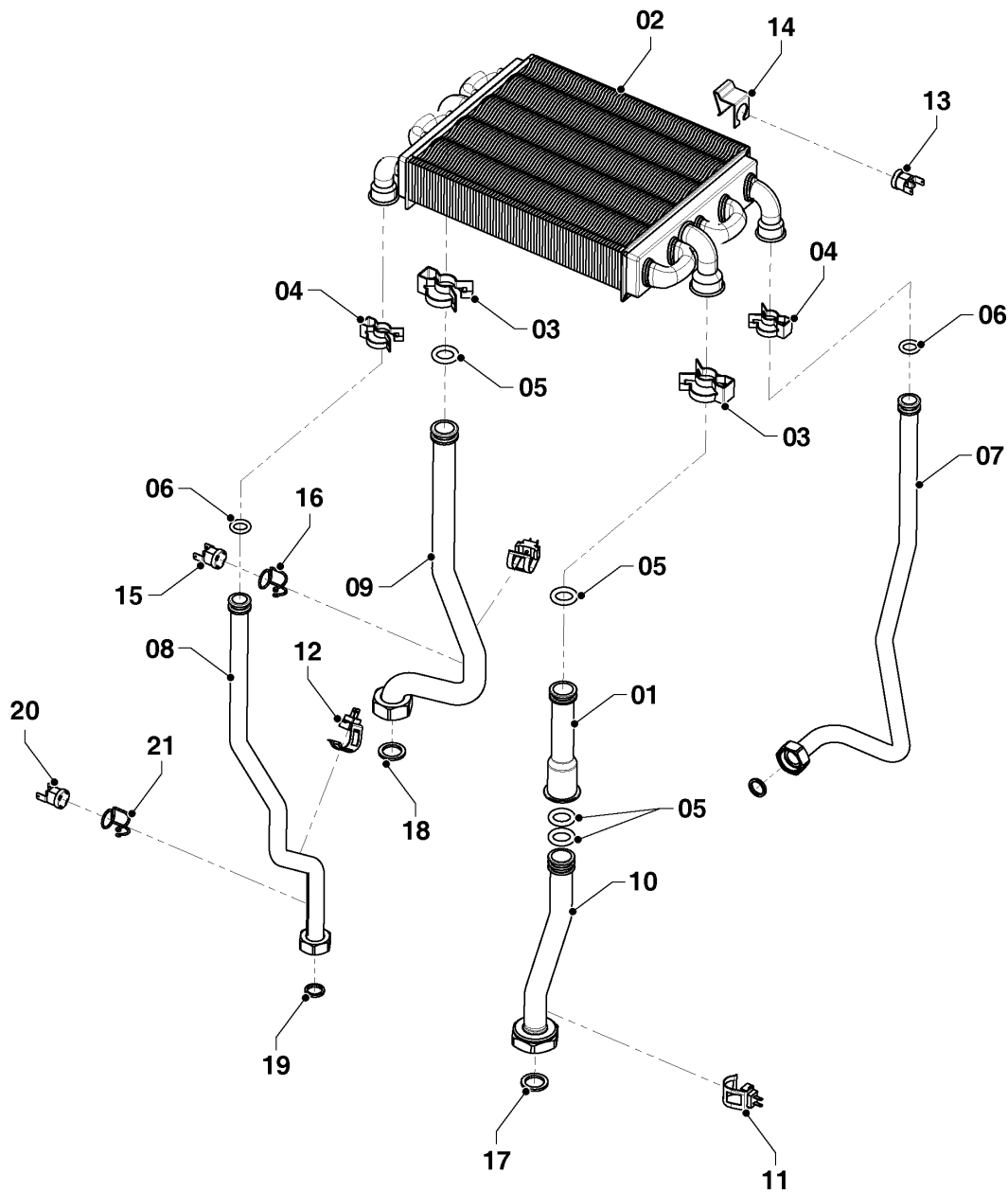
04 - Burner

Pos.	Article	Description	Note
01	0020118596	Burner 24 kw	
02	0020118607	Manifold(collector+injector) ng-24	
03	0020118685	Ignition electrode	
04	0020118709	Screw, 4 x 9.5, (x10)	
05	0020097415	Ionisation Electrode	
06	0020254125	Screw, (x10)	
07	0020098307	Main hearth connector	
08	0020118776	Ionisation electrode cable	

Wall-hung boilers (fan-assisted combi)

Leopard 24 MTM-CC/1 (H-RU)

06 - Heat exchanger



02 - 0 - 06 - 08

Wall-hung boilers (fan-assisted combi)

Leopard 24 MTM-CC/1 (H-RU)

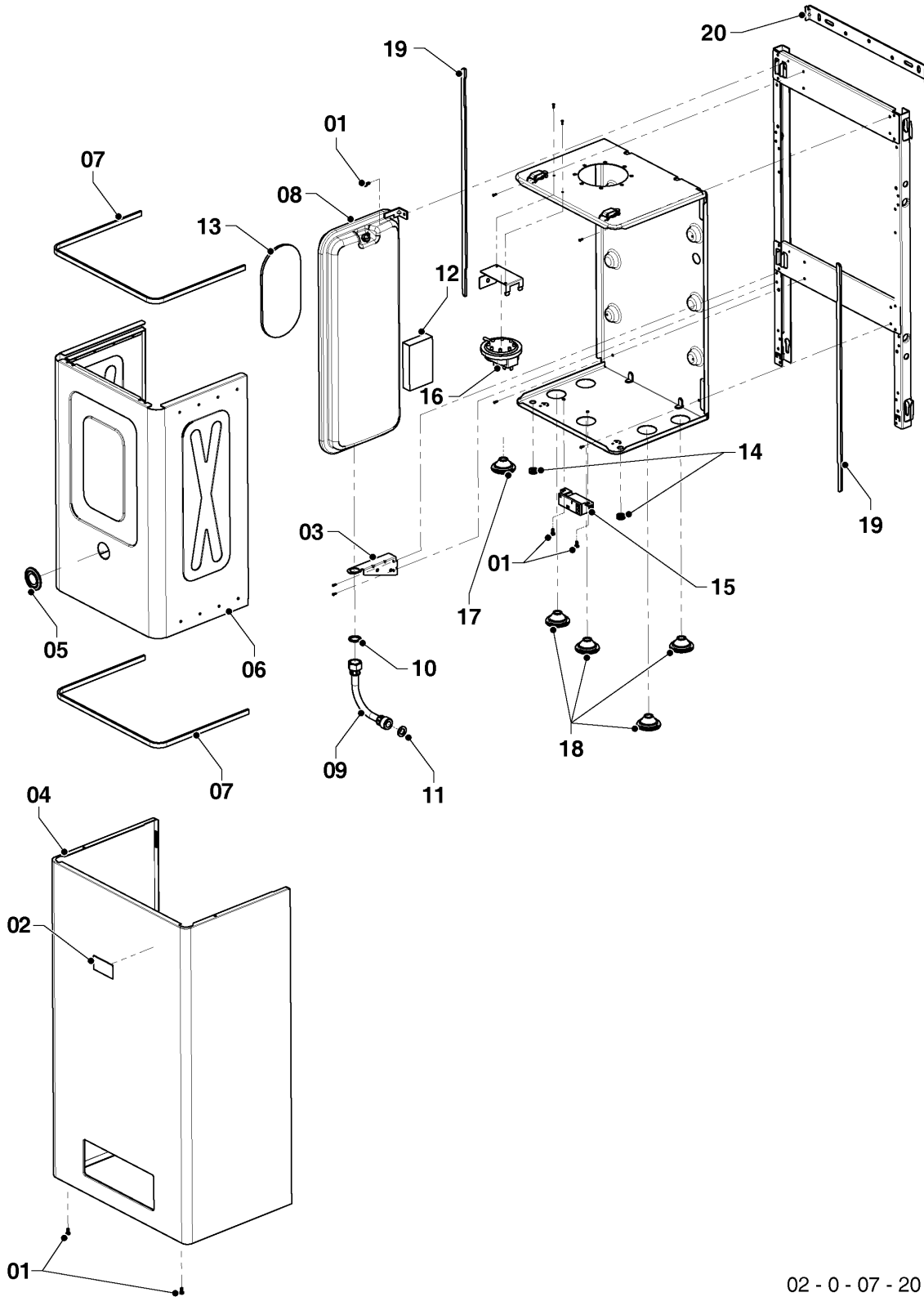
06 - Heat exchanger

Pos.	Article	Description	Note
01	0020118781	Tube	
02	0020119543	Heat Exchanger,18/23kW	
03	0020097418	Clip, (x10)	
04	0020269108	Clip, (x10)	
05	0020097419	O-ring, (x10)	
06	0020118784	O-ring heatexchanger-d.h.w.	
07	0020118614	Tube	
08	0020118616	Outlet Pipe for 24 kw-DHW	
09	0010027335	Tube	
10	0020118618	Inlet Pipe for 24 kw-CHW (Pump side)	
11	0020258904	Sensor - NTC Surface Type -5C to 105C	
12	0020099295	Temperature sensor	
13	0020258905	Thermostat,O.Heat Safety 125C with reset	
14	0020118769	Clip	
15	0020258908	Thermostat, Limit 98/70C (Bott/Left)	
16	0020258906	Clip - 3003200397 limit thermstat (PK10)	
17	0020118626	Gasket (PK10)	
18	0020098321	Gasket, (x10)	
19	0020098420	Gasket, (x10)	
20	0020118630	Thermostat-no flange 1nt01l-6064 (85-50)	
21	0020269091	Clip, (x10)	

Wall-hung boilers (fan-assisted combi)

Leopard 24 MTM-CC/1 (H-RU)

07a - Casing parts



02 - 0 - 07 - 20

Wall-hung boilers (fan-assisted combi)

Leopard 24 MTM-CC/1 (H-RU)

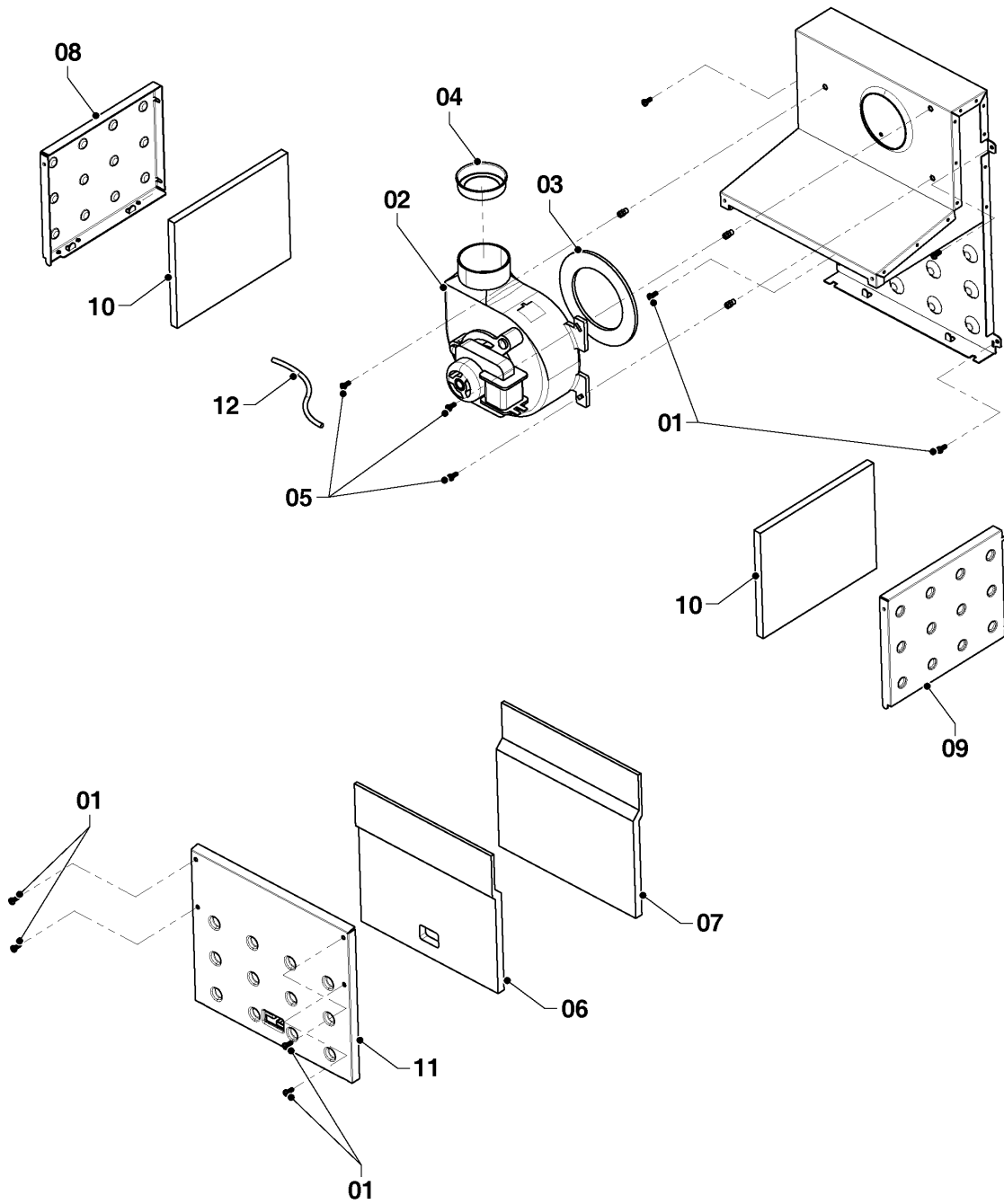
07a - Casing parts

Pos.	Article	Description	Note
01	0020258683	Screw, (x10), 4x9.5	
02	0020118803	Name badge	
03	0020118673	Bracket, ex. vessel (kx 20-24-28 kw)	
04	0020098292	Panel 24 kW (front)	
05	0020098294	Flame inspection hole gasket	
06	0020098295	Hermetic cabin front cover 24 kW	
07	0020098298	Hermetic cabin front cover gasket 24 kW	
08	0020098299	Expansion vessel	
09	0020098300	Expansion vessel connection pipe	
10	0020258688	Flat sealing Ring, (x10), exp. vessel	
11	0020098302	Expansion vessel O-ring	
12	0020098303	joint foams vessel sponge	
13	0020258689	EXPANSION VESSEL FOAM 50X100X3 MM-NEVA	
14	0020258690	Grommet, (x10)	
15	0020098306	Ignition transformer	
16	0020098311	Air pressure switch	
17	0020258692	Grommet - Large(PK10)	
18	0020099293	Spring	
19	0020258686	Insulation,Panel Seal-KX combi	
20	0020098421	Strip terminal	

Wall-hung boilers (fan-assisted combi)

Leopard 24 MTM-CC/1 (H-RU)

07b - Combustion chamber



02 - 0 - 07 - 21

Wall-hung boilers (fan-assisted combi)

Leopard 24 MTM-CC/1 (H-RU)

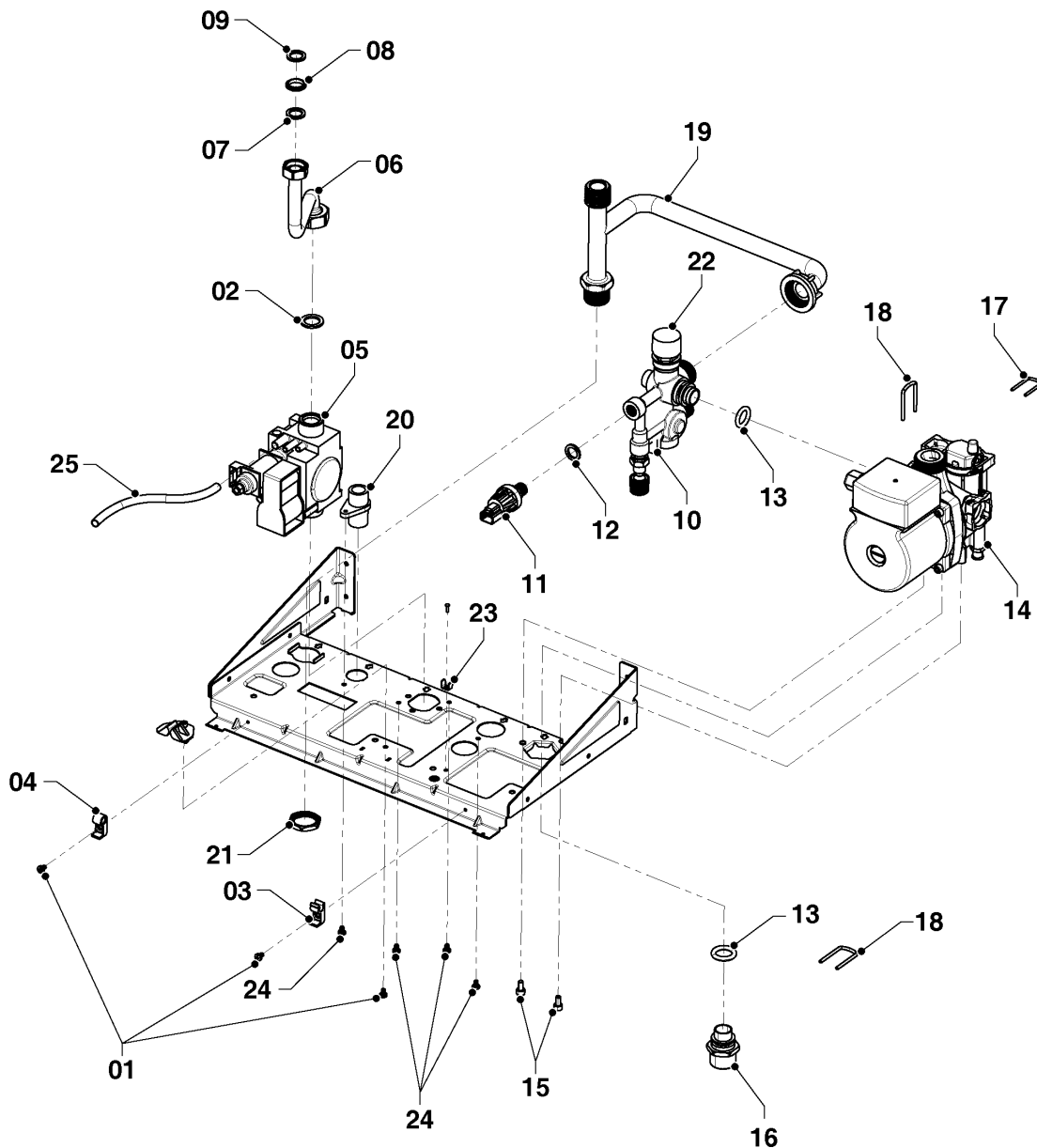
07b - Combustion chamber

Pos.	Article	Description	Note
01	0020258683	Screw, (x10), 4x9.5	
02	0020259332	Fan,VGR0037065	
03	0020098267	Gasket	
04	0020098268	Fan diaphragm	
05	0020098269	Screw	
06	0020259344	Heat insulation,plate,front,24 kW,NB	
07	0020259338	Heat insulation, (x10)	
08	0020098276	Panel (left)	
09	0020098277	Panel (right)	
10	0020098278	Insulation plate	
11	0020118763	Cover, comb. chamber 24 kw	
12	0020119798	Hose	

Wall-hung boilers (fan-assisted combi)

Leopard 24 MTM-CC/1 (H-RU)

08a - Hydraulic parts



02 - 0 - 08 - 57

Wall-hung boilers (fan-assisted combi)

Leopard 24 MTM-CC/1 (H-RU)

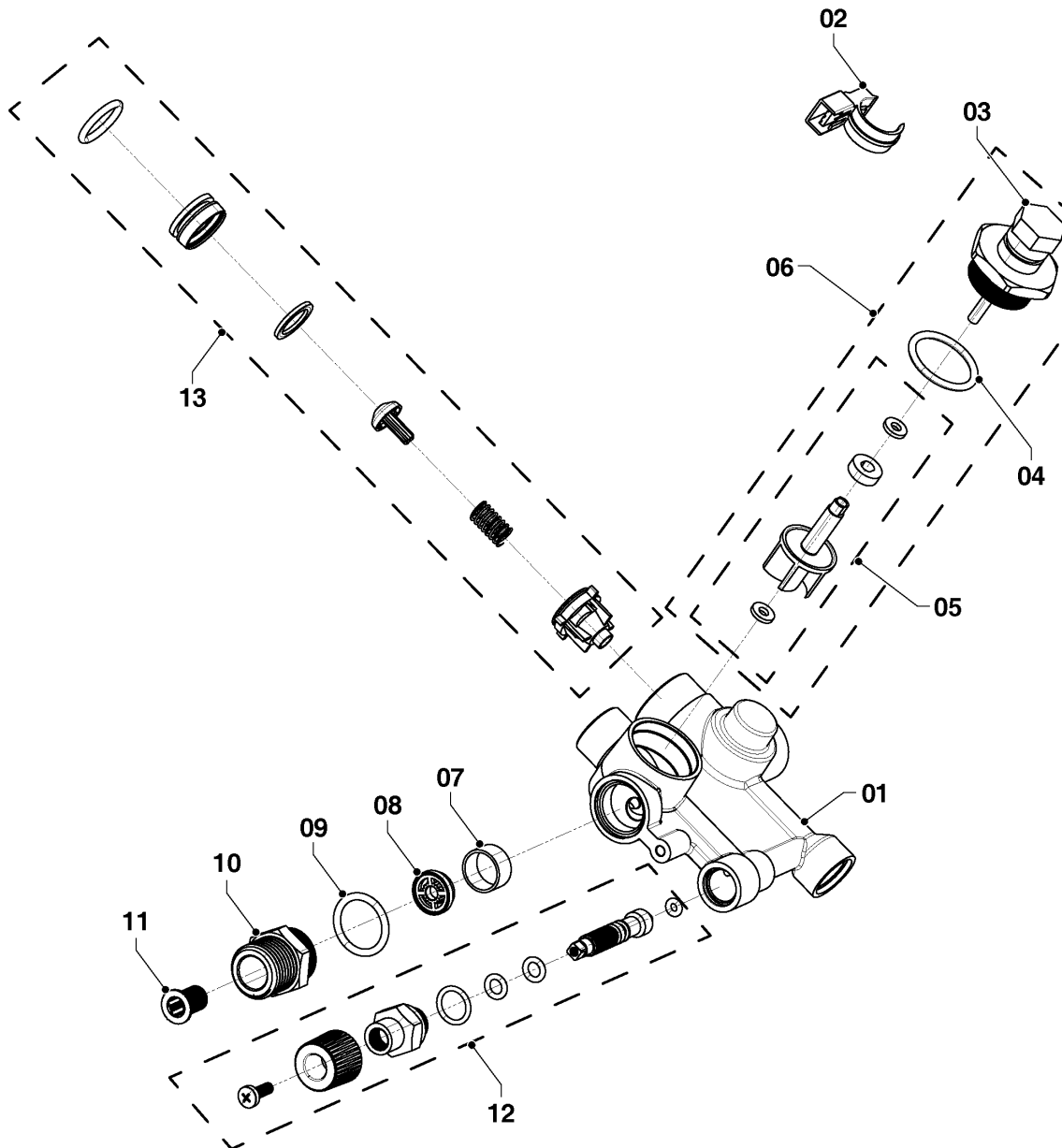
08a - Hydraulic parts

Pos.	Article	Description	Note
01	0020258683	Screw, (x10), 4x9.5	
02	0020098321	Gasket, (x10)	
03	0020258999	Support, Panel (Left) (PK10)	
04	0020258998	Support, Panel (Right)(PK10)	
05	0020118636	Gas valve	
06	0020118611	Gas pipe	
07	0020259003	Washer, Gas pipe connection(PK10)	
08	0020259004	Cap, Sealing element(PK10)	
09	0020259005	Seal, gas pipe-Nitrile(PK10)	
10	0020118782	Valves (hydraulic)	
11	0020118783	Water presure sensor	
12	0020118785	O-ring	
13	0020259232	O-ring, 18.3x3.6(PK10)	
14	0020119604	Pump	available untlI sold out, then replaced by HE pump
14	0020123125	Pump, HEP UPM3 15-70 Flex	In case of upgrading SD to HE pump please order also adapter 0010030686!
14	0010030686	Plug	
14	0010026674	Plug, PWM	
15	0020259240	Screw, (x10), #5x12	
16	0020259241	Nipple, pump inlet G3/4	
17	0020259233	Clip - pump / heat exchanger(PK10)	
18	0020259242	Clip, (x10), pump/flow sensor housing	
19	0010027337	Tube	
20	0020118779	Nb d.h.w. outlet nippel	
21	0020098350	Nut	
22	0020118755	Pressure relief valve - 3 bar	
23	0020118787	Ground wire connector (uf 1706)	
24	0020259006	Screw, (x10), M4x8	
25	0020119798	Hose	

Wall-hung boilers (fan-assisted combi)

Leopard 24 MTM-CC/1 (H-RU)

08b - Hydraulic parts



02 - 0 - 08 - 58

Wall-hung boilers (fan-assisted combi)

Leopard 24 MTM-CC/1 (H-RU)

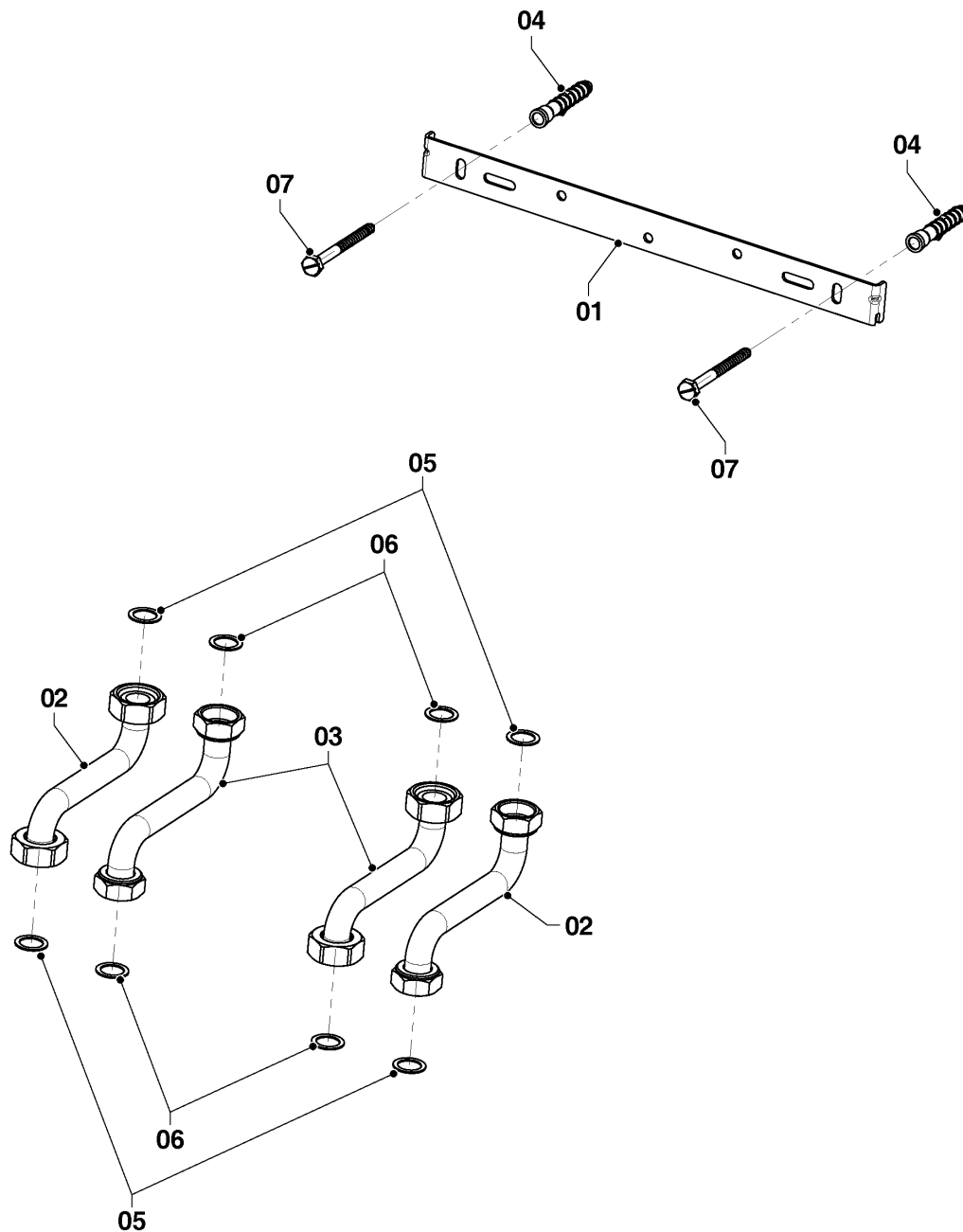
08b - Hydraulic parts

Pos.	Article	Description	Note
01	0020118782	Valves (hydraulic)	
02	0020098352	Flow sensor	
03	0020260153	flow sensor body	
04	0020259351	O-Ring (PK10)	
05	0020259352	Flow sensor wheel	
06	0020098356	Impeller kit	
07	0020259354	Ring, Plastic Inlet(pk5)	
08	0020259355	Flow Limiter (12 Lt) 20 Kw -24 Kw(PK10)	
09	0020259356	O-Ring (PK10)	
10	0020259357	Nipple,WHA Hydroblock out nipple	
11	0020259358	DCW filter (PK10)	
12	0020098357	Filling valve	

Wall-hung boilers (fan-assisted combi)

Leopard 24 MTM-CC/1 (H-RU)

08c - Hydraulic parts



02 - 0 - 08 - 59

Wall-hung boilers (fan-assisted combi)

Leopard 24 MTM-CC/1 (H-RU)

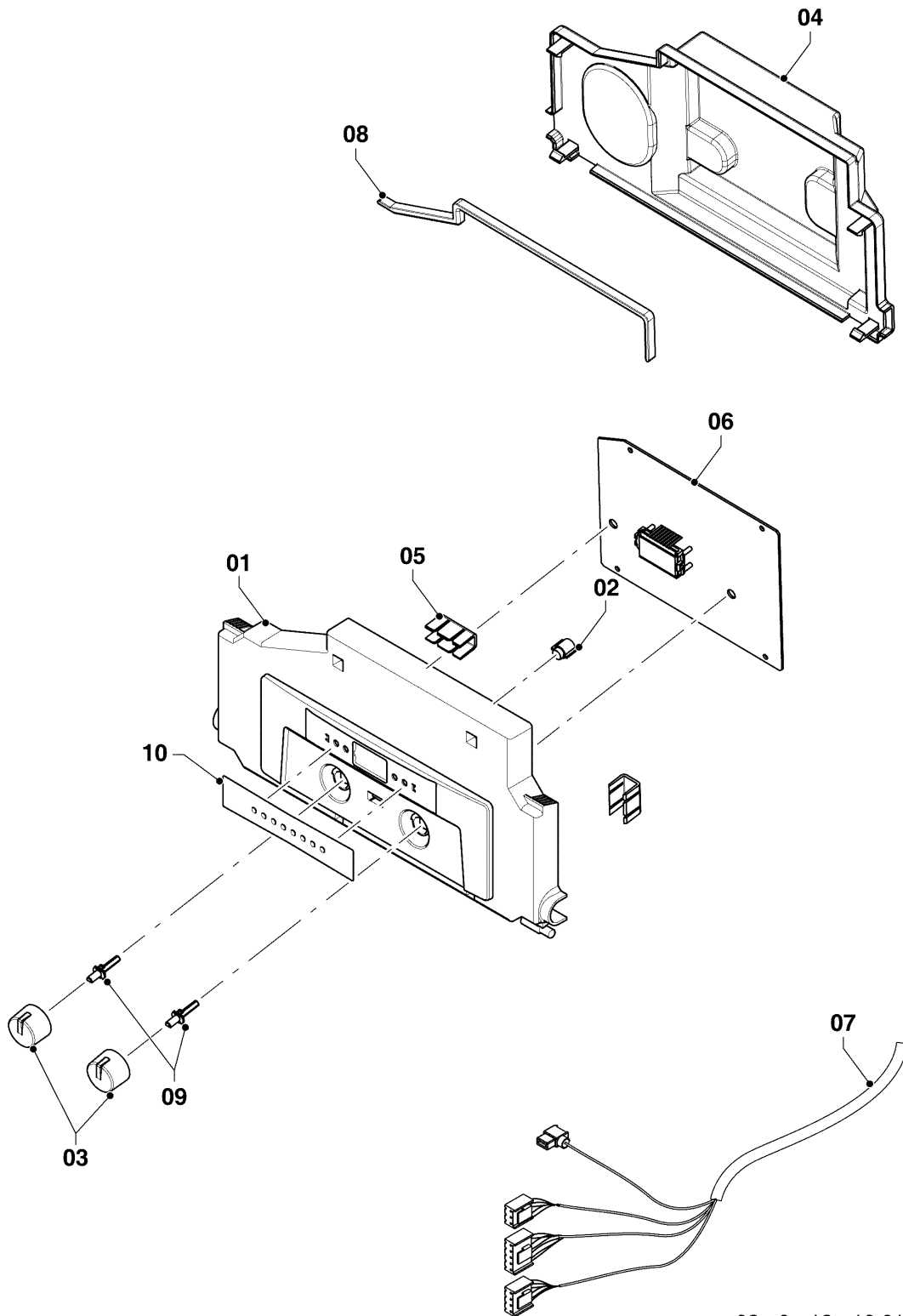
08c - Hydraulic parts

Pos.	Article	Description	Note
01	0020118750	Hanging bracket 24 kW	
02	0020118648	Accessory pipe - 3/4	
03	0020118649	Accessory pipe - 1/2	
04	0020118633	Raw plugs, (x10)	
05	0020118627	Gasket, (x10)	
06	0020118624	Gasket, heat exch. outlet pipe, (x10)	
07	0020118622	Screw, (x10)	

Wall-hung boilers (fan-assisted combi)

Leopard 24 MTM-CC/1 (H-RU)

12 - Control panel



02 - 0 - 12 - 10.01

Wall-hung boilers (fan-assisted combi)

Leopard 24 MTM-CC/1 (H-RU)

12 - Control panel

Pos.	Article	Description	Note
01	0010027336	Control panel	
02	0020098285	Button	
03	0020098286	Knob, (x10)	
04	0020259349	Cover,plastics,PCB,NB	
05	0020098290	Grommet, (x10)	
06	0020118775	Elektronik kart (basic)	
07	0020118770	Cable harness	
08	0020101932	Gasket	
09	0020259347	Spindle White (PK10)	
10	0020118774	Makrofol (basic)	