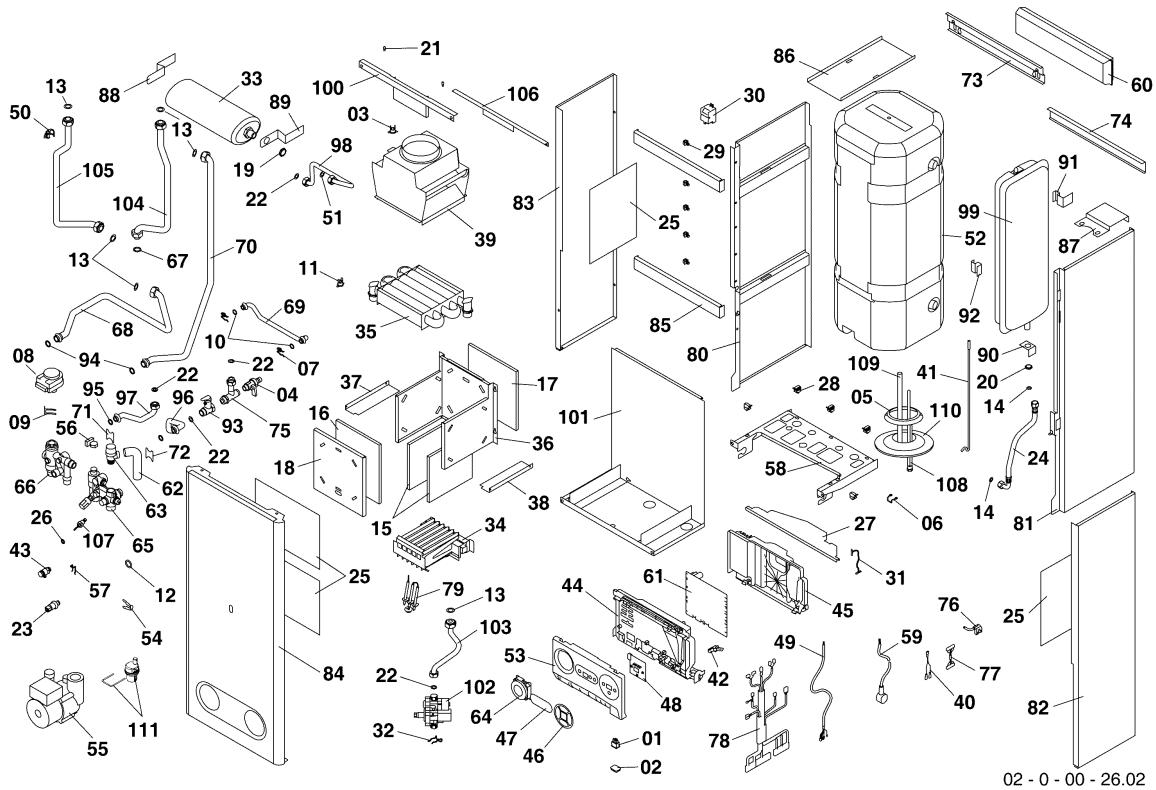


Wall-hung boilers (conventional flue with DHW storage) 12KOZ/17 TIGER 00 - General view



Wall-hung boilers (conventional flue with DHW storage)

12KOZ/17 TIGER

00 - General view

Pos.	Article	Description	Note
001	0020033233	Mains On/Off switch	
002	0020033241	Bubble of 1 pole switches	
003	0020027661	Thermostat bim. revers. 80 C	
004	0020044776	drain valve	
005	0020035066	Seal to flange lid 45l SANICEL	
006	0020033365	Spring of safety sensor TG	
007	0020033428	Clip for by-pass	
008	0020025278	Motor, 3way valve	
009	0020033430	Clip to electromotor block	
010	0020033433	Seal, OR 2050, (x10)	
011	0020027575	Thermostat bim.non-revers.	
012	0020033467	O-Ring, 18x3,5, (x10)	
013	0020027665	Sealing ring 24x15x2, (x10)	
014	0020033473	Gasket, 15x8x2, (x10)	
015	0020033524	Insulation SK 184x168	
016	0020033578	Insulation 185x218	
017	0020033580	Insulation 204x218	
018	0020033780	Comb. chamber front cover 12	
019	0020033835	Nut 1/2 low	
020	0020033836	Nut 3/8 low	
021	0020033921	Limiting pin 70004250	
022	0020033932	Sealing ring, AFM 34 18x10x2, (x10)	
023	S5720500	Pressure sensor	
024	0020034104	Hose arm. 3/8-3/8-elbow 30cm	
025	0020034106	Reflex foil -II	
026	0020034114	O-Ring, 14x9,5x2,5, (x10)	
027	0020034690	Operation panel strip	
028	0020034693	Wire gripping 057656	
029	0020035609	sWire gripping 0174820	
030	S5742700	Spark generator	
031	0020034724	Control panel string	
032	0020034725	Clip gas valve SD	

Wall-hung boilers (conventional flue with DHW storage)

12KOZ/17 TIGER

00 - General view

Pos.	Article	Description	Note
033	0020027617	EXPANSION VESSEL 2L	
034	0020034876	Burner 401.0929.02	
035	0020025314	Heating exchanger - heating 12KW	
036	0020034879	Base of comb. cham. 12	
037	0020043892	Strip of comb. chamb. left	
038	0020043893	Strip of comb. chamb. right	
039	0020035613	SMOKE HAT 12 v. 15	
040	0020034914	Wire GND (Q254)	
041	0020027633	Sensor SO10045	
042	0020034940	Cable holder-125282	
043	0020034971	Air vent 1/4-ART.347	
044	0020034983	El.box-125891	
045	0020034984	El.box cover-123003	
046	0020035031	El. panel foil-BXV16	
047	0020035032	El. panel foil-BXV16-oval	
048	0020044568	Display panel PUI Tiger v.17	
049	0020035035	Wire - Z057	
050	0020035043	Mount sensor 18mm-JS3227/17	
051	0020035050	Flat ring 18,5x10x2 Cu -annealed	
052	0020025251	Storage water heater 45L SANICELL	Connection kit is not a part of this spare part. To be ordered separately: 0020072165
053	0020035075	Operation panel 24BTV/BOV17	
054	0020035077	Pump clip NFSL 12/5-3PL12	
055	0020027644	Pump NFSL/PREMIUM-3-CRF-12	available until sold out, then replaced by HE pump
055	0010030660	Pump, high-efficiency	In case of upgrading SD to HE pump please order also adapter 0010030684!
055	0010030684	Plug	
056	0020027652	Flow sensor	
057	0020035080	Clip pressure sensor	
058	0020035081	Hydroblock beam - L17	

Wall-hung boilers (conventional flue with DHW storage)

12KOZ/17 TIGER

00 - General view

Pos.	Article	Description	Note
059	0020035097	Wire pump	
060	0020043720	Set - hanging v.17	
061	S1047000	Printed circuit board	
062	0020043931	Hose SP 130-20mm	
063	0020035129	Safety valve, 300 kPa 1/2'-V17	
064	0020035131	Mech. clock RM/1Q.TUH	
065	0020035132	Hydroblock input T17	
066	0020035133	Hydroblock output T17	
067	0020043217	O-ring, (x10)	
068	0020035515	Tank tube input-T17	
069	0020035516	Tube by-pass-T17	
070	0020035517	Tank tube output-T17	
071	0020035521	Clip hydroblock left T17	
072	0020035522	Clip hydroblock right T17	
073	0020035523	Beam of top tank frame	
074	0020035524	Beam of down tank frame	
075	0020035525	T-fitting KXZ17	
076	0020035544	Wire-ZIG2-3WV	
077	0020035545	Wire-PUIT+timer	
078	0020035547	Wire 24KOZ17	
079	0020035628	Electrods 12KXZ17	
080	0020035550	Tank side cover L	
081	0020035551	Tank side cover R	
082	0020035552	Side cover P - T17	
083	0020035553	Side cover L - T17	
084	0020035554	Front panel, T-17	
085	0020044682	Holder beam front T17	
086	0020044683	Top tank holder - T17	
087	0020044684	Down tank holder - T17	

Wall-hung boilers (conventional flue with DHW storage)

12KOZ/17 TIGER

00 - General view

Pos.	Article	Description	Note
088	0020044685	Expansion holder DHW L - T17	
089	0020044686	Expansion holder DHW R - T17	
090	0020044687	Expansion holder down - T17	
091	0020044688	Expansion holder side - T17	
092	-	-	not available
093	0020035555	Safety valve 600kPa 1/2	
094	0020035556	O- Ring 15x2,65	
095	0020035557	O-ring, 13x2,5, (x10)	
096	0020035558	Tube TUV inlet KXZ17	replaced by 0020195259
096	0020195259	Tube TUV inlet KXZ17	
097	0020035559	Tube TUV outlet KXZ17	
098	0020035560	Expansion tube TUV KXZ17	
099	0020035561	Expansion vessel 8l-Z	
100	0020035629	Side holder 12KOZ17	
101	0020035630	Base 12KOZ17	
102	S1071600	Gas valve assembly, G20, G25	natural gas
102	S1071500	Gas valve assembly, G30	LPG
103	0020035631	Gas tube, 12KXZ17	
104	0020035632	Tube input HW 12KXZ17	
105	0020035633	Tube output VV 12KXZ17	
106	0020035634	Draughtt diverter holder 12KOZ17	
107	0020044914	Refill valve v.17 (12.0061)	
108	0020056507	Double copper sheath - 45l water tank SP	
109	0020027643	Anode to boiler 45l SANICELL	
110	0020035065	Flange lid to boiler 45l SANIC	
111	S1024500	Automatic de-aerator	