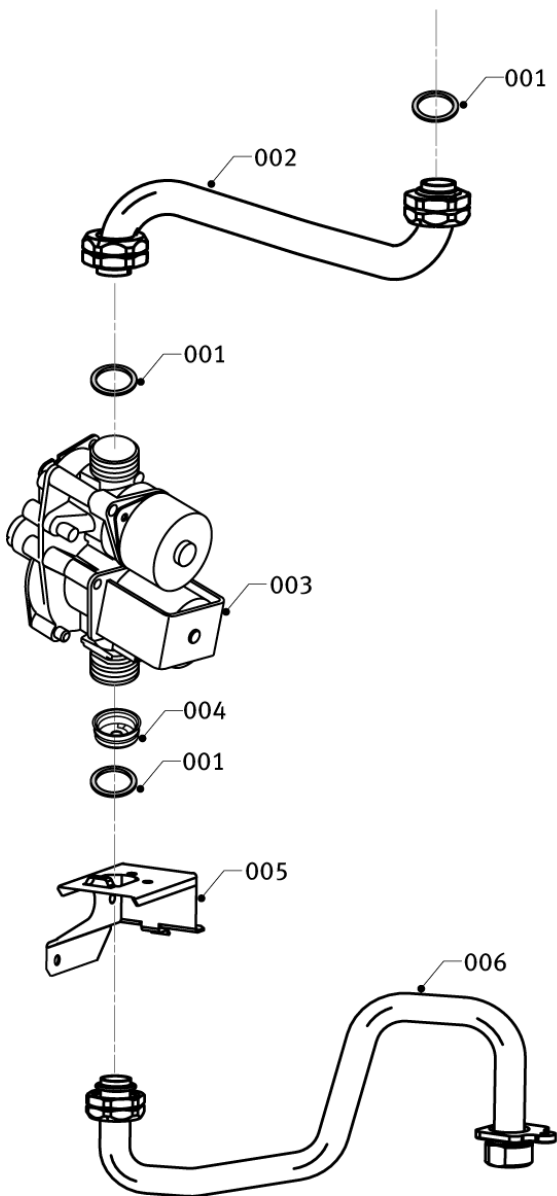


Wall-hung boilers (fan-assisted combi)

23MTV19 Gepard (N-RU)

02 - Gas section



02 - 0 - 02 - 01

Wall-hung boilers (fan-assisted combi)

23MTV19 Gepard (N-RU)

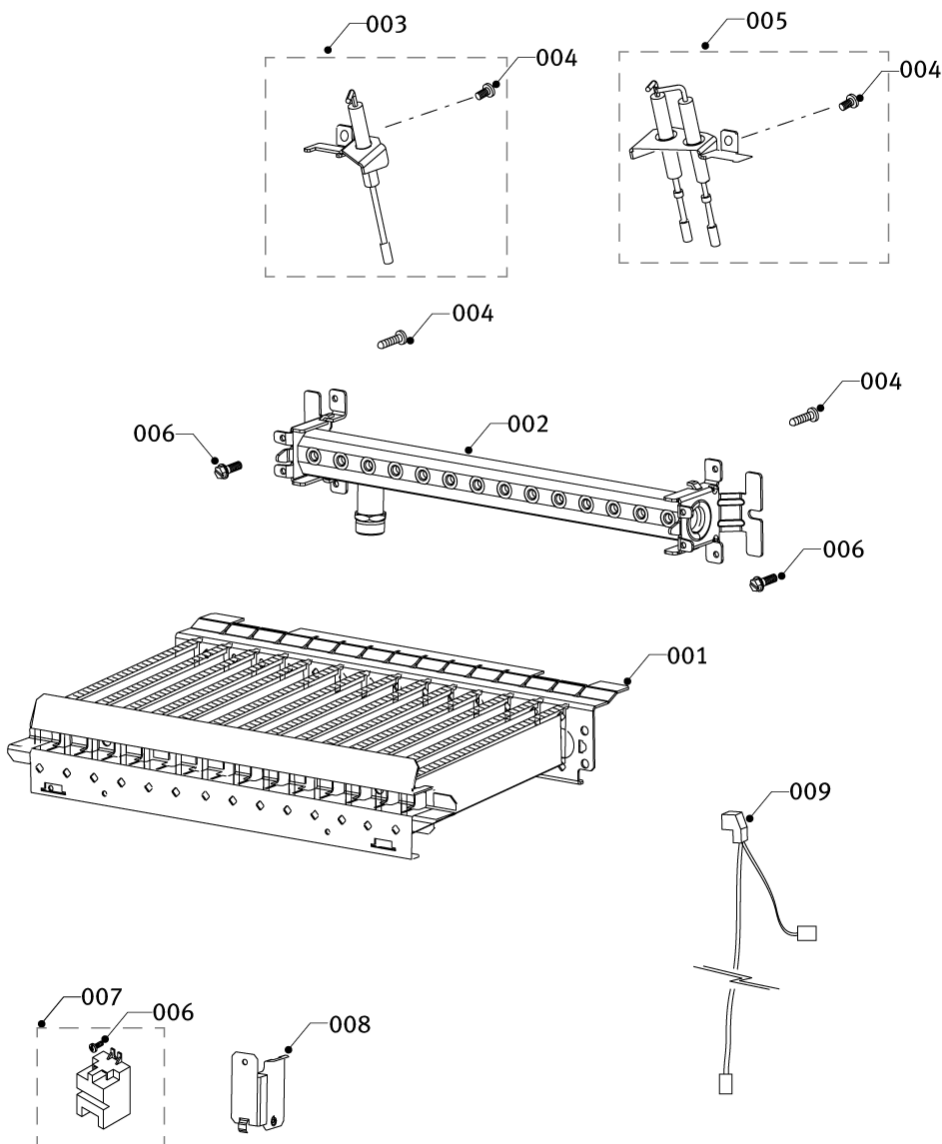
02 - Gas section

Pos.	Article	Description	Note
001	0020137104	Washer 13,7-18x1,5mm (x10)	
002	0020098011	Gas Tube	
003	0020039188	Gas valve assembly, with regulator 12mm	23MTV19 Gepard (N-RU)
004	0020132294	Orifice plate, 4.8 mm	LPG
004	0020132291	Orifice plate, 6.1 mm	NGL
005	0020097988	Support gas valve	
006	0020097989	Gas Tube	

Wall-hung boilers (fan-assisted combi)

23MTV19 Gepard (N-RU)

04 - Burner



02 - 0 - 04 - 01

Wall-hung boilers (fan-assisted combi)

23MTV19 Gepard (N-RU)

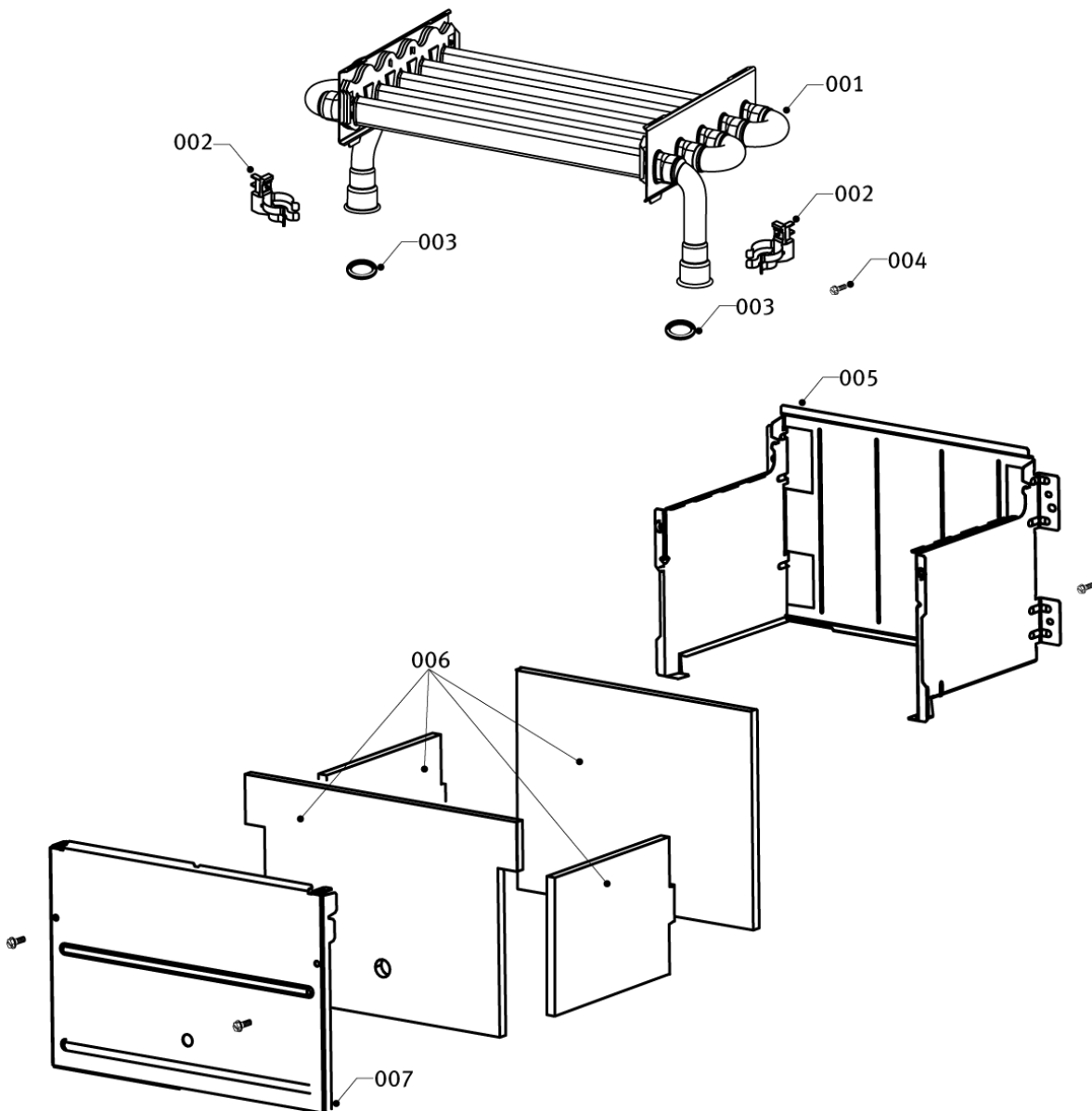
04 - Burner

Pos.	Article	Description	Note
001	0020098015	Burner	
002	0020098013	Manifold - 1,30	23MTV19 Gepard (N-RU)
003	2000801887	Sensing flame electrode	
004	S5490600	Screw, (x50)	
005	2000801888	Ignition flame electrode	
006	2000801946	Screw, torx 4.2x13.5mm, (x25)	
007	S5742700	Spark generator	
008	0020097983	Support ignitor	
009	0020097984	Ignitor harness	

Wall-hung boilers (fan-assisted combi)

23MTV19 Gepard (N-RU)

06 - Heat exchanger



02 - 0 - 06 - 01

Wall-hung boilers (fan-assisted combi)

23MTV19 Gepard (N-RU)

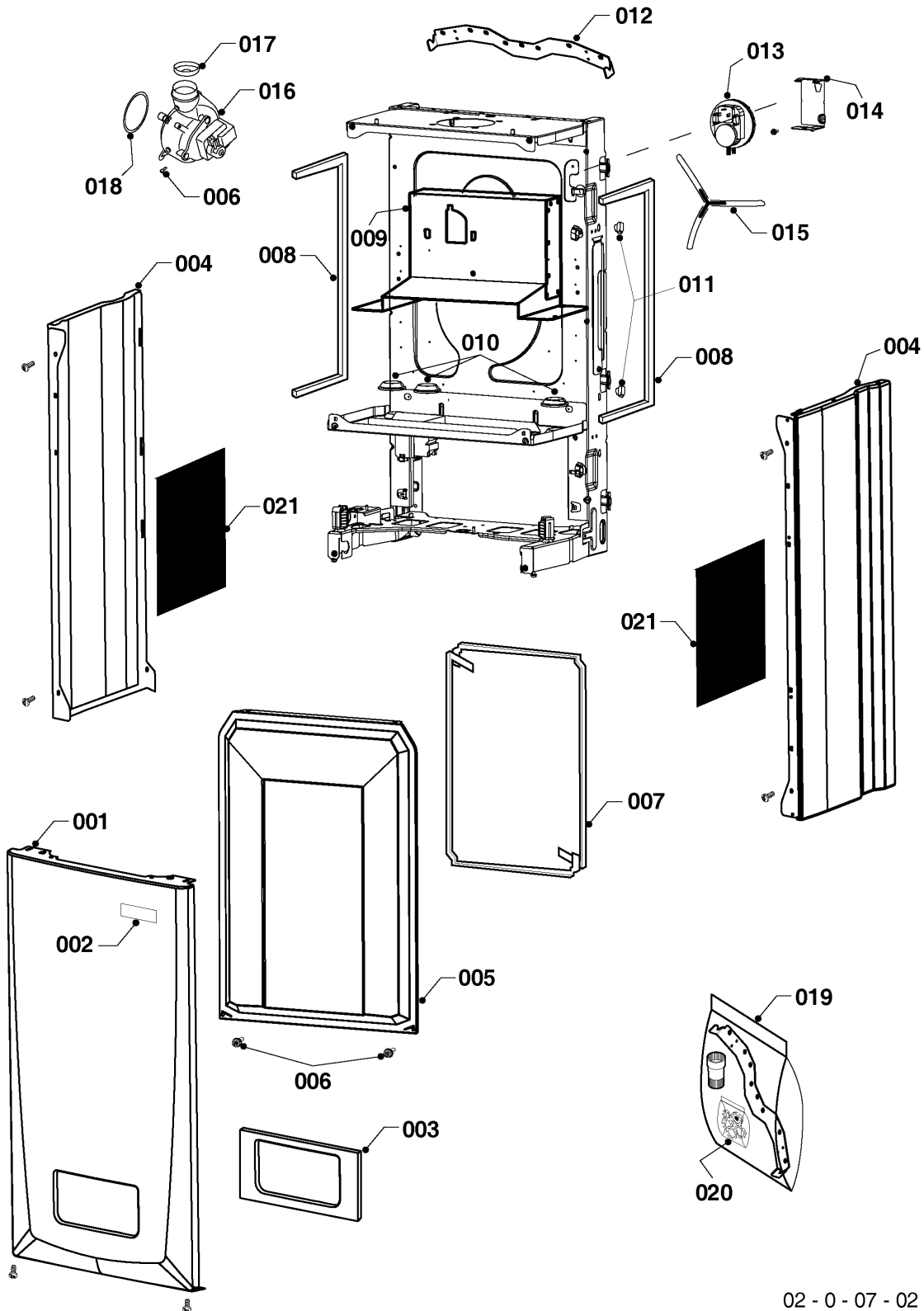
06 - Heat exchanger

Pos.	Article	Description	Note
001	0020142414	Heat exchanger	
002	0020039184	Thermostat Heating and clip	
003	0020020741	O-ring	
004	2000801946	Screw, torx 4.2x13.5mm, (x25)	
005	0020098001	Combustion chamber rear plate	
006	0020098014	insulation combustion chamber	
007	0020098005	Combustion chamber, cover 20kW	

Wall-hung boilers (fan-assisted combi)

23MTV19 Gepard (N-RU)

07a - Casing parts



02 - 0 - 07 - 02

Wall-hung boilers (fan-assisted combi)

23MTV19 Gepard (N-RU)

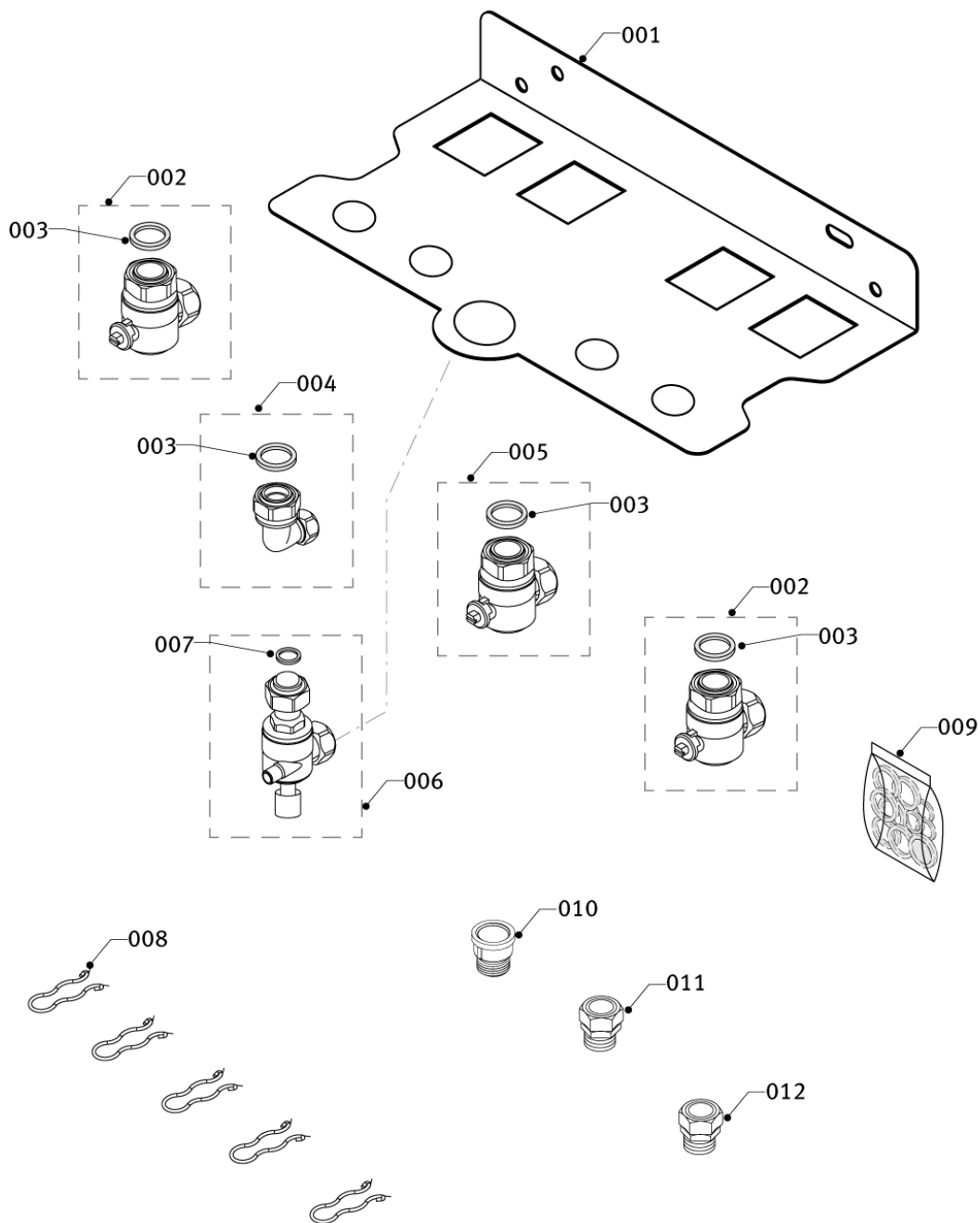
07a - Casing parts

Pos.	Article	Description	Note
001	0020094081	Front panel, PT shape white	
002	0020035103	Label PROTHERM 70	
003	0020101506	Seal, front panel	
004	0020094640	Side panel, white VC SP	
005	0020098006	Front panel, combustion chamber	
006	2000801946	Screw, torx 4.2x13.5mm, (x25)	
007	0020049283	Sealing tape, front cover, 10x855x10	
008	0020097997	Washer side panel	
009	0020098004	Flue duct collector	
010	A000024262	Grommet, d=11mm, (kit of 3)	replaced by S1040900
010	S1040900	Grommet, d=11mm, (x3)	
011	0020034693	Wire gripping 057656	
012	S1206200	Hanging Bracket	
013	0020039198	Pressure safeguard/switch	
014	0020097999	Support	
015	0020033263	Silicon hose to manostat	
016	0020098002	Fan	
017	0020098003	Flue gas restrictor, D39	
018	S1047800	O ring	
019	0020097996	Connection kit	
020	0020098502	Seal kit and flow limiter 8L	1x gas sealing + 4x sealing ring 24x1,5 mm
021	0020034106	Reflex foil -II	

Wall-hung boilers (fan-assisted combi)

23MTV19 Gepard (N-RU)

07b - Connection parts



02 - 0 - 07 - 03

Wall-hung boilers (fan-assisted combi)

23MTV19 Gepard (N-RU)

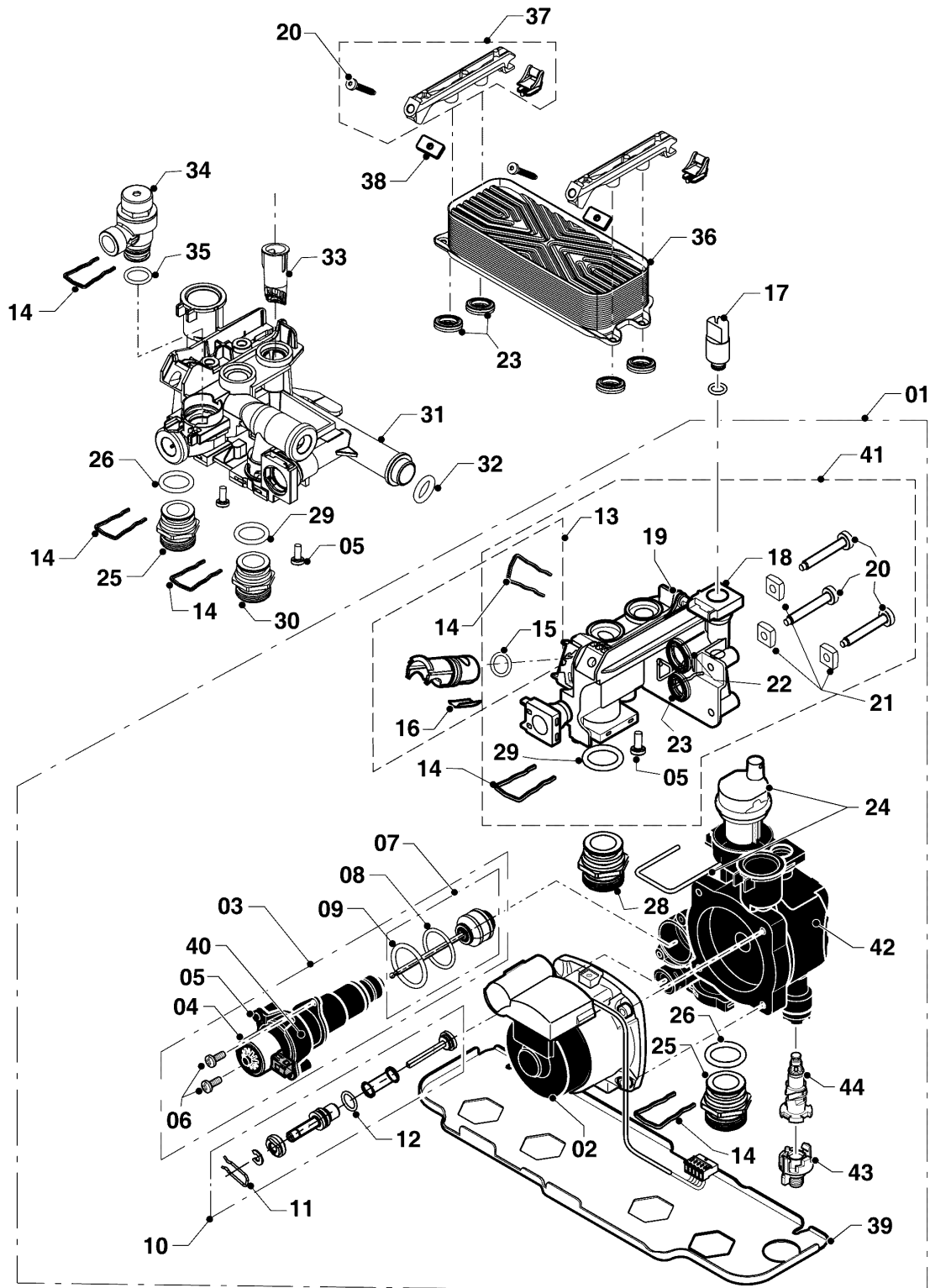
07b - Connection parts

Pos.	Article	Description	Note
001	0020098497	Support plate	
002	0020098498	Heating tap	
003	2000801883	Sealing ring, 3/4, (x10)	
004	0020098500	Connection, hot water	
005	0020098499	Cold water tap	
006	0020098501	Gas cock	
007	2000801942	Sealing ring, sanitary, (x100)	
008	0020026410	Clip	
009	2000802491	Fixing jig washer bag	4x14,2x18x1,5mm, 4x18,2x23x1,5mm, 5x16x24x1,5mm
010	-	-	not available
011	0020132433	Gas connestion G1/2 - G3/4	
012	0020132434	Gas connestion G3/4 - G3/4	

Wall-hung boilers (fan-assisted combi)

23MTV19 Gepard (N-RU)

08a - Hydraulic parts



02 - 0 - 08 - 01.04

Wall-hung boilers (fan-assisted combi)

23MTV19 Gepard (N-RU)

08a - Hydraulic parts

Pos.	Article	Description	Note
01	0020097208	Hydraulic block pump	available until sold out, then replaced by HE pump
01	0010030667	Pump, high-efficiency	In case of upgrading SD to HE pump please order also cable 0010032761!
01	0010032761	Cable	
02	0020097216	Motor pump	available until sold out, then replaced by HE pump
02	0010032795	Pump, high-efficiency	In case of upgrading SD to HE pump please order also cable 0010032761!
02	0010032761	Cable	
03	0020097214	Diverter valve 3 way	
04	S1053700	Motor, 3-way-valve	only for appliances manufactured until 07/2017. For appliances manufactured after 07/2017 available only in kit (pos. 03)
05	0020097185	Screw, (x10)	only for appliances manufactured until 07/2017. For appliances manufactured after 07/2017 available only in kit (pos. 03)
06	0020097228	Screw, (x10)	
07	0020097222	Valve for 3WV	only for appliances manufactured until 07/2017. For appliances manufactured after 07/2017 available only in kit (pos. 03)
08	0020097226	O-ring, (x10)	
09	0020097224	O-ring, (x10)	
10	0020014169	Bypass	
11	0020014164	Retaining clip, wire, (x10)	
12	0020014195	O-ring, (x10)	
13	0020097207	Sensor flow	
14	0020014176	Clip, (x10)	
15	0020097234	O-ring, (x10)	
16	0020097232	Filter, flow sensor, (x10)	
17	S5720500	Pressure sensor	
18	0020097202	O-ring, (x10)	
19	0020097197	Clip, (x10)	
20	0020097193	Screw, M5x33, (x10)	

Wall-hung boilers (fan-assisted combi)

23MTV19 Gepard (N-RU)

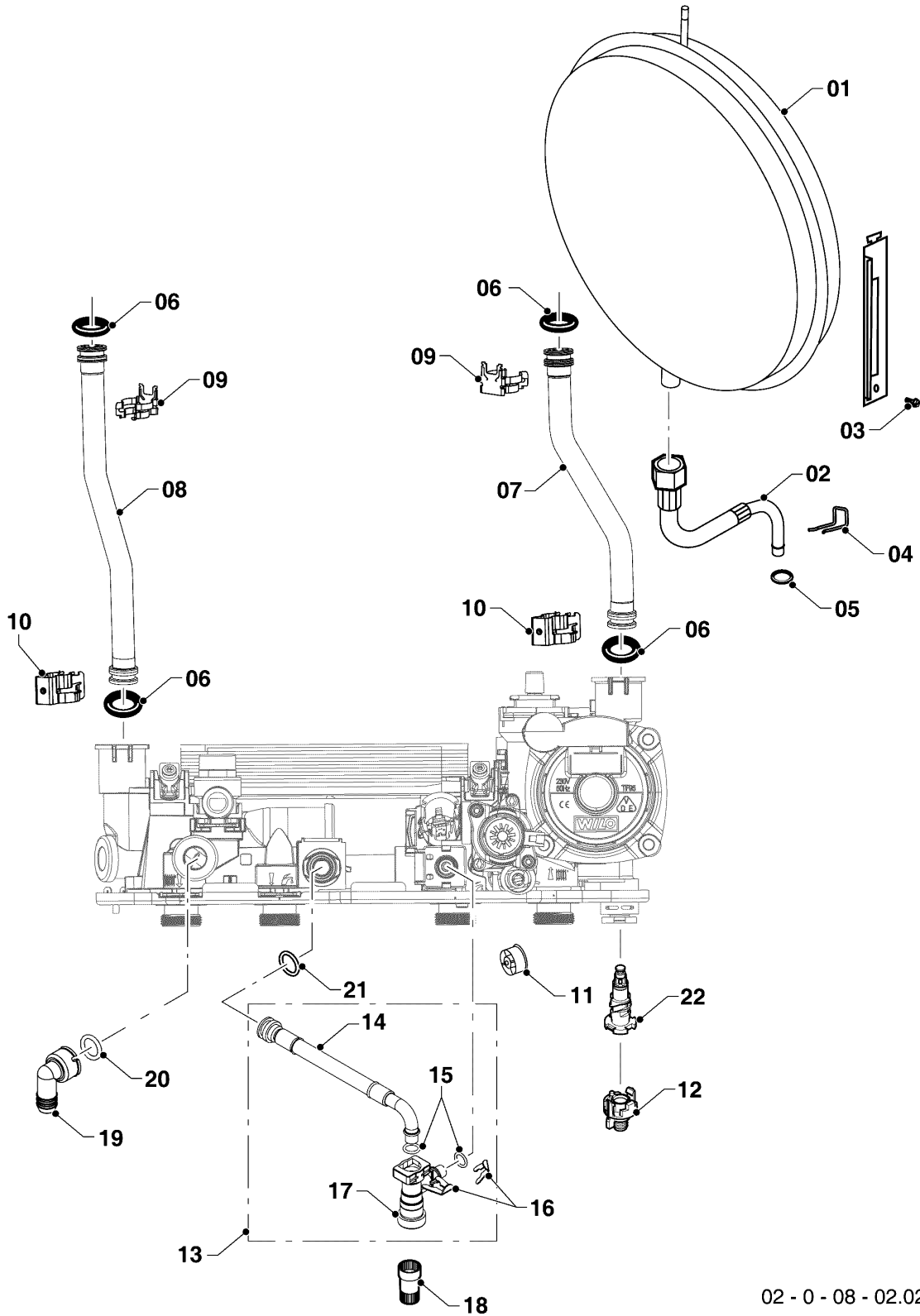
08a - Hydraulic parts

Pos.	Article	Description	Note
21	0020038229	Nut	
22	0020014182	Gasket, type C, (x10)	
23	0020014166	Gasket, type C, (x10)	
24	S1024500	Automatic de-aerator	
25	0020111665	Connection G3/4 brass	
26	2000801956	O-ring, (x10)	
28	0020111667	Connection, G3/4, brass, inlet DW	
29	2000801948	O-ring, (x20)	
30	0020111669	Connection, G3/4, brass, outlet DW	
31	0020097205	Hydraulic block, Din outlet	
32	0020097187	O-ring, (x10)	
33	0020097195	Filter	
34	0020047005	Pressure relief valve, 3 bar	
35	S1085600	O Ring, (x10)	
36	0020059452	Heat exchanger dhw (12 plates)	
37	0020097189	Hinge, kit of 2	
38	0020097191	Nut, M5-22, (x10)	
39	0020111661	Hydraulic Support plate	
40	0020124935	Flange, 3WV	only for appliances manufactured until 07/2017. For appliances manufactured after 07/2017 available only in kit (pos. 03)
41	0020221834	Hydroblock. input	
42	0020207137	Housing, pump R-DIN	
43	0020097336	Tap drain piece	
44	0020207138	Tap drain piece R-DIN	

Wall-hung boilers (fan-assisted combi)

23MTV19 Gepard (N-RU)

08b - Hydraulic parts



02 - 0 - 08 - 02.02

Wall-hung boilers (fan-assisted combi)

23MTV19 Gepard (N-RU)

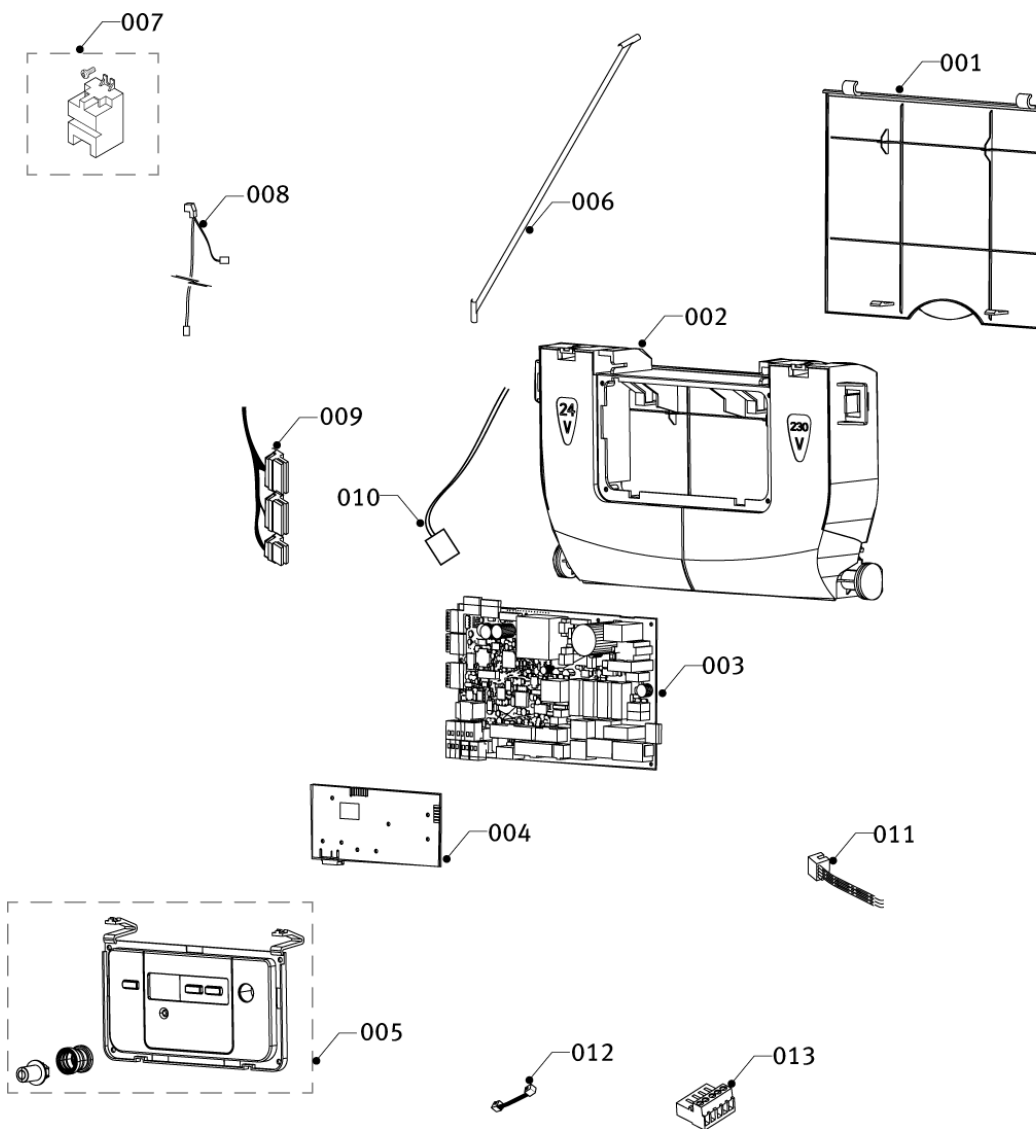
08b - Hydraulic parts

Pos.	Article	Description	Note
01	S1005000	Expansion vessel 5L	
02	0020097955	Hose	
03	2000801946	Screw, torx 4.2x13.5mm, (x25)	
04	0020097197	Clip, (x10)	
05	0020034114	O-Ring, 14x9,5x2,5, (x10)	
06	0020020741	O-ring	
07	0020098010	Tube	
08	0020098009	Tube	
09	0020039184	Thermostat Heating and clip	
10	0020018462	Clip, (x10)	
11	0020097954	Non-return valve	
12	0020097336	Tap drain piece	
13	0020097324	Filling loop	
14	0020101510	Hose	
15	0020097202	O-ring, (x10)	
16	2000801951	Clip, (x10)	
17	S1007000	Filling cock	
18	S1006800	Handle extension adapter	
19	0020097985	Tube	
20	S1085600	O Ring, (x10)	
21	S5466400	O-ring, (x20)	
22	0020207138	Tap drain piece R-DIN	

Wall-hung boilers (fan-assisted combi)

23MTV19 Gepard (N-RU)

12 - Control box



02-0-12-02

Wall-hung boilers (fan-assisted combi)

23MTV19 Gepard (N-RU)

12 - Control box

Pos.	Article	Description	Note
001	0020097963	Cover	
002	0020097961	Control box	
003	0020097962	Printed circuit	
004	0020097980	Interface card	
005	0020097979	Instrument panel	
006	S1009200	Strap, (x5)	
007	S5742700	Spark generator	
008	0020097984	Ignitor harness	
009	0020098000	Wiring harness	
010	0020098012	Wiring harness	
011	0020097978	Harness, supply	
012	0020084515	Cable tree (harness)	
013	0020084521	Plug 6 wires (x5)	