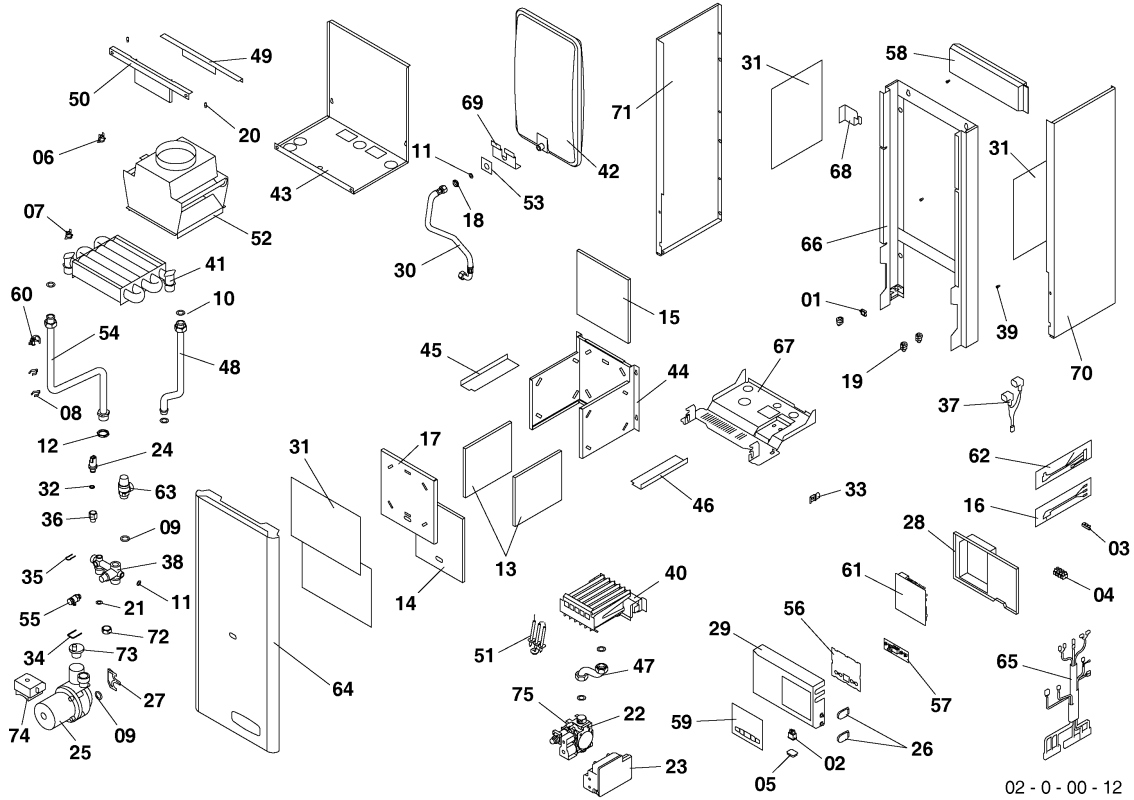


# Wall-hung boilers (conventional flue system)

12KOO/17 PANTHER

00 - General view



## Wall-hung boilers (conventional flue system)

12KOO/17 PANTHER

00 - General view

Pos.	Article	Description	Note
001	0020035605	Cable clip F1202 KWS-1N	
002	0020033233	Mains On/Off switch	
003	0020033239	Counterpart 6 poles - 6,3mm	
004	0020033240	Terminal board	
005	0020033241	Bubble of 1 pole switches	
006	0020033302	Thermostat bim. revers. 65 C	
007	0020027575	Thermostat bim.non-revers.	
008	0020033452	Thermofuse holder-diam 18mm	
009	0020033467	O-Ring, 18x3,5, (x10)	
010	0020027665	Sealing ring 24x15x2, (x10)	
011	0020033473	Gasket, 15x8x2, (x10)	
012	0020033624	Nut 3/4 low	
013	0020033524	Insulation SK 184x168	
014	0020033578	Insulation 185x218	
015	0020033580	Insulation 204x218	
016	0020033588	Wire Q009 KJ	
017	0020033780	Comb. chamber front cover 12	
018	0020033836	Nut 3/8 low	
019	0020033838	Plastic cable grommet	
020	0020033921	Limiting pin 70004250	
021	0020033932	Sealing ring, AFM 34 18x10x2, (x10)	
022	05641100	Gas valve G20/G30	
023	0020025300	El.ignition-chimn.537ABC-IP4 4	
024	S5720500	Pressure sensor	
025	0020023217	Pump	available until sold out, then replaced by HE pump
025	0010034148	Pump, high-efficiency	In case of upgrading SD to HE pump please order also adapter 0010030684!
025	0010030684	Plug	
026	0020034087	El. box grommet - divided	
027	0020034088	Clip - Pump	

## Wall-hung boilers (conventional flue system)

12KOO/17 PANTHER

00 - General view

Pos.	Article	Description	Note
028	0020034089	El. panel - back J	
029	0020034090	El. panel J	
030	0020034104	Hose arm. 3/8-3/8-elbow 30cm	
031	0020034106	Reflex foil -II	
032	0020034114	O-Ring, 14x9,5x2,5, (x10)	
033	0020034119	El. panel catch J	
034	0020034120	Clip - Pump	
035	0020034122	Pressure sensor clip	
036	0020034123	Pressure sensor reduction	
037	0020027600	Wire, supply pump	
038	0020034676	BLOCK 24KXO15-inlet	
039	0020034703	Delimitation stick - short	
040	0020034876	Burner 401.0929.02	
041	0020025314	Heating exchanger - heating 12KW	
042	0020027629	Expansion vessel, 5l	
043	0020035610	Base 12	
044	0020034879	Base of comb. cham. 12	
045	0020043892	Strip of comb. chamb. left	
046	0020043893	Strip of comb. chamb. right	
047	0020034880	Gas tube 12	
048	0020034881	Inlet tube CHW 12	
049	0020035611	Combustion breaker holder 12	
050	0020035612	Side holder 12	
051	0020034893	Wire Q-253 electrodes	
052	0020035613	SMOKE HAT 12 v. 15	
053	0020035614	Washer of exch. holder	
054	0020034921	Outlet tube HHW - K	
055	0020034971	Air vent 1/4-ART.347	

## Wall-hung boilers (conventional flue system)

12KOO/17 PANTHER

00 - General view

Pos.	Article	Description	Note
056	0020035005	El. panel filling P16	
057	0020027676	Display board - J16	
058	-	-	not available
059	0020044678	El. panel foil Panther 17	
060	0020035043	Mount sensor 18mm-JS3227/17	
061	0020027653	Control board 24KXV17	
062	0020035111	Line wire-set Z062	
063	0020025271	Pressure relief valve 300kPa	
064	0020035620	Cover, front 12KOO,KTO17 - SP	
065	0020035625	Wire 12KOO17	
066	0020035621	Frame, support 12KTO, KOO15 - SP	
067	0020035320	Beam, hydroblock 12KTO, KOO15 - SP	
068	-	-	not available
069	-	-	not available
070	0020035271	Cover, side R v.17 - SP	
071	0020035272	Cover, side L v.17 - SP	
072	0020035606	Blind flange 1/2 - v.12	
073	0020035044	Air valve-pump	
074	0020027645	El. box for pump WILO	only for standard pump 0020023217, not for HE pump
075	0020027678	Coil for SIT SIGMA 840,843,845	