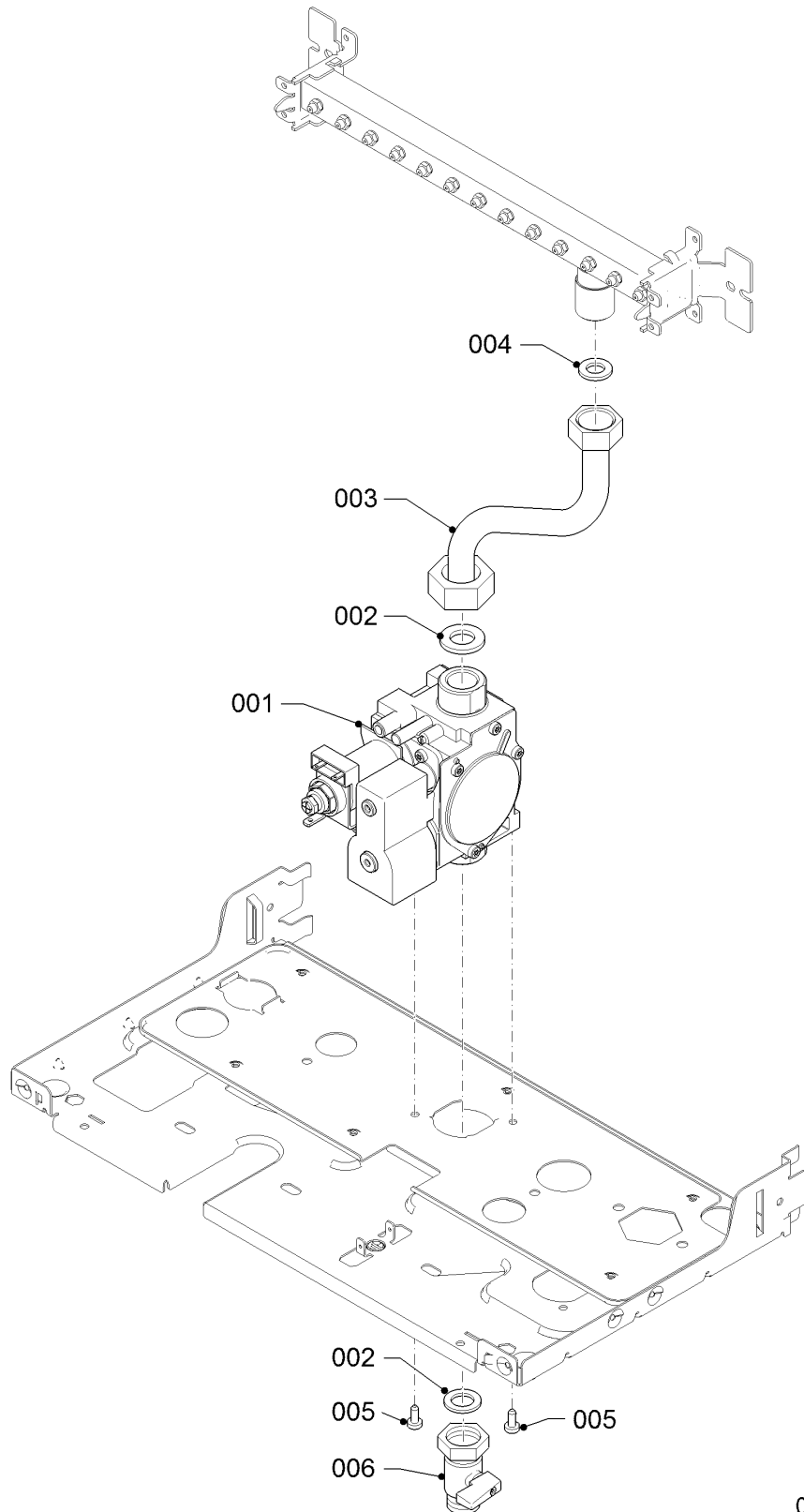


## Wall-hung boilers (fan-assisted combi)

12MTV20 Gepard/R1 (H-RU)

02 - Gas section



02 - 0 - 02 - 05

## Wall-hung boilers (fan-assisted combi)

12MTV20 Gepard/R1 (H-RU)

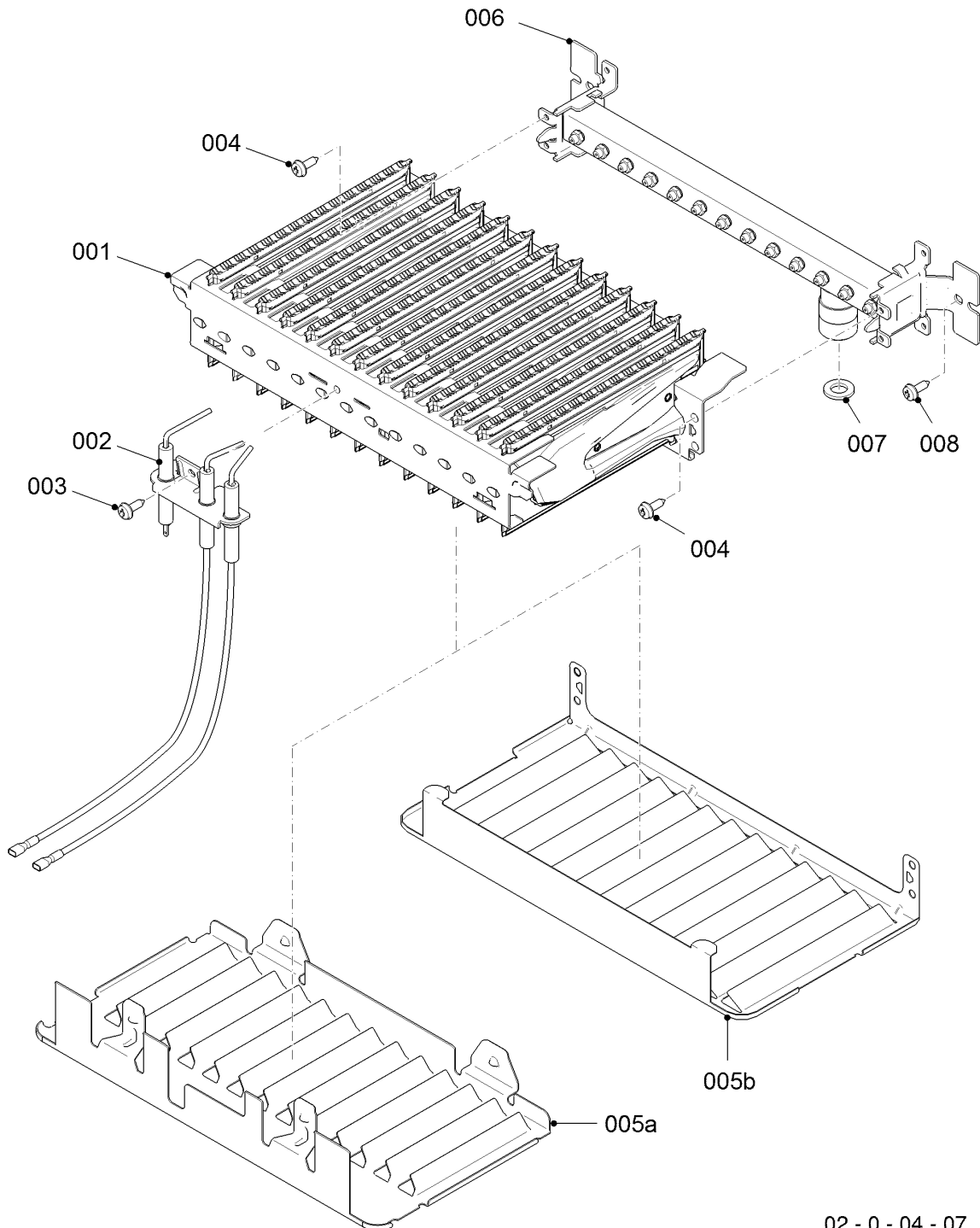
02 - Gas section

Pos.	Article	Description	Note
001	0020200660	Gas valve assembly	with parts 002
002	0020014193	Sealing ring, (x10)	
003	0020211596	Gas pipe	with parts 002, 004
004	0020047034	Sealing ring, (x10)	
005	S5490600	Screw, (x50)	
006	-	-	not for these appliances

## Wall-hung boilers (fan-assisted combi)

12MTV20 Gepard/R1 (H-RU)

04 - Burner



02 - 0 - 04 - 07

## Wall-hung boilers (fan-assisted combi)

12MTV20 Gepard/R1 (H-RU)

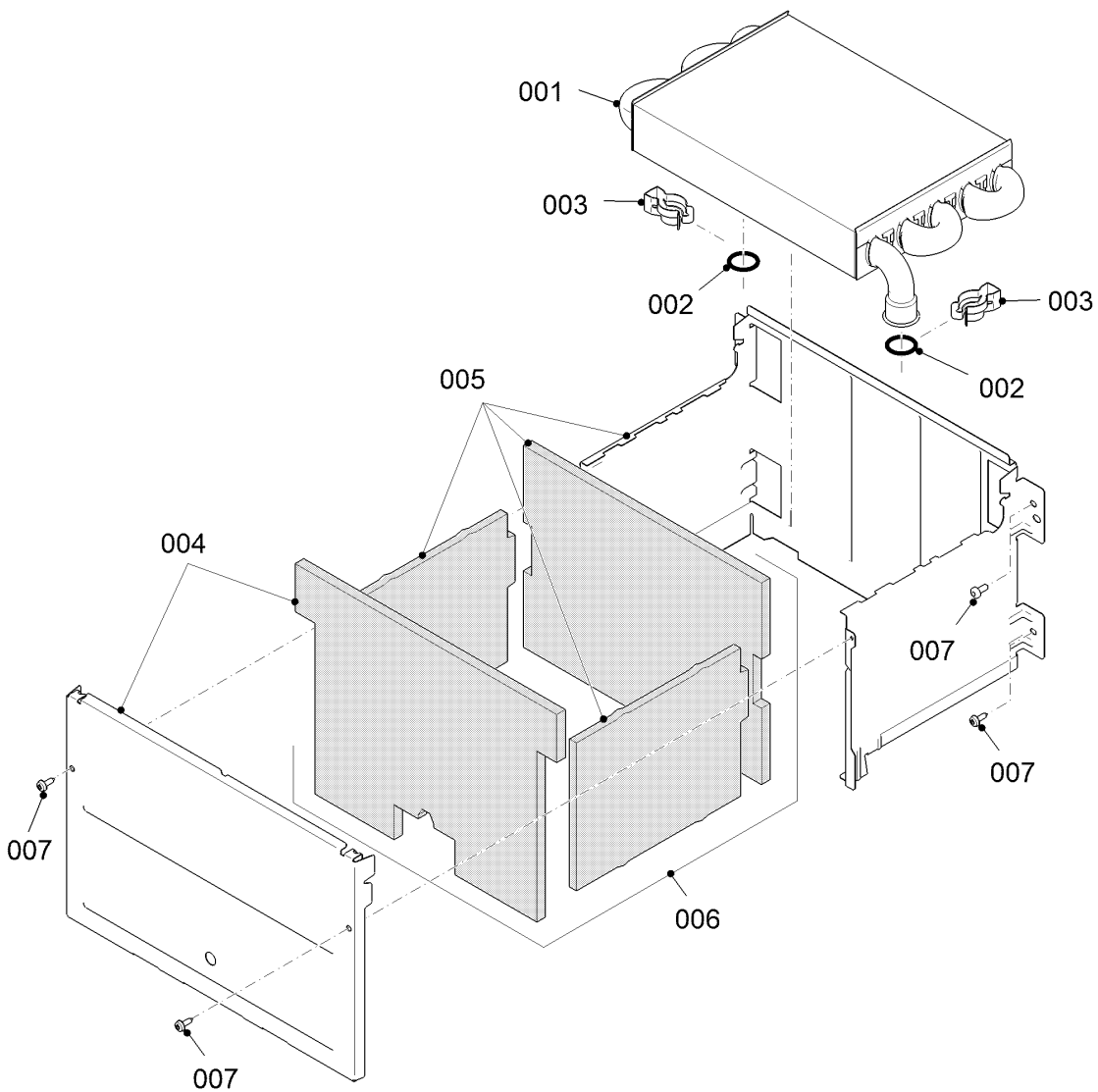
04 - Burner

Pos.	Article	Description	Note
000	0020211672	Conversion kit to G30/G31	not shown
000	0020211675	Conversion kit to G20/G25.1	not shown
001	0020049285	Burner, 14 blades (packaged)	12MTV20 Gepard/R1 (H-RU)
002	0020200638	Electrode	with parts 003
003	05493300	Screw, (x25)	
004	0020118709	Screw, 4 x 9.5, (x10)	
005	0020211592	Deflector	12MTV20 Gepard/R1 (H-RU), with parts 004
006	0020211584	Burner rail	12MTV20 Gepard/R1 (H-RU), with parts 004, 007, 008
007	0020047034	Sealing ring, (x10)	
008	0020211595	Screw, (x10)	

## Wall-hung boilers (fan-assisted combi)

12MTV20 Gepard/R1 (H-RU)

06 - Heat exchanger



02 - 0 - 06 - 05

## Wall-hung boilers (fan-assisted combi)

12MTV20 Gepard/R1 (H-RU)

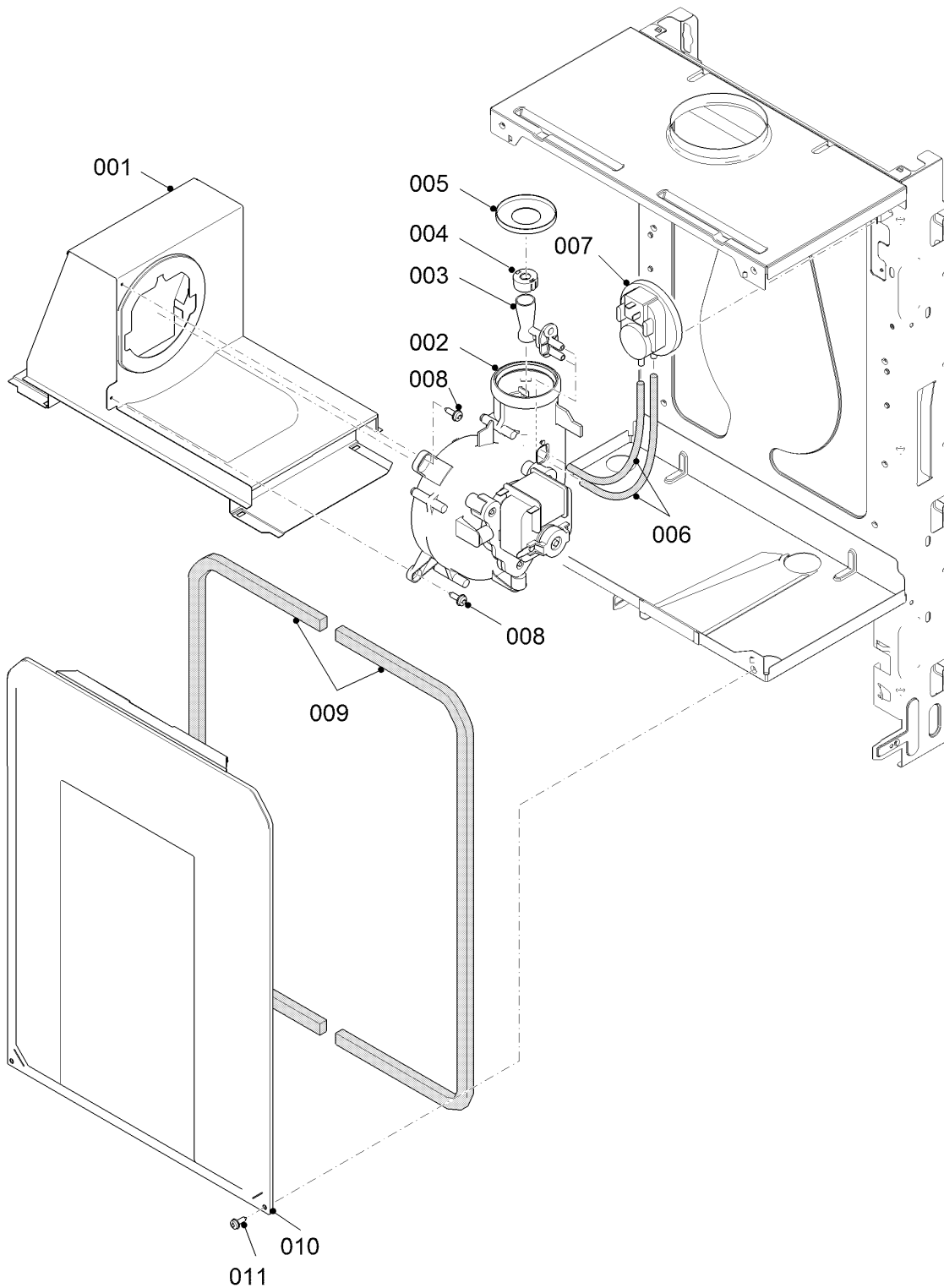
06 - Heat exchanger

Pos.	Article	Description	Note
001	0020142420	Heat exchanger	12MTV20 Gepard/R1 (H-RU), with parts 002
002	0020097234	O-ring, (x10)	
003	0020049289	Clip	
004	0020211602	Combustion chamber cover	12MTV20 Gepard/R1 (H-RU), with parts 007
005	0020211603	Combustion chamber	12MTV20 Gepard/R1 (H-RU), with parts 007
006	0020149449	Insulation (Set)	12MTV20 Gepard/R1 (H-RU)
007	0020211595	Screw, (x10)	

## Wall-hung boilers (fan-assisted combi)

12MTV20 Gepard/R1 (H-RU)

07a - Casing parts



02 - 0 - 07 - 13

## Wall-hung boilers (fan-assisted combi)

12MTV20 Gepard/R1 (H-RU)

07a - Casing parts

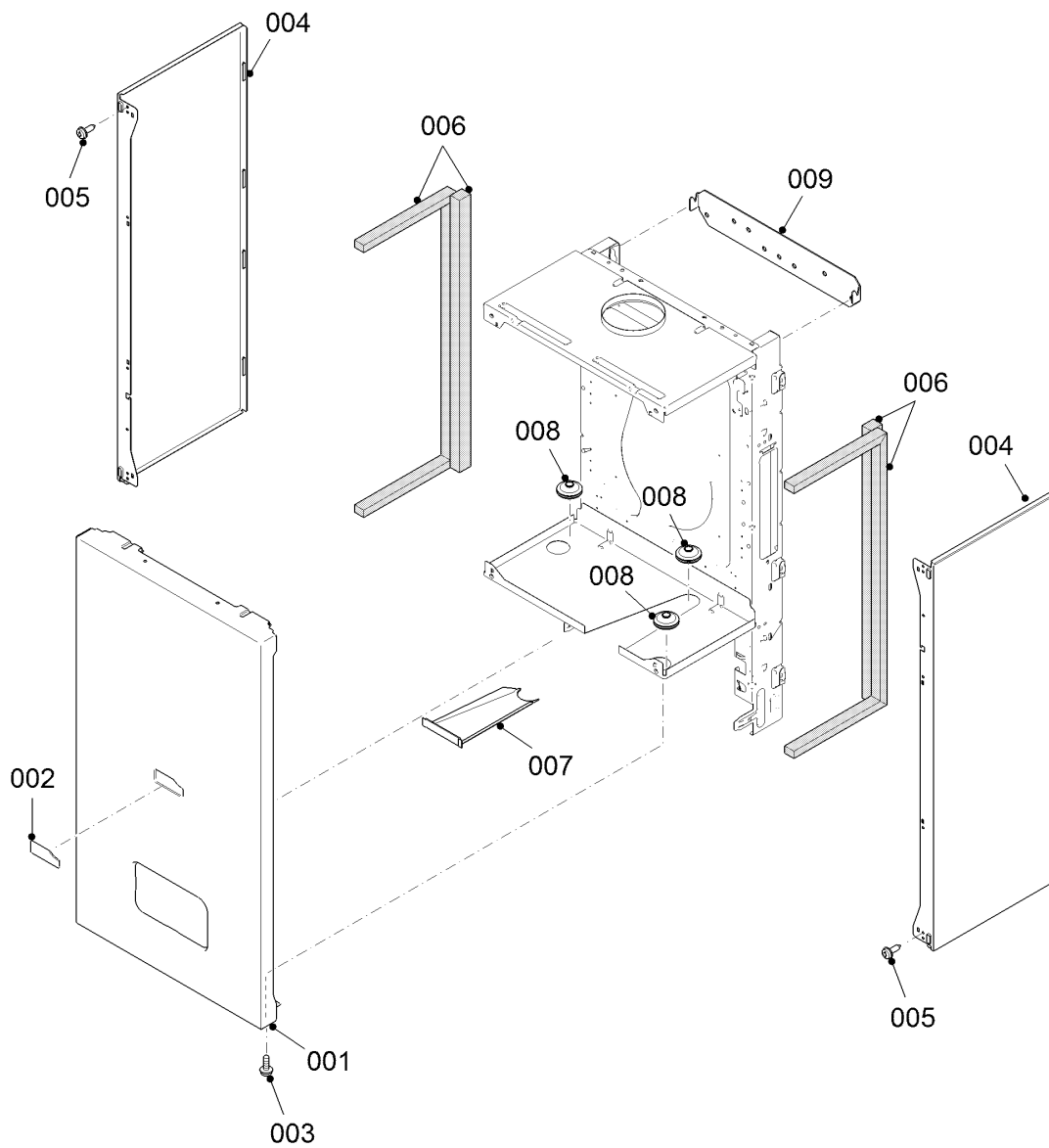
Pos.	Article	Description	Note
001	0020211605	Flue gas collector	12MTV20 Gepard/R1 (H-RU), with parts 008
002	0020211606	Fan	with parts 003, 008
003	0020211607	Pitot tube	
004	0020211587	Flue restrictor, (x10)	12MTV20 Gepard/R1 (H-RU)
005	0020211609	Flue restrictor 42mm	12MTV20 Gepard/R1 (H-RU)
006	0020211611	Hose (kit)	
007	0020211588	Pressure safeguard	
008	0020175576	Screw, (x10)	
009	0020211613	Gasket, (x2)	
010	0020211612	Cover	with parts 009, 011
011	0020211595	Screw, (x10)	



## Wall-hung boilers (fan-assisted combi)

12MTV20 Gepard/R1 (H-RU)

07b - Casing parts



02 - 0 - 07 - 14

## Wall-hung boilers (fan-assisted combi)

12MTV20 Gepard/R1 (H-RU)

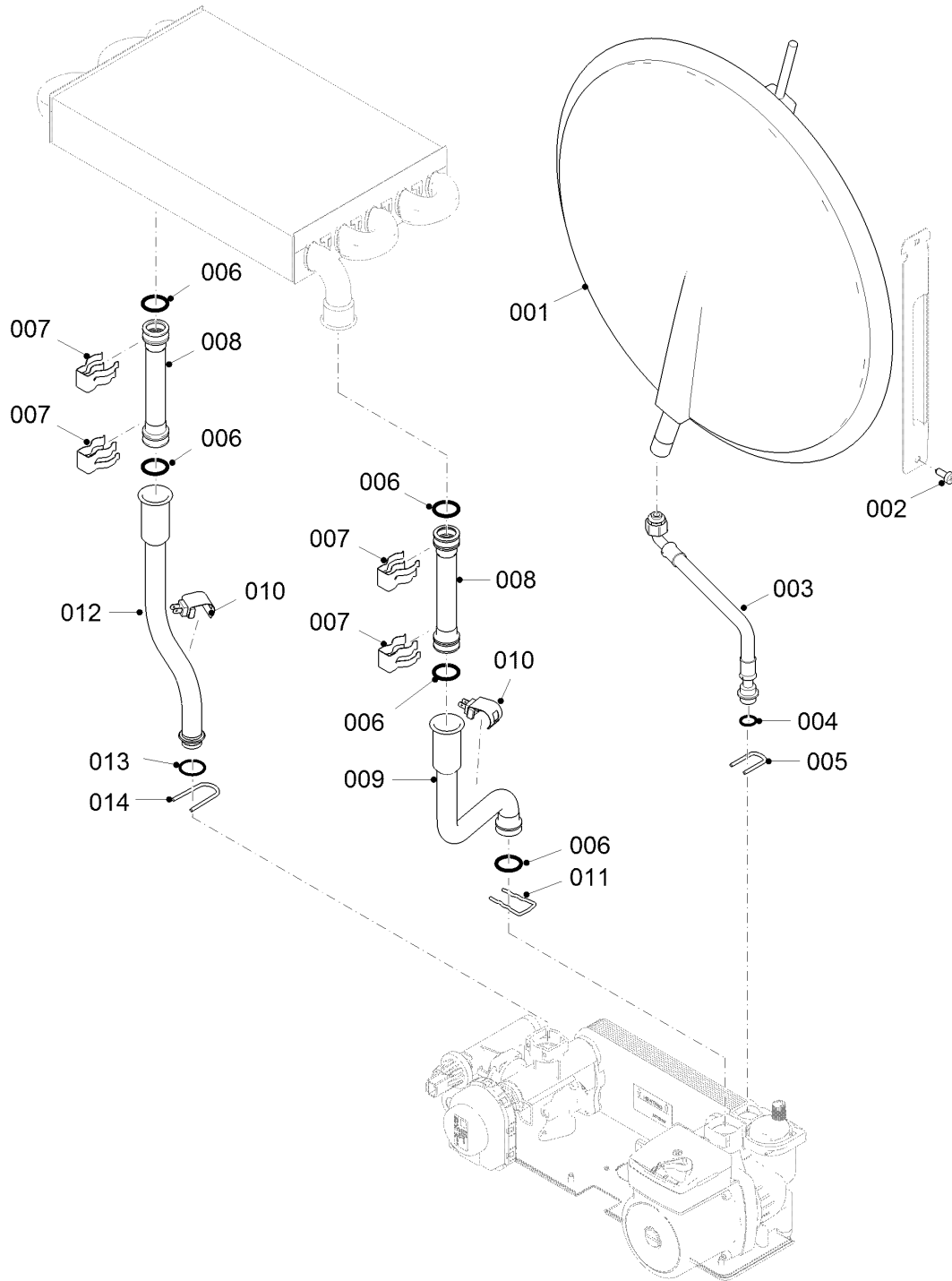
07b - Casing parts

Pos.	Article	Description	Note
001	0020211614	Front panel	with parts 003
002	0020195632	Name badge	
003	0020175576	Screw, (x10)	
004	0020211615	Side panel	with parts 005
005	0020211595	Screw, (x10)	
006	0020211616	Seal kit	
007	0020211617	Insert	
008	0020014192	Gasket, red large	
009	0020211619	Support	

# Wall-hung boilers (fan-assisted combi)

12MTV20 Gepard/R1 (H-RU)

08a - Hydraulic parts



02 - 0 - 08 - 53

## Wall-hung boilers (fan-assisted combi)

12MTV20 Gepard/R1 (H-RU)

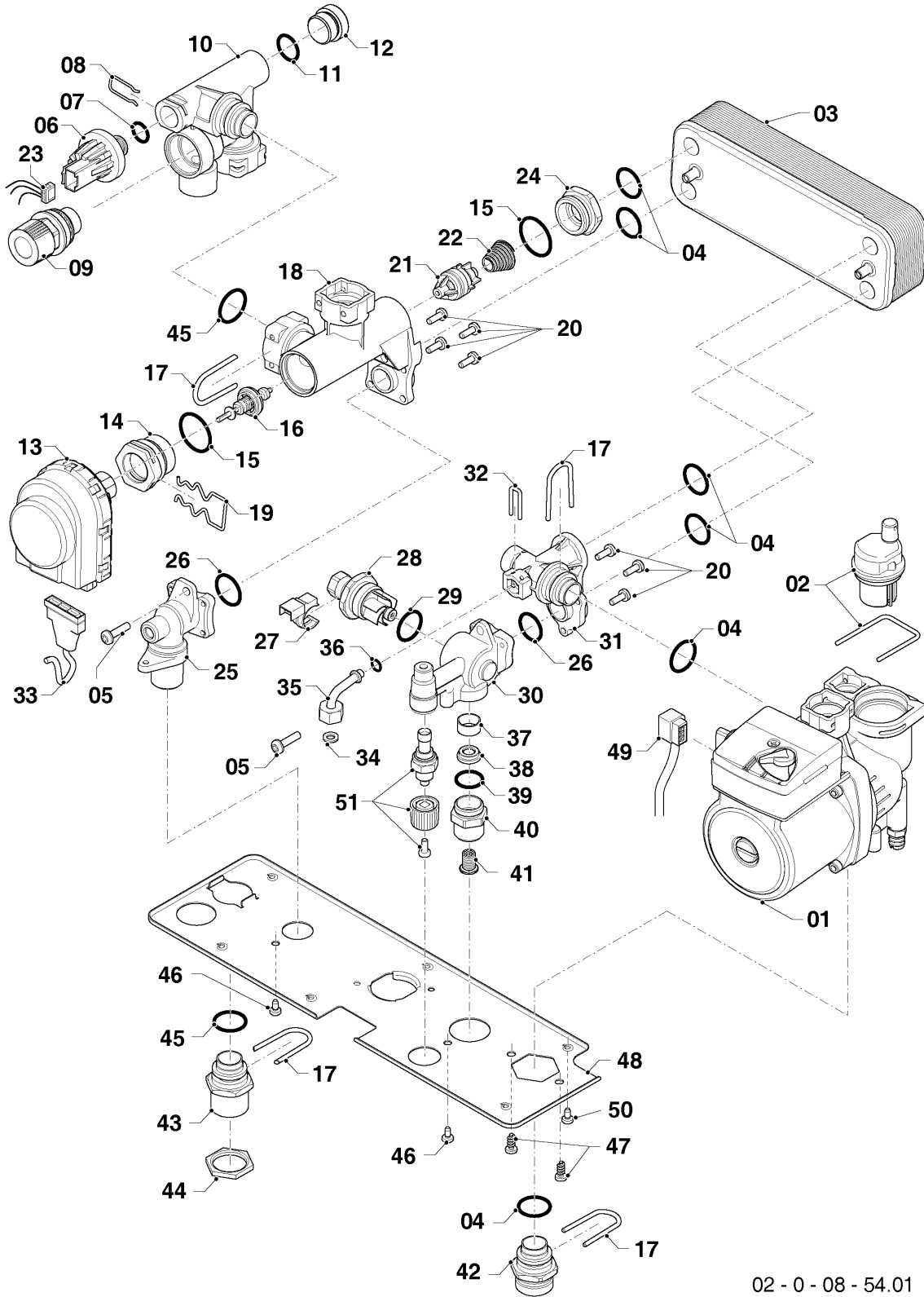
08a - Hydraulic parts

Pos.	Article	Description	Note
001	S1005000	Expansion vessel 5L	
002	0020211595	Screw, (x10)	
003	0020211620	Flexible tube	with parts 004, 005
004	0020118172	O-ring, (x10)	
005	0020061601	Clip, for expansion vessel, (x10)	
006	0020097234	O-ring, (x10)	
007	0020049289	Clip	
008	0020211621	Tube	with parts 006, 007
009	0020211624	Tube	12MTV20 Gepard/R1 (H-RU), with parts 006, 007, 011
010	0020200599	Sensor, NTC 19mm	
011	0020014176	Clip, (x10)	
012	0020211625	Tube	12MTV20 Gepard/R1 (H-RU), with parts 006, 007, 013, 014
013	0020118671	O-ring, (x10)	
014	0020061600	Clip, for pump connection nut, (x10)	

# Wall-hung boilers (fan-assisted combi)

12MTV20 Gepard/R1 (H-RU)

08b - Hydraulic parts



02 - 0 - 08 - 54.01

## Wall-hung boilers (fan-assisted combi)

12MTV20 Gepard/R1 (H-RU)

08b - Hydraulic parts

Pos.	Article	Description	Note
01	0020207146	Pump	with parts 002, 004, 017, 047
02	S1024500	Automatic de-aerator	
03	0020118595	Plate to plate heat exchanger	
04	05451700	O-ring, (x10)	
05	A000024274	Screw, M5x20 H/E plate, (x25)	
06	0020079644	Sensor	with parts 007, 008
07	0020014177	O-ring, (x10)	
08	0020014164	Retaining clip, wire, (x10)	
09	0020118190	Pressure relief valve	
10	0020118733	Prv block	
11	0020118737	O-ring, 17.17 x 1.78, (x10)	
12	0020118738	Cap	
13	0020118640	Diverter Valve Motor 3WV ELBI	
14	0020118728	Housing - 3wv	
15	0020118186	O-ring (x10)	
16	0020118196	Diverter valve	
17	0020061600	Clip, for pump connection nut, (x10)	
18	0020118739	Upper pastic block 3wv	
19	0020118655	Clip - 3 way valve motor pk10	
20	0020098269	Screw	
21	0020261477	Bypass, 480 mbar	
22	0020118740	By pass spring	
23	0020211946	Wiring harness	
24	0020118191	Cap	
25	0020118730	Bottom brass connection 3wv	
26	0020118182	O-ring (x10)	
27	0020118650	Flow sensor and cable	
28	0020118662	Impeller kit	
29	0020118718	O-ring, 17.86x2.62, (x10)	
30	0020118727	Cold water group bottom brass part	

## Wall-hung boilers (fan-assisted combi)

12MTV20 Gepard/R1 (H-RU)

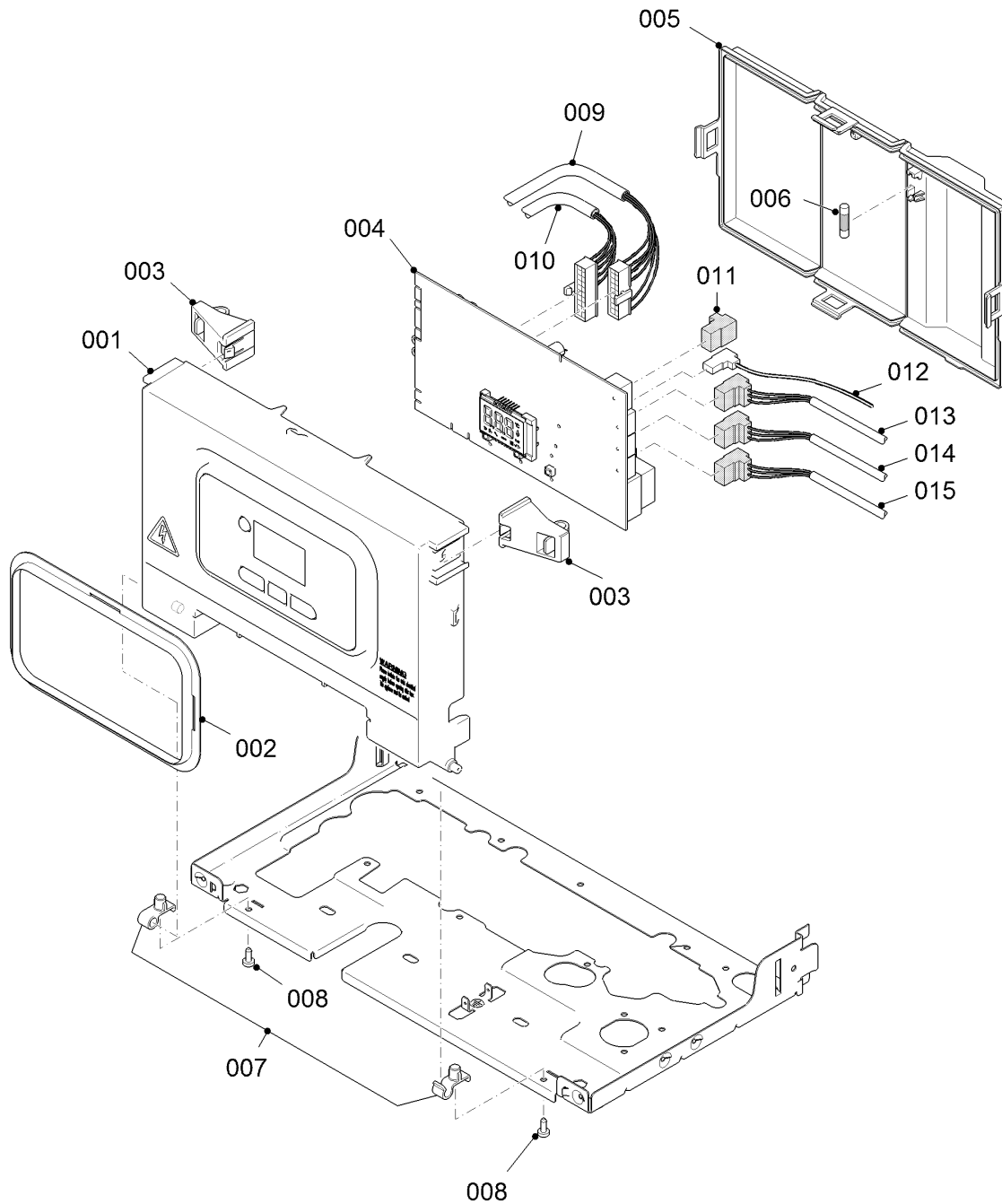
08b - Hydraulic parts

Pos.	Article	Description	Note
31	0020118721	Cold water group top plastics part	
32	0020118669	Hydroblock I pipe clips	
33	0020211948	Wiring harness, 3WV	
34	0020118670	Gasket-11x6x1,5(fill.valve conn.pipe)	
35	0020118668	Hydroblock I pipe (filling)	
36	0020118672	Gasket-5,28x1,78(fill.valve conn.pipe)	
37	0020118723	Ring, plastic	
38	0020014664	Flow limiter, 12l/min, (x10)	
39	0020118724	O-ring, 16x2	
40	0020118725	Water outlet nipple	
41	0020118726	Inlet filter	
42	0020061599	Nipple (3/4)	
43	0020118736	Outlet nipple	
44	0020038631	Nut, (kit of 4)	
45	0020118731	O-ring, 18.64x3.53, (x10)	
46	0020118710	Screw, M4 x 8	
47	0020118711	Screw, 5x12, (x10)	
48	0020207147	Support	with parts 046
49	0020207135	Power cable	
50	0020175576	Screw, (x10)	
51	0020119802	Filling Valve Group, Hydrolics, Atron	

# Wall-hung boilers (fan-assisted combi)

12MTV20 Gepard/R1 (H-RU)

12 - Control box



02 - 0 - 12 - 08



## Wall-hung boilers (fan-assisted combi)

12MTV20 Gepard/R1 (H-RU)

12 - Control box

Pos.	Article	Description	Note
001	0020211633	Casing, front	
002	0020211634	Spacer	
003	0020211637	Support	
004	0010038073	PCB	12MTV20 Gepard/R1 (H-RU), from serial number 211736001... Including
005	0020211635	Back panel	
006	0020079603	Fuse, 2,0 A T2H, (x10)	
007	0020211636	Hinge, (kit)	with parts 008
008	S5490600	Screw, (x50)	
009	0020211642	Wiring harness	
010	0020211946	Wiring harness	
011	0020198354	Connection, 3 pole 230V	
012	0020211640	Earth cable	
013	0020207135	Power cable	
014	0020211641	Cable	
015	0020211948	Wiring harness, 3WV	