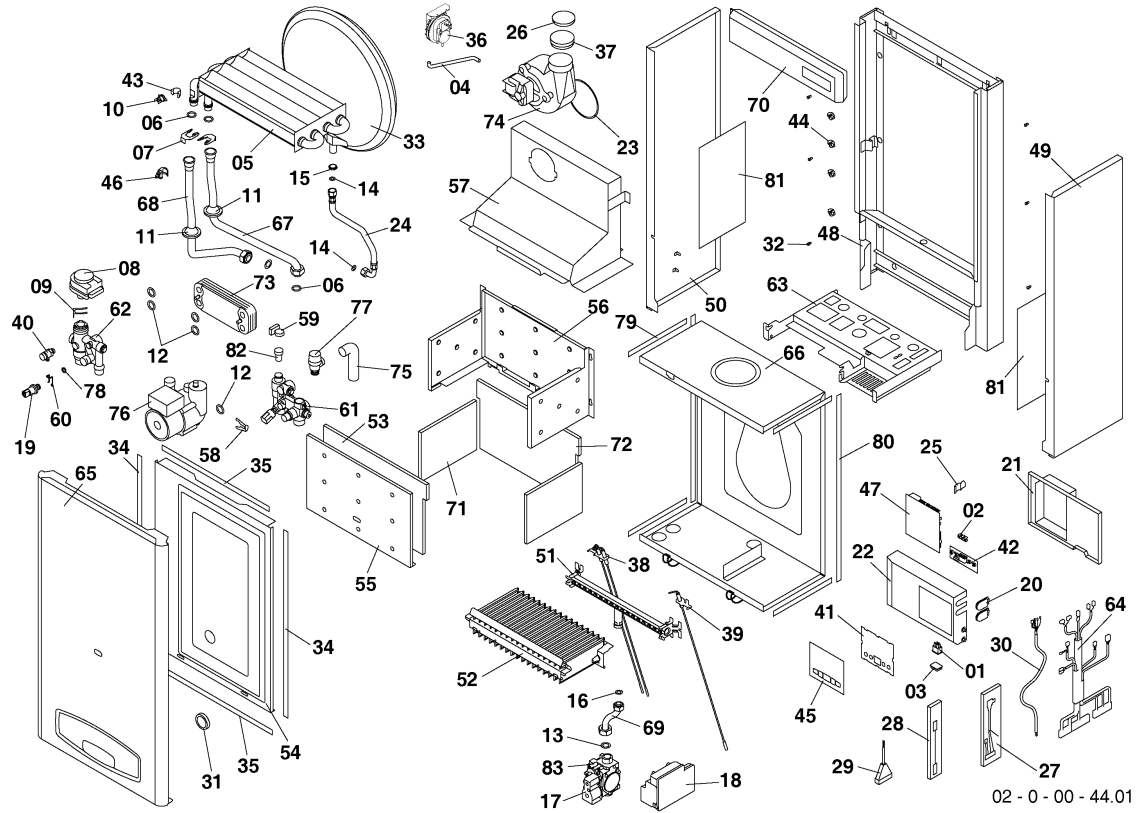


Wall-hung boilers (fan-assisted combi)

28KTV/17 PANTHER

00 - General view



02 - 0 - 00 - 44.01

Wall-hung boilers (fan-assisted combi)

28KTV/17 PANTHER

00 - General view

Pos.	Article	Description	Note
01	0020033233	Mains On/Off switch	
02	0020033239	Counterpart 6 poles - 6,3mm	
03	0020033241	Bubble of 1 pole switches	
04	0020033263	Silicon hose to manostat	
05	0020043215	Heat exchanger 105369	
06	0020043217	O-ring, (x10)	
07	0020033344	Clip for exchanger	
08	0020025278	Motor, 3way valve	
09	0020033430	Clip to electromotor block	
10	0020027575	Thermostat bim.non-revers.	
11	0020033462	Grommet I 326 14mm	
12	0020033467	O-Ring, 18x3,5, (x10)	
13	0020027665	Sealing ring 24x15x2, (x10)	
14	0020033473	Gasket, 15x8x2, (x10)	
15	0020033836	Nut 3/8 low	
16	0020033932	Sealing ring, AFM 34 18x10x2, (x10)	
17	05641100	Gas valve G20/G30	
18	0020023214	El. ignition	
19	S5720500	Pressure sensor	
20	0020034087	El. box grommet - divided	
21	0020034089	El. panel - back J	
22	0020034090	El. panel J	
23	0020034094	Gasket, fan J, (x5)	
24	0020034104	Hose arm. 3/8-3/8-elbow 30cm	
25	0020034119	El. panel catch J	
26	0020034144	Shield J	
27	0020027600	Wire, supply pump	
28	0020034152	Wire	
29	0020034153	Wire 3WV	
30	0020034155	Wire	
31	0020034697	Gasket with glass	
32	0020034703	Delimitation stick - short	
33	0020027670	Expansion vessel 7L-3/8	

Wall-hung boilers (fan-assisted combi)

28KTV/17 PANTHER

00 - General view

Pos.	Article	Description	Note
34	0020034752	Self adh. seal tape 15X570X10	
35	0020034753	Self adh. seal tape 15X378X10	
36	0020027605	Air pressure switch	
37	0020044002	Flue system reduction SD	Unavailable!
38	0020035585	Ignition electrode DIN-V17	
39	0020034961	Ionisation electrode DIN-V16	
40	0020034971	Air vent 1/4-ART.347	
41	0020035005	El. panel filling P16	
42	0020027676	Display board - J16	
43	0020035006	Thermostat clip AVB	
44	0020043707	Wire fitting with tape 175057	
45	0020044678	El. panel foil Panther 17	
46	0020035043	Mount sensor 18mm-JS3227/17	
47	0020027653	Control board 24KXV17	
48	-	-	not available
49	0020035332	Cover, side R 28KTV - SP	
50	0020035273	Cover, side L 28KTV17 - SP	
51	0020027656	Ramp of burner 28kW-1.20-17-DIN	
52	S1011600	Burner	
53	0020035058	Insulation of c.ch. 220x340	
54	0020035059	Turbo front cover 28J16	
55	0020035060	C.ch. front cover 28J16	
56	0020035061	Comb. chamber - spot welding	
57	0020035062	Flue interceptor 28J16	
58	0020035077	Pump clip NFSL 12/5-3PL12	
59	0020027652	Flow sensor	
60	0020035080	Clip pressure sensor	

Wall-hung boilers (fan-assisted combi)

28KTV/17 PANTHER

00 - General view

Pos.	Article	Description	Note
61	0020035088	Hydroblock input P17	
62	0020035089	Hydroblock output P17	
63	0020035091	Hydroblock beam - P17	
64	0020035095	Wire 24KTV17	
65	0020035275	Cover, front 28KTV17 - SP	
66	-	-	not available
67	0020035105	Tube HW input 28KTV17	
68	0020035106	Tube HW output 28KTV17	
69	-	-	not available
70	0020043720	Set - hanging v.17	
71	0020035109	Insulation of c.ch. side	
72	0020035110	Insulation of c.ch. rear	
73	0020043598	Plate heat exchanger E5N/12	
74	0020027683	Fan GR02410	
75	0020043931	Hose SP 130-20mm	
76	0020027682	Pump NFSL12/6 HEP-3	available untlil sold out, then replaced by HE pump
76	0010035667	Pump, high-efficiency	In case of upgrading SD to HE pump please order also adapter 0010030684!
76	0010030684	Plug	
77	0020035129	Safety valve, 300 kPa 1/2'-V17	
78	0020034114	O-Ring, 14x9,5x2,5, (x10)	
79	0020035052	SELF ADH.SEAL TAPE 10x15x207	
80	0020035053	SELF ADH.SEAL TAPE 10x15x570	
81	0020034106	Reflex foil -II	
82	0020035580	Flow sensor - turbine	
83	0020027678	Coil for SIT SIGMA 840,843,845	