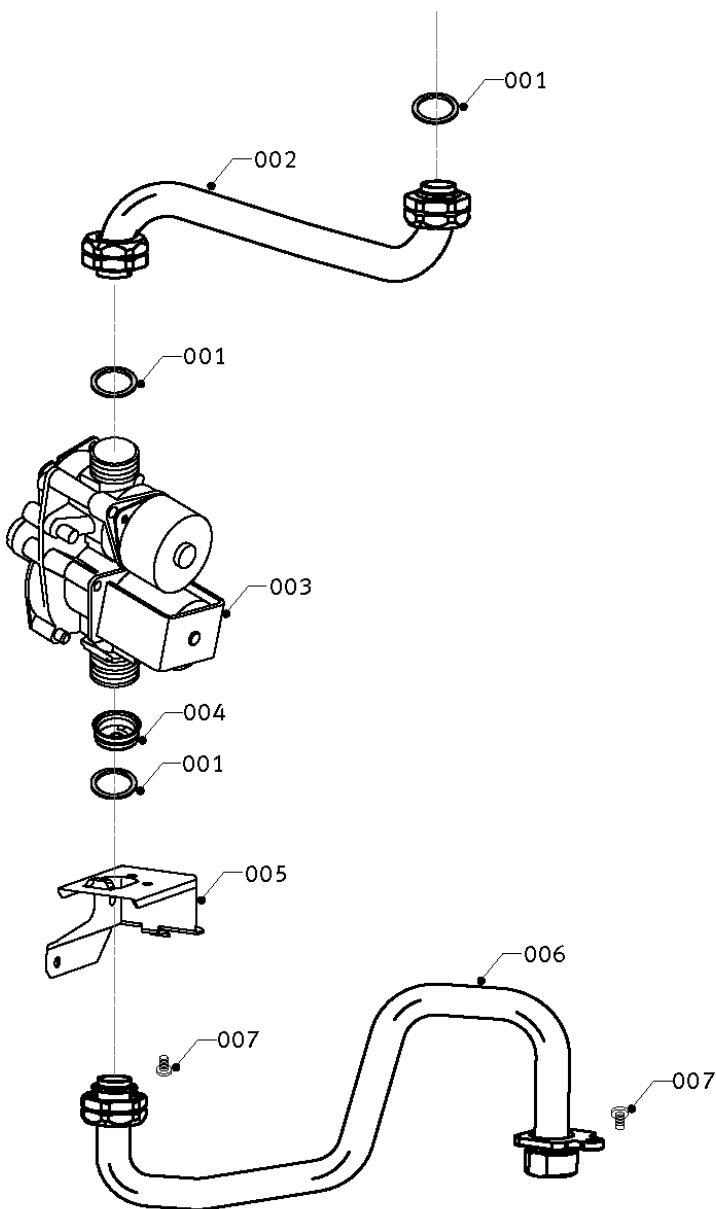


Wall-hung boilers (fan-assisted combi)

25KTV/19 PANTHER (N-RU)

02 - Gas section



02 - 0 - 02 - 02

Wall-hung boilers (fan-assisted combi)

25KTV/19 PANTHER (N-RU)

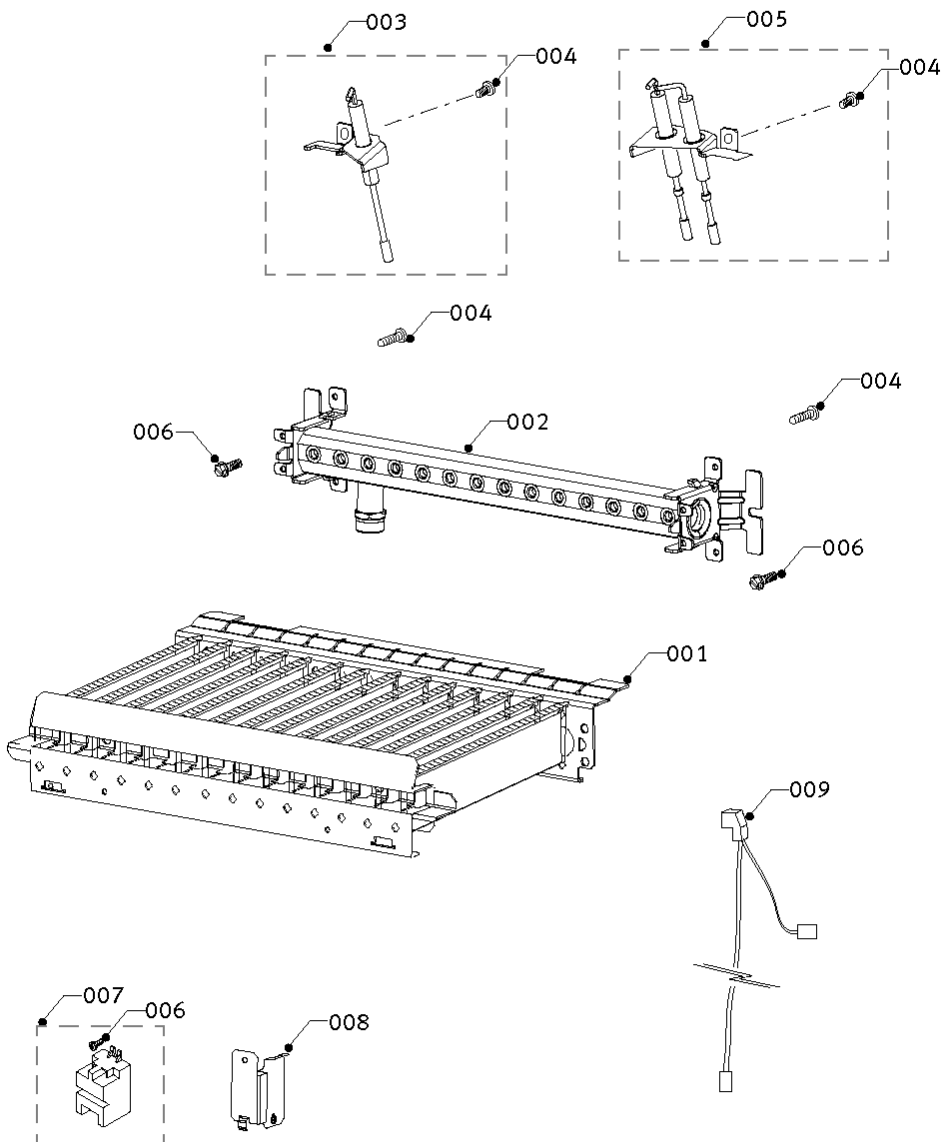
02 - Gas section

| Pos. | Article | Description | Note |
|------|------------|--|-------------------------|
| 001 | 0020137104 | Washer 13,7-18x1,5mm (x10) | |
| 002 | 0020097990 | Gas pipe | |
| 003 | 0020039188 | Gas valve assembly, with regulator 12mm | 25KTV/19 PANTHER (N-RU) |
| 004 | 0020132292 | Orifice plate, 5.8 mm | white, NGL |
| 004 | 0020132295 | Orifice plate, 5.95 mm | green, LPG |
| 005 | 0020097988 | Support gas valve | |
| 006 | 0020097989 | Gas Tube | |
| 007 | S5490600 | Screw, (x50) | |

Wall-hung boilers (fan-assisted combi)

25KTV/19 PANTHER (N-RU)

04 - Burner



02-0-04-03

Wall-hung boilers (fan-assisted combi)

25KTV/19 PANTHER (N-RU)

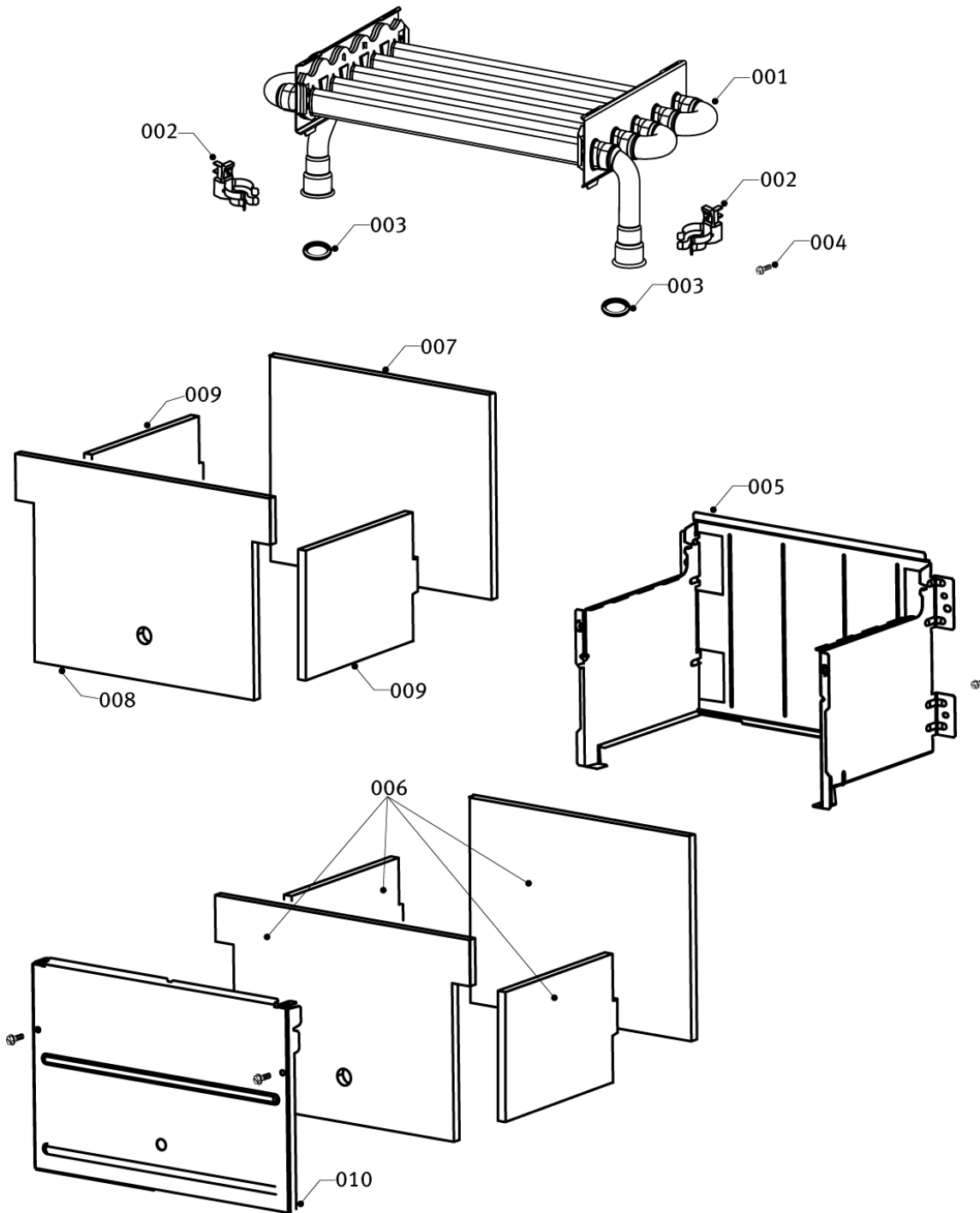
04 - Burner

| Pos. | Article | Description | Note |
|------|------------|----------------------------------|-------------------------|
| 001 | 0020035604 | Burner parts-U | |
| 002 | 0020097982 | Manifold - 1,30 | 25KTV/19 PANTHER (N-RU) |
| 003 | 2000801887 | Sensing flame electrode | |
| 004 | S5490600 | Screw, (x50) | |
| 005 | 2000801888 | Ignition flame electrode | |
| 006 | 2000801946 | Screw, torx 4.2x13.5mm, (x25) | |
| 007 | S5742700 | Spark generator | |
| 008 | 0020097983 | Support ignitor | |
| 009 | 0020097984 | Ignitor harness | |

Wall-hung boilers (fan-assisted combi)

25KTV/19 PANTHER (N-RU)

06 - Heat exchanger



02 - 0 - 06 - 02

Wall-hung boilers (fan-assisted combi)

25KTV/19 PANTHER (N-RU)

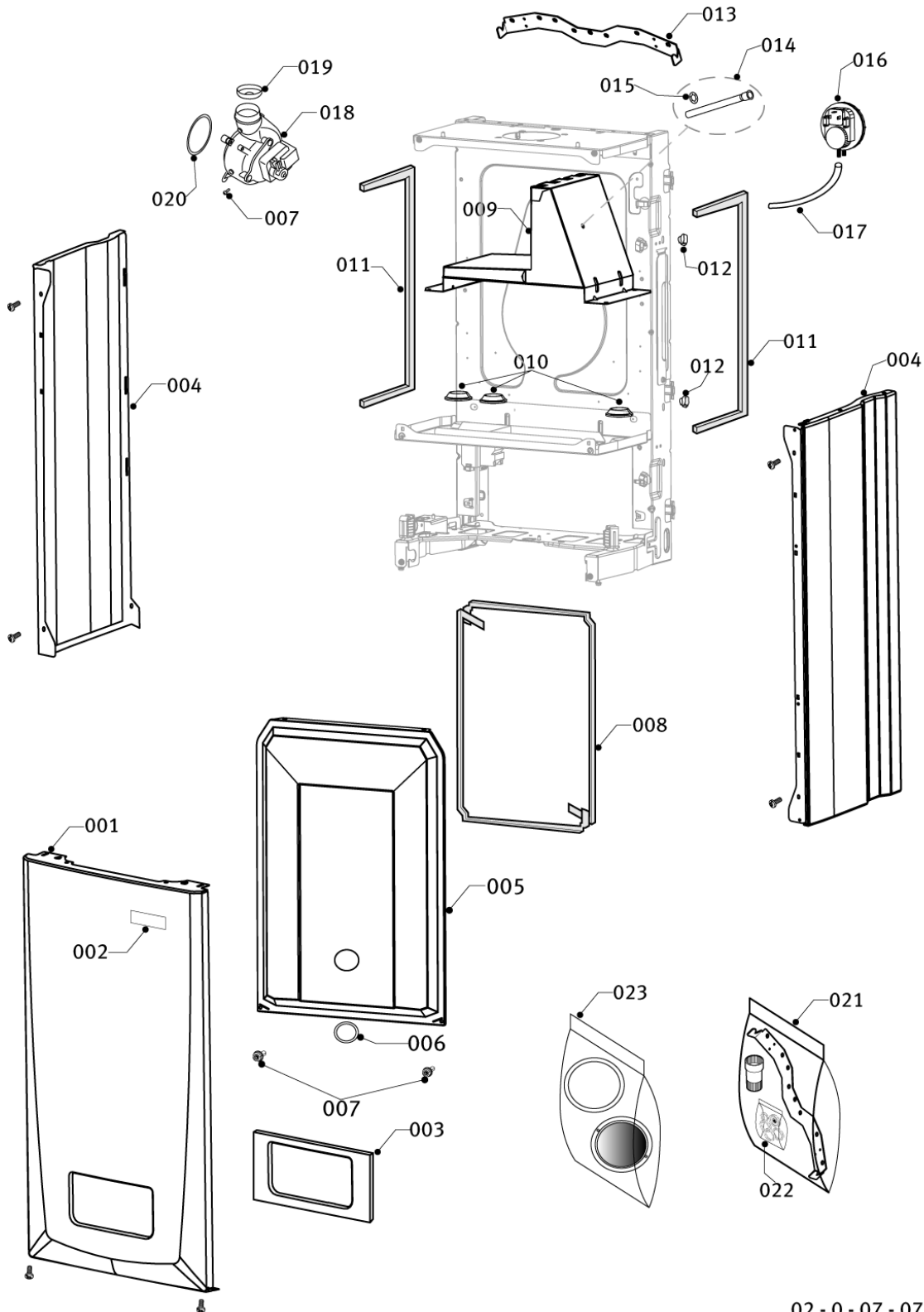
06 - Heat exchanger

| Pos. | Article | Description | Note |
|------|------------|---|------------------------|
| 001 | 0020142418 | Heat exchanger | |
| 002 | 0020039184 | Thermostat Heating and clip | |
| 003 | 0020020741 | O-ring | |
| 004 | 2000801946 | Screw, torx 4.2x13.5mm, (x25) | |
| 005 | 0020049305 | back combustion chamber (assembly cond.) | |
| 006 | 2000801882 | Insulation combustion chamber | replaced by 0020149449 |
| 006 | 0020149449 | Insulation (Set) | |
| 010 | 0020049286 | Frontsheet 24kW | |

Wall-hung boilers (fan-assisted combi)

25KTV/19 PANTHER (N-RU)

07a - Casing parts



02-0-07-07

Wall-hung boilers (fan-assisted combi)

25KTV/19 PANTHER (N-RU)

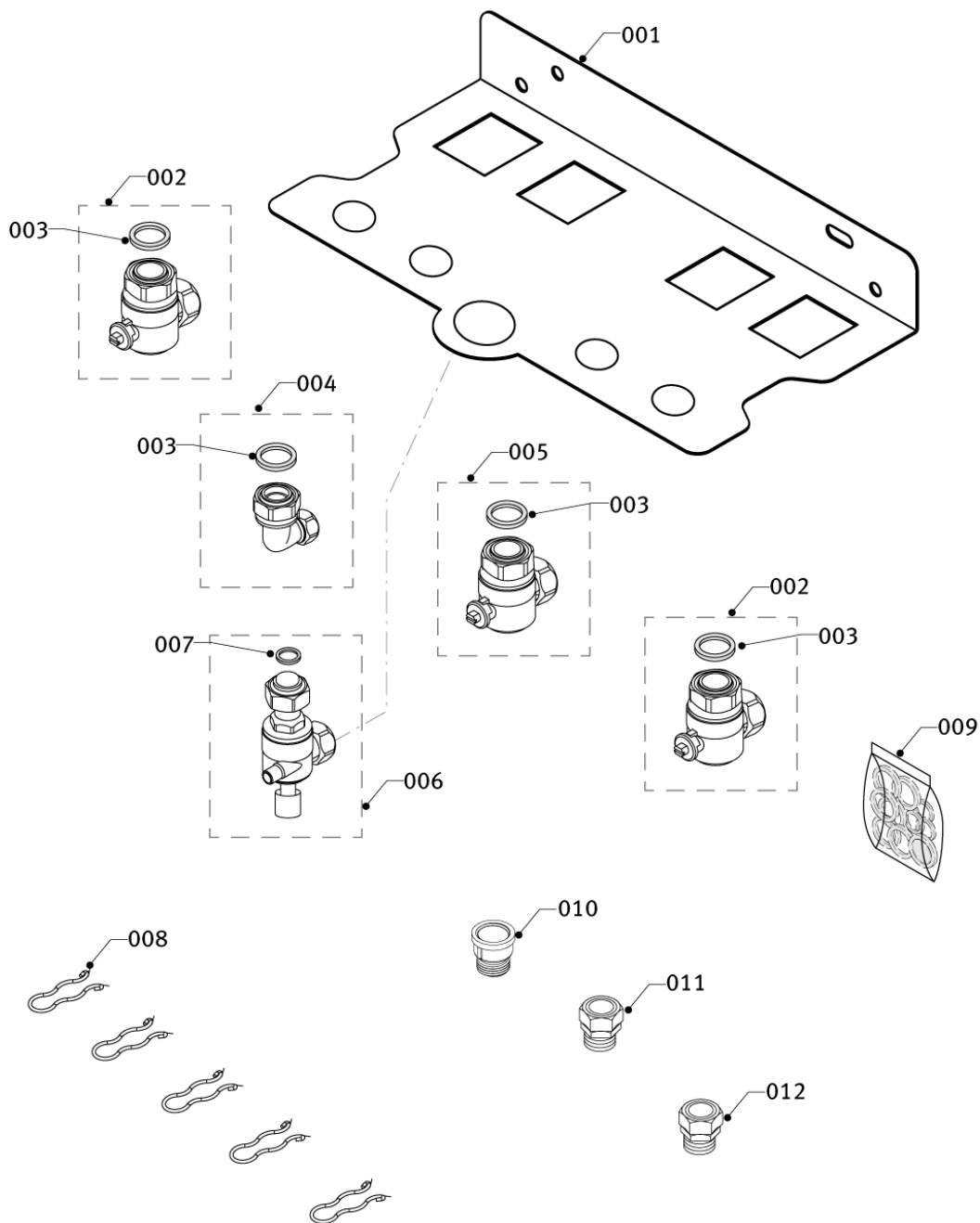
07a - Casing parts

| Pos. | Article | Description | Note |
|------|------------|--------------------------------------|--|
| 001 | 0020094081 | Front panel, PT shape white | |
| 002 | 0020035103 | Label PROTHERM 70 | |
| 003 | 0020101506 | Seal, front panel | |
| 004 | 0020094640 | Side panel, white VC SP | |
| 005 | 0020049282 | Front cover turbo P18 | |
| 006 | S1029600 | Inspection glass + seal | |
| 007 | 2000801946 | Screw, torx 4.2x13.5mm, (x25) | |
| 008 | 0020049283 | Sealing tape, front cover, 10x855x10 | 10x855x10mm |
| 009 | 0020049287 | Flue hood 24kW | |
| 010 | A000024262 | Grommet, d=11mm, (kit of 3) | replaced by S1040900 |
| 010 | S1040900 | Grommet, d=11mm, (x3) | |
| 011 | 0020097997 | Washer side panel | |
| 012 | 0020034693 | Wire gripping 057656 | |
| 013 | S1206200 | Hanging Bracket | |
| 014 | 0020049290 | Test nipple tube | |
| 015 | 0020049291 | Fastener | |
| 016 | S1008900 | Air pressure switch | |
| 017 | 0020033263 | Silicon hose to manostat | |
| 018 | 2000801920 | Fan without tachymeter | |
| 019 | 0020049297 | Restrictor | |
| 020 | S1047800 | O ring | |
| 021 | 0020097996 | Connection kit | |
| 022 | 0020098502 | Seal kit and flow limiter 8L | 1x gas sealing + 4x sealing ring 24x1,5 mm |

Wall-hung boilers (fan-assisted combi)

25KTV/19 PANTHER (N-RU)

07b - Connection parts



02 - 0 - 07 - 03

Wall-hung boilers (fan-assisted combi)

25KTV/19 PANTHER (N-RU)

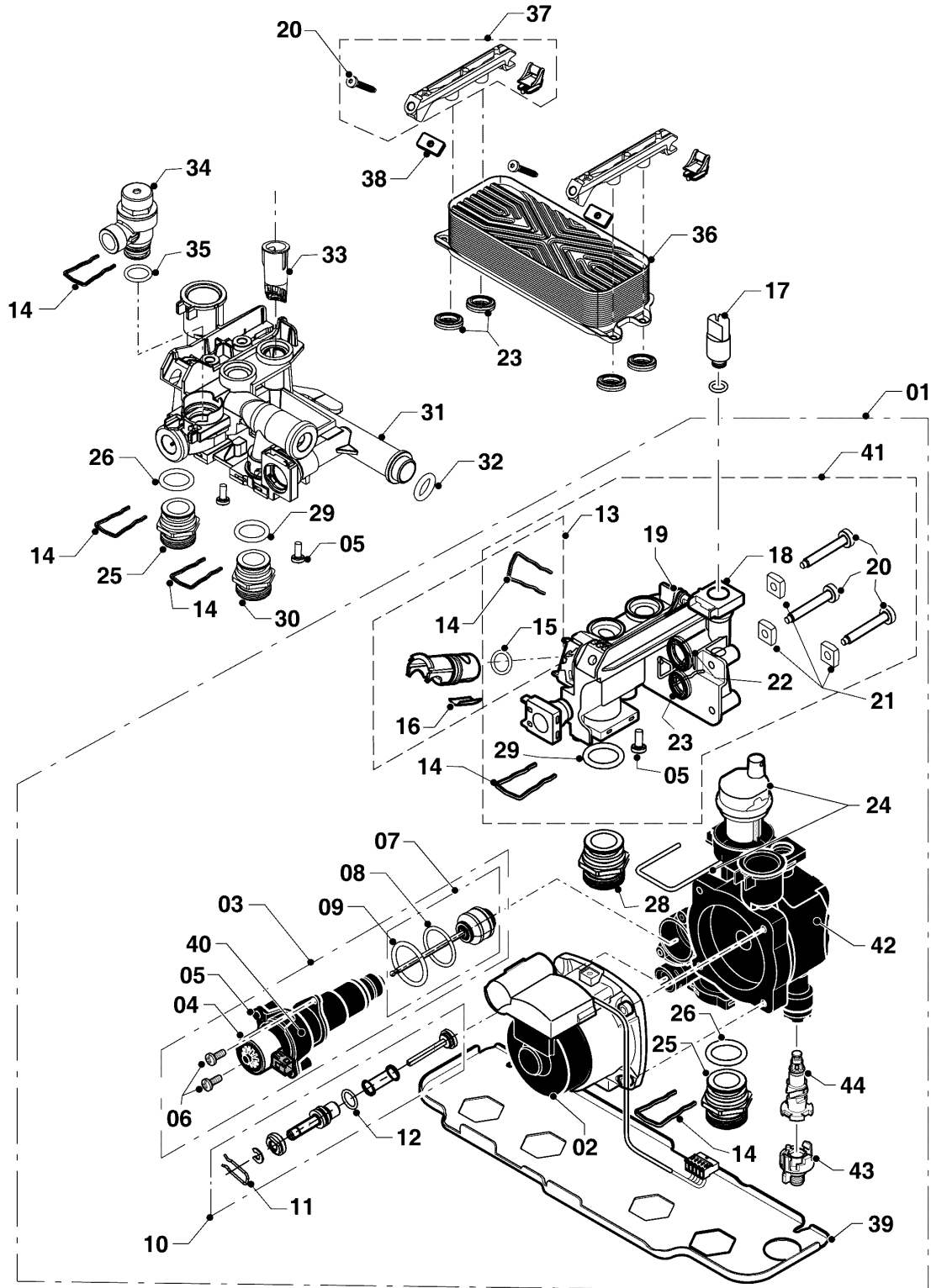
07b - Connection parts

| Pos. | Article | Description | Note |
|------|------------|--------------------------------|---|
| 001 | 0020098497 | Support plate | |
| 002 | 0020098498 | Heating tap | |
| 003 | 2000801883 | Sealing ring, 3/4, (x10) | |
| 004 | 0020098500 | Connection, hot water | |
| 005 | 0020098499 | Cold water tap | |
| 006 | 0020098501 | Gas cock | |
| 007 | 2000801942 | Sealing ring, sanitary, (x100) | |
| 008 | 0020026410 | Clip | |
| 009 | 2000802491 | Fixing jig washer bag | 4 pcs (14,2x18x1,5mm), 4 pcs (18,2x23x1,5mm), 5 pcs (16x24x1,5mm) |
| 010 | - | - | not available |
| 011 | 0020132433 | Gas connestion G1/2 - G3/4 | |
| 012 | 0020132434 | Gas connestion G3/4 - G3/4 | |

Wall-hung boilers (fan-assisted combi)

25KTV/19 PANTHER (N-RU)

08a - Hydraulic parts



02 - 0 - 08 - 01.04

Wall-hung boilers (fan-assisted combi)

25KTV/19 PANTHER (N-RU)

08a - Hydraulic parts

| Pos. | Article | Description | Note |
|------|------------|-----------------------------|--|
| 01 | 0020097208 | Hydraulic block pump | available until sold out, then replaced by HE pump |
| 01 | 0010030667 | Pump, high-efficiency | In case of upgrading SD to HE pump please order also cable 0010032761! |
| 01 | 0010032761 | Cable | |
| 02 | 0020097216 | Motor pump | available until sold out, then replaced by HE pump |
| 02 | 0010032795 | Pump, high-efficiency | In case of upgrading SD to HE pump please order also cable 0010032761! |
| 02 | 0010032761 | Cable | |
| 03 | 0020097214 | Diverter valve 3 way | |
| 04 | S1053700 | Motor, 3-way-valve | only for appliances manufactured until 07/2017. For appliances manufactured after 07/2017 available only in kit (pos. 03). |
| 05 | 0020097185 | Screw, (x10) | only for appliances manufactured until 07/2017. For appliances manufactured after 07/2017 available only in kit (pos. 03) |
| 06 | 0020097228 | Screw, (x10) | |
| 07 | 0020097222 | Valve for 3WV | only for appliances manufactured until 07/2017. For appliances manufactured after 07/2017 available only in kit (pos. 03) |
| 08 | 0020097226 | O-ring, (x10) | |
| 09 | 0020097224 | O-ring, (x10) | |
| 10 | 0020014169 | Bypass | |
| 11 | 0020014164 | Retaining clip, wire, (x10) | |
| 12 | 0020014195 | O-ring, (x10) | |
| 13 | 0020097207 | Sensor flow | |
| 14 | 0020014176 | Clip, (x10) | |
| 15 | 0020097234 | O-ring, (x10) | |
| 16 | 0020097232 | Filter, flow sensor, (x10) | |
| 17 | S5720500 | Pressure sensor | |
| 18 | 0020097202 | O-ring, (x10) | |
| 19 | 0020097197 | Clip, (x10) | |
| 20 | 0020097193 | Screw, M5x33, (x10) | |

Wall-hung boilers (fan-assisted combi)

25KTV/19 PANTHER (N-RU)

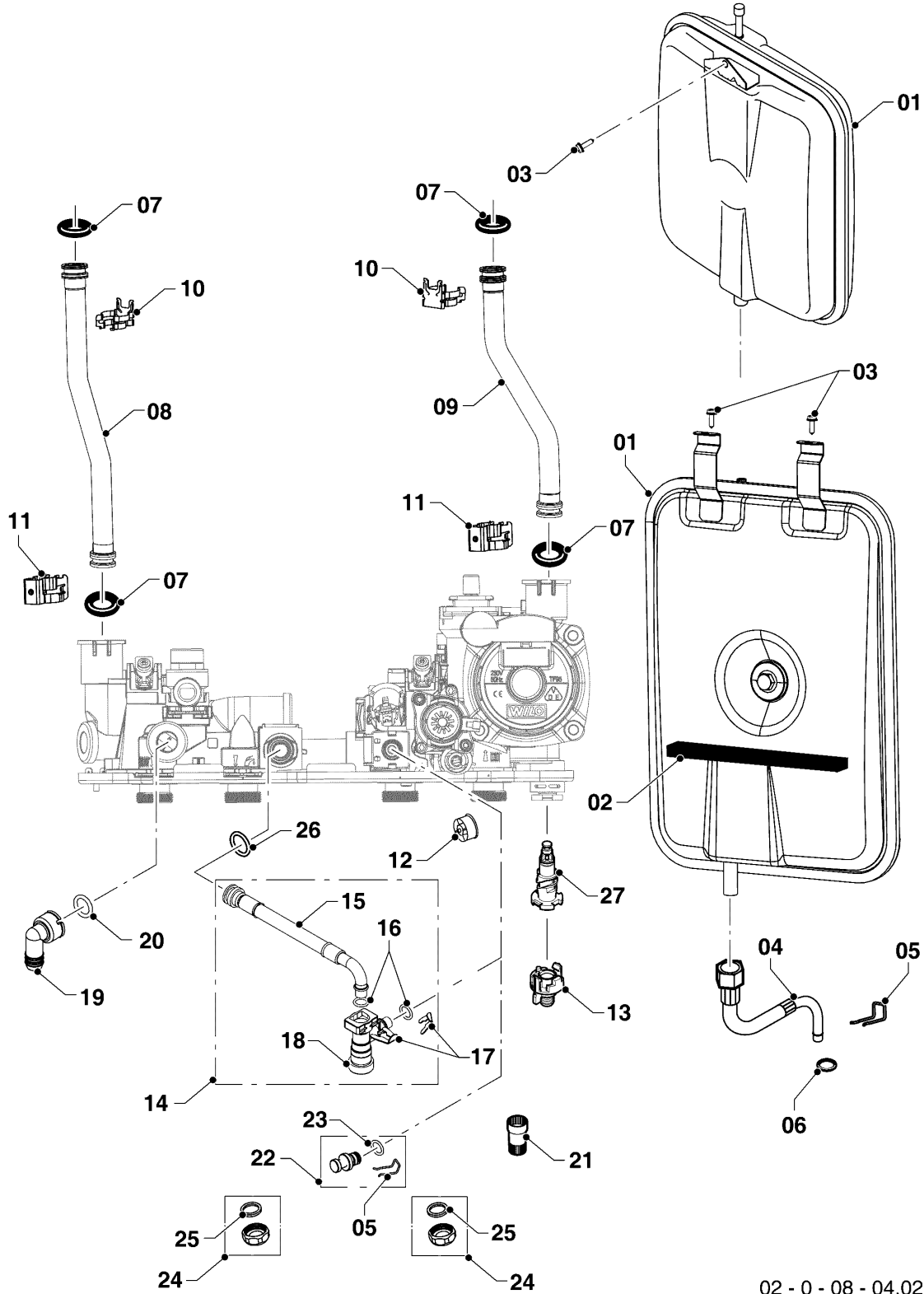
08a - Hydraulic parts

| Pos. | Article | Description | Note |
|------|------------|------------------------------------|---|
| 21 | 0020038229 | Nut | |
| 22 | 0020014182 | Gasket, type C, (x10) | |
| 23 | 0020014166 | Gasket, type C, (x10) | |
| 24 | S1024500 | Automatic de-aerator | |
| 25 | 0020111665 | Connection G3/4 brass | |
| 26 | 2000801956 | O-ring, (x10) | |
| 28 | 0020111667 | Connection, G3/4, brass, inlet DW | |
| 29 | 2000801948 | O-ring, (x20) | |
| 30 | 0020111669 | Connection, G3/4, brass, outlet DW | |
| 31 | 0020097205 | Hydraulic block, Din outlet | |
| 32 | 0020097187 | O-ring, (x10) | |
| 33 | 0020097195 | Filter | |
| 34 | 0020047005 | Pressure relief valve, 3 bar | |
| 35 | S1085600 | O Ring, (x10) | |
| 36 | 0020059452 | Heat exchanger dhw (12 plates) | |
| 37 | 0020097189 | Hinge, kit of 2 | |
| 38 | 0020097191 | Nut, M5-22, (x10) | |
| 39 | 0020111661 | Hydraulic Support plate | |
| 40 | 0020124935 | Flange, 3WV | only for appliances manufactured until 07/2017. For appliances manufactured after 07/2017 available only in kit (pos. 03) |
| 41 | 0020221834 | Hydroblock. input | |
| 42 | 0020207137 | Housing, pump R-DIN | |
| 43 | 0020097336 | Tap drain piece | |
| 44 | 0020207138 | Tap drain piece R-DIN | |

Wall-hung boilers (fan-assisted combi)

25KTV/19 PANTHER (N-RU)

08b - Hydraulic parts



02 - 0 - 08 - 04.02

Wall-hung boilers (fan-assisted combi)

25KTV/19 PANTHER (N-RU)

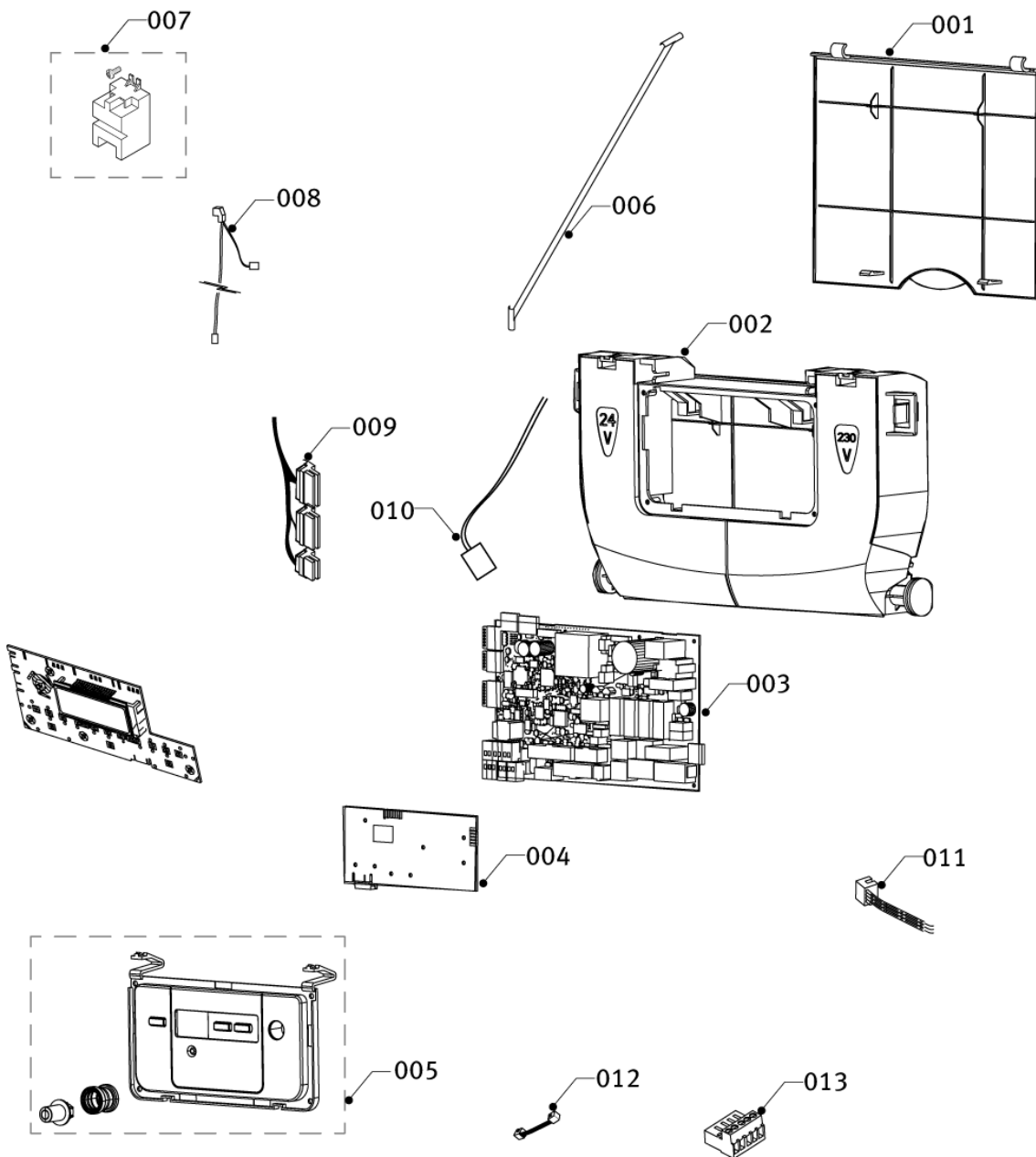
08b - Hydraulic parts

| Pos. | Article | Description | Note |
|------|------------|-------------------------------|------|
| 01 | 0020098253 | Expansion vessel 7L | |
| 02 | 0020098254 | Seal | |
| 03 | 2000801946 | Screw, torx 4.2x13.5mm, (x25) | |
| 04 | 0020097955 | Hose | |
| 05 | 0020097197 | Clip, (x10) | |
| 06 | 0020034114 | O-Ring, 14x9,5x2,5, (x10) | |
| 07 | 0020020741 | O-ring | |
| 08 | 0020097987 | Tube | |
| 09 | 0020097986 | Tube | |
| 10 | 0020039184 | Thermostat Heating and clip | |
| 11 | 0020018462 | Clip, (x10) | |
| 12 | 0020097954 | Non-return valve | |
| 13 | 0020097336 | Tap drain piece | |
| 14 | 0020097324 | Filling loop | |
| 15 | 0020101510 | Hose | |
| 16 | 0020097202 | O-ring, (x10) | |
| 17 | 2000801951 | Clip, (x10) | |
| 18 | S1007000 | Filling cock | |
| 19 | 0020097985 | Tube | |
| 20 | S1085600 | O Ring, (x10) | |
| 21 | S1006800 | Handle extension adapter | |
| 26 | S5466400 | O-ring, (x20) | |
| 27 | 0020207138 | Tap drain piece R-DIN | |

Wall-hung boilers (fan-assisted combi)

25KTV/19 PANTHER (N-RU)

12 - Control box



02 - 0 - 12 - 01.01

Wall-hung boilers (fan-assisted combi)

25KTV/19 PANTHER (N-RU)

12 - Control box

| Pos. | Article | Description | Note |
|------|------------|----------------------|------|
| 001 | 0020097963 | Cover | |
| 002 | 0020097961 | Control box | |
| 003 | 0020097962 | Printed circuit | |
| 004 | 0020098259 | Interface card | |
| 005 | 0020098255 | Instrument panel | |
| 006 | S1009200 | Strap, (x5) | |
| 007 | S5742700 | Spark generator | |
| 008 | 0020097984 | Ignitor harness | |
| 009 | 0020098258 | Wiring harness | |
| 010 | 0020098012 | Wiring harness | |
| 011 | 0020097978 | Harness, supply | |
| 012 | 0020084515 | Cable tree (harness) | |
| 013 | 0020084521 | Plug 6 wires (x5) | |