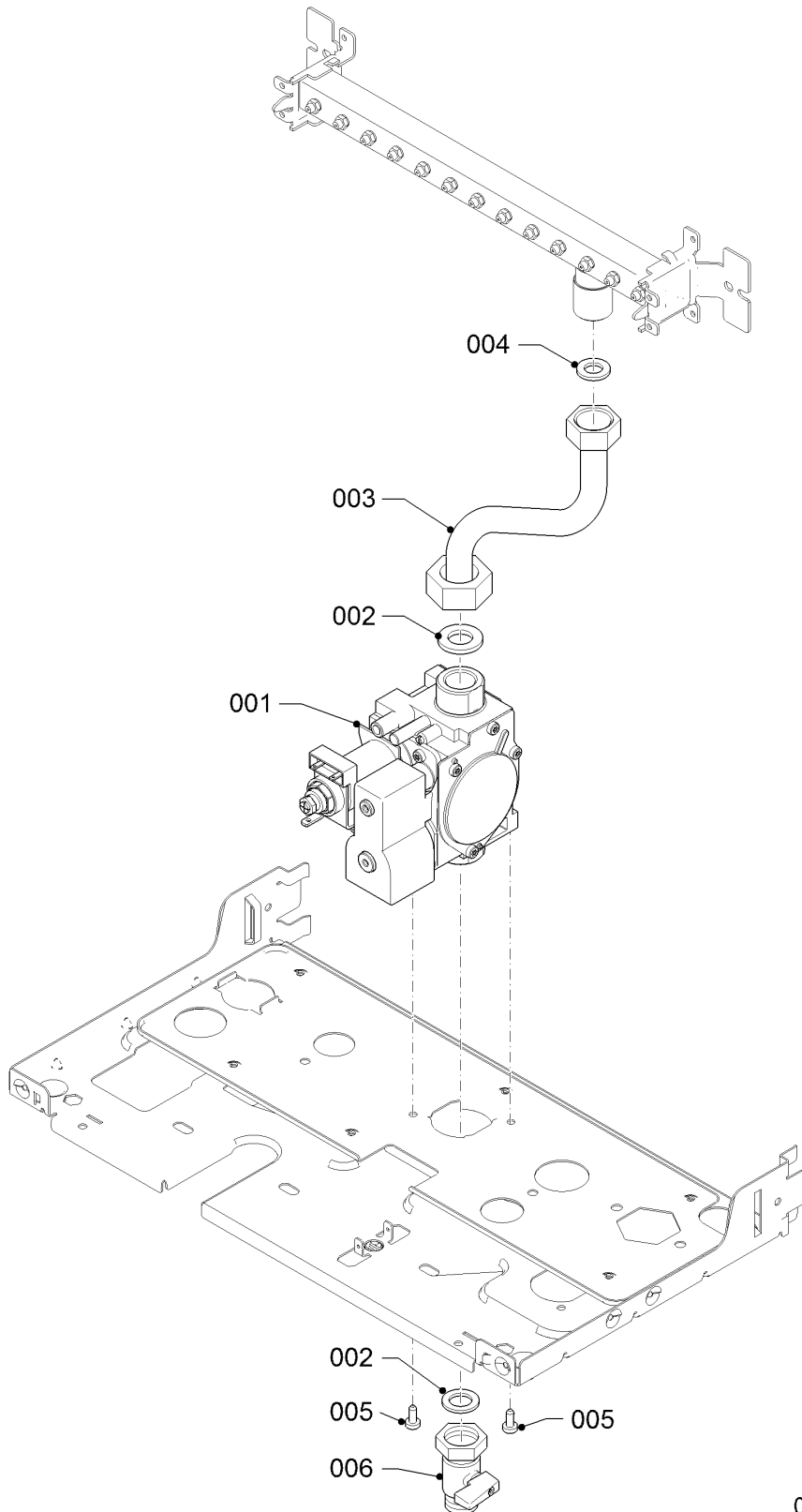


Wall-hung boilers (conventional flue combi)

12MOV20 Gepard (H-RU)

02 - Gas section



02 - 0 - 02 - 05

Wall-hung boilers (conventional flue combi)

12MOV20 Gepard (H-RU)

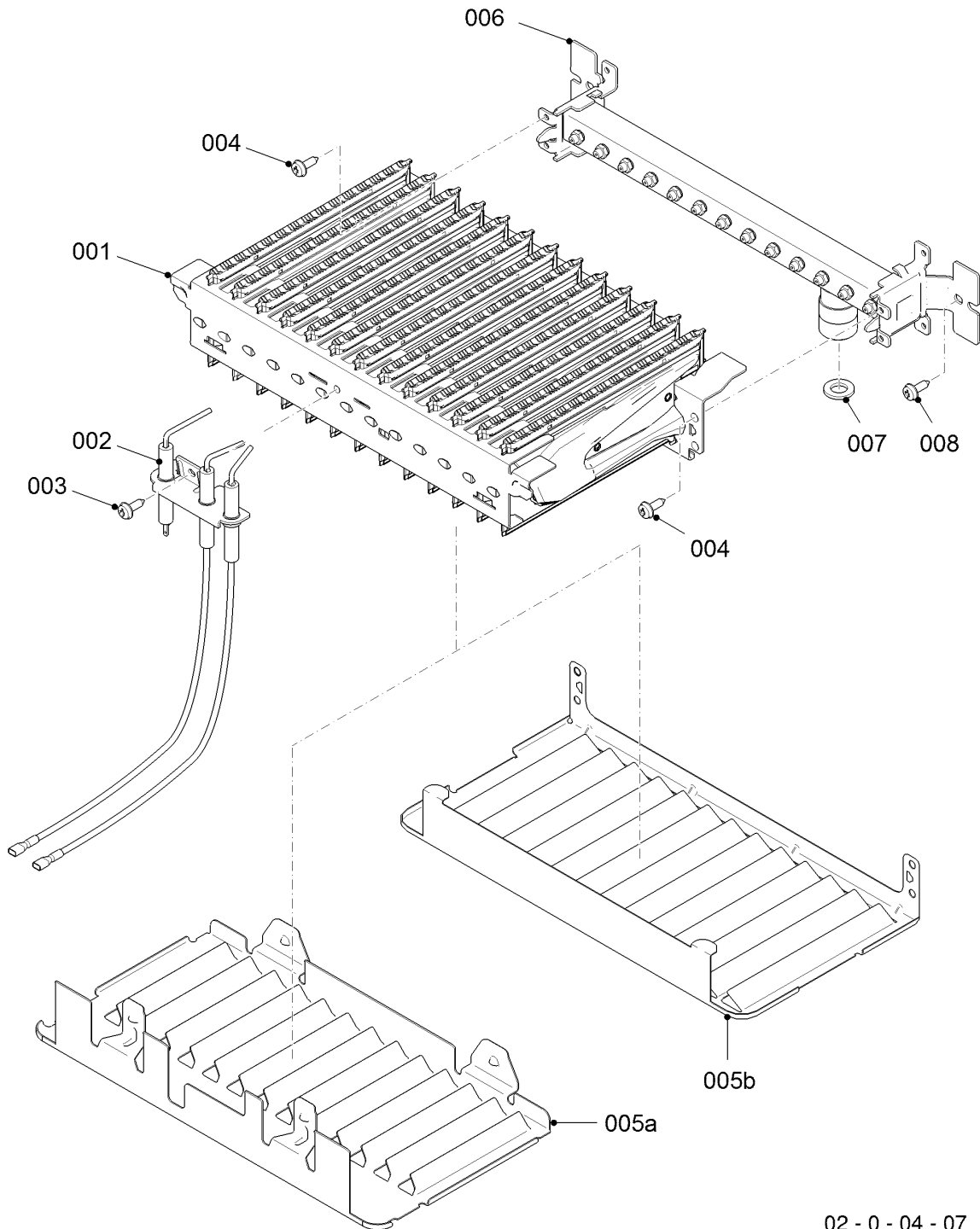
02 - Gas section

Pos.	Article	Description	Note
001	0020200660	Gas valve assembly	12MOV20 Gepard (H-RU), with parts 002
002	0020014193	Sealing ring, (x10)	12MOV20 Gepard (H-RU)
003	0020211597	Gas pipe	12MOV20 Gepard (H-RU), with parts 002, 004
004	0020047034	Sealing ring, (x10)	12MOV20 Gepard (H-RU)
005	S5490600	Screw, (x50)	12MOV20 Gepard (H-RU)
006	-	-	12MOV20 Gepard (H-RU), not for these appliances

Wall-hung boilers (conventional flue combi)

12MOV20 Gepard (H-RU)

04 - Burner



02 - 0 - 04 - 07

Wall-hung boilers (conventional flue combi)

12MOV20 Gepard (H-RU)

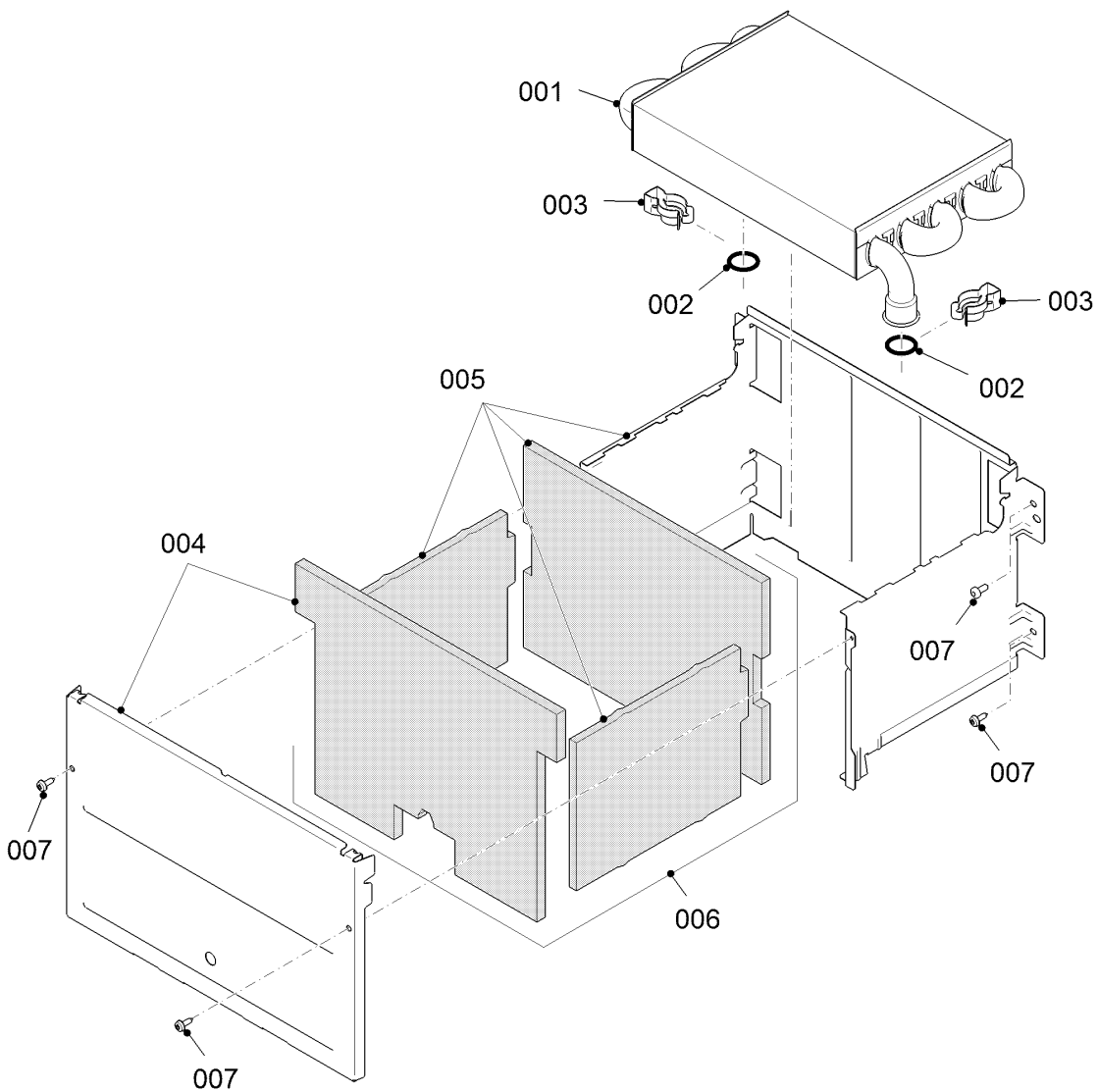
04 - Burner

Pos.	Article	Description	Note
000	0020211671	Conversion kit to G30/G31	12MOV20 Gepard (H-RU), not shown
000	0020211675	Conversion kit to G20/G25.1	12MOV20 Gepard (H-RU), not shown
001	0020049285	Burner, 14 blades (packaged)	12MOV20 Gepard (H-RU)
002	0020200638	Electrode	12MOV20 Gepard (H-RU), with parts 003
003	05493300	Screw, (x25)	12MOV20 Gepard (H-RU)
004	0020118709	Screw, 4 x 9.5, (x10)	12MOV20 Gepard (H-RU)
005	0020211583	Deflector	12MOV20 Gepard (H-RU), with parts 004
006	0020211584	Burner rail	12MOV20 Gepard (H-RU), with parts 004, 007, 008
007	0020047034	Sealing ring, (x10)	12MOV20 Gepard (H-RU)
008	0020211595	Screw, (x10)	12MOV20 Gepard (H-RU)

Wall-hung boilers (conventional flue combi)

12MOV20 Gepard (H-RU)

06 - Heat exchanger



02 - 0 - 06 - 05

Wall-hung boilers (conventional flue combi)

12MOV20 Gepard (H-RU)

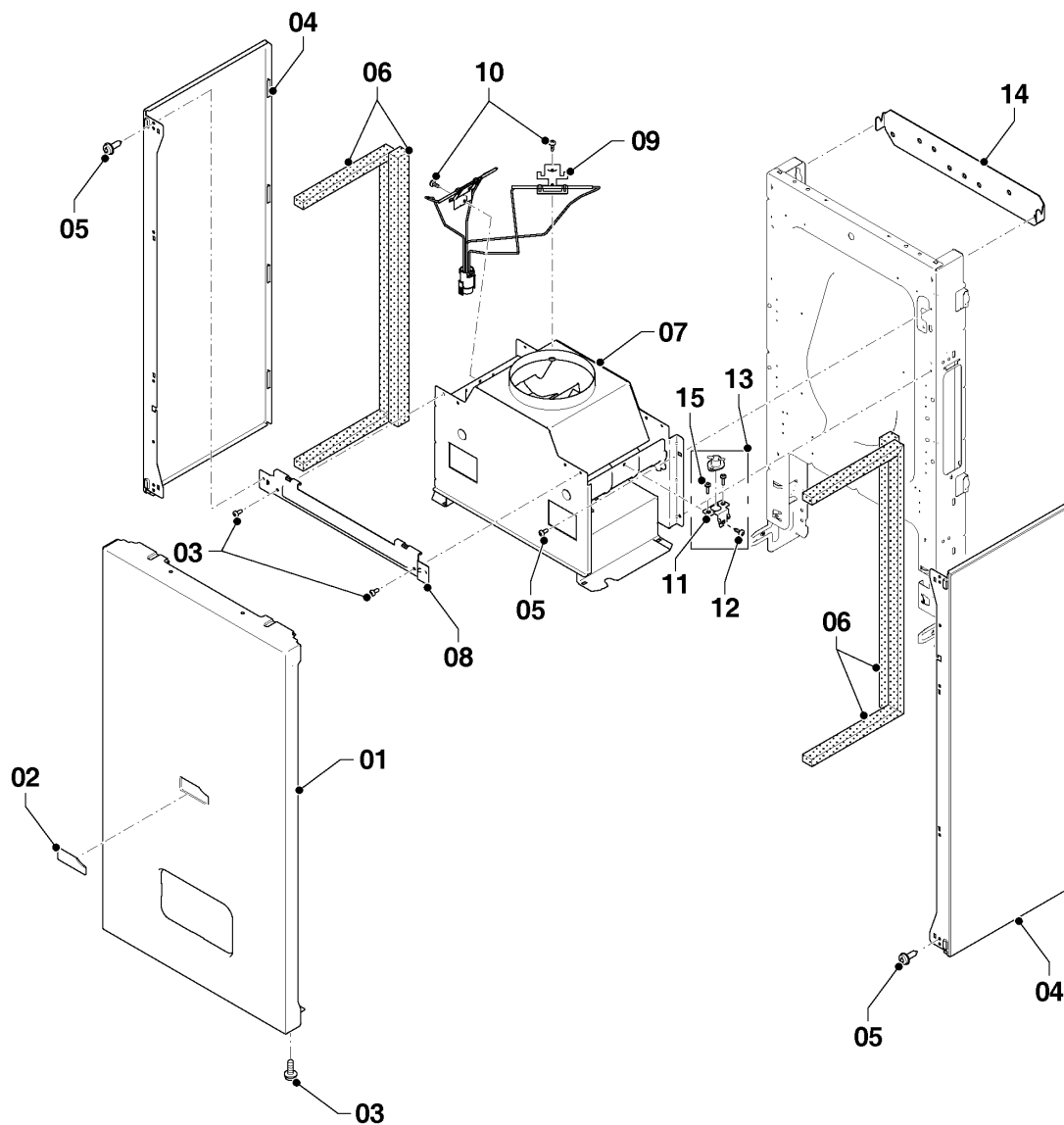
06 - Heat exchanger

Pos.	Article	Description	Note
001	0020142418	Heat exchanger	12MOV20 Gepard (H-RU), with parts 002
002	0020097234	O-ring, (x10)	12MOV20 Gepard (H-RU)
003	0020049289	Clip	12MOV20 Gepard (H-RU)
004	0020211602	Combustion chamber cover	12MOV20 Gepard (H-RU), with parts 007
005	0020211603	Combustion chamber	12MOV20 Gepard (H-RU), with parts 007
006	0020149449	Insulation (Set)	12MOV20 Gepard (H-RU)
007	0020211595	Screw, (x10)	12MOV20 Gepard (H-RU)

Wall-hung boilers (conventional flue combi)

12MOV20 Gepard (H-RU)

07 - Casing parts



02 - 0 - 07 - 15.01

Wall-hung boilers (conventional flue combi)

12MOV20 Gepard (H-RU)

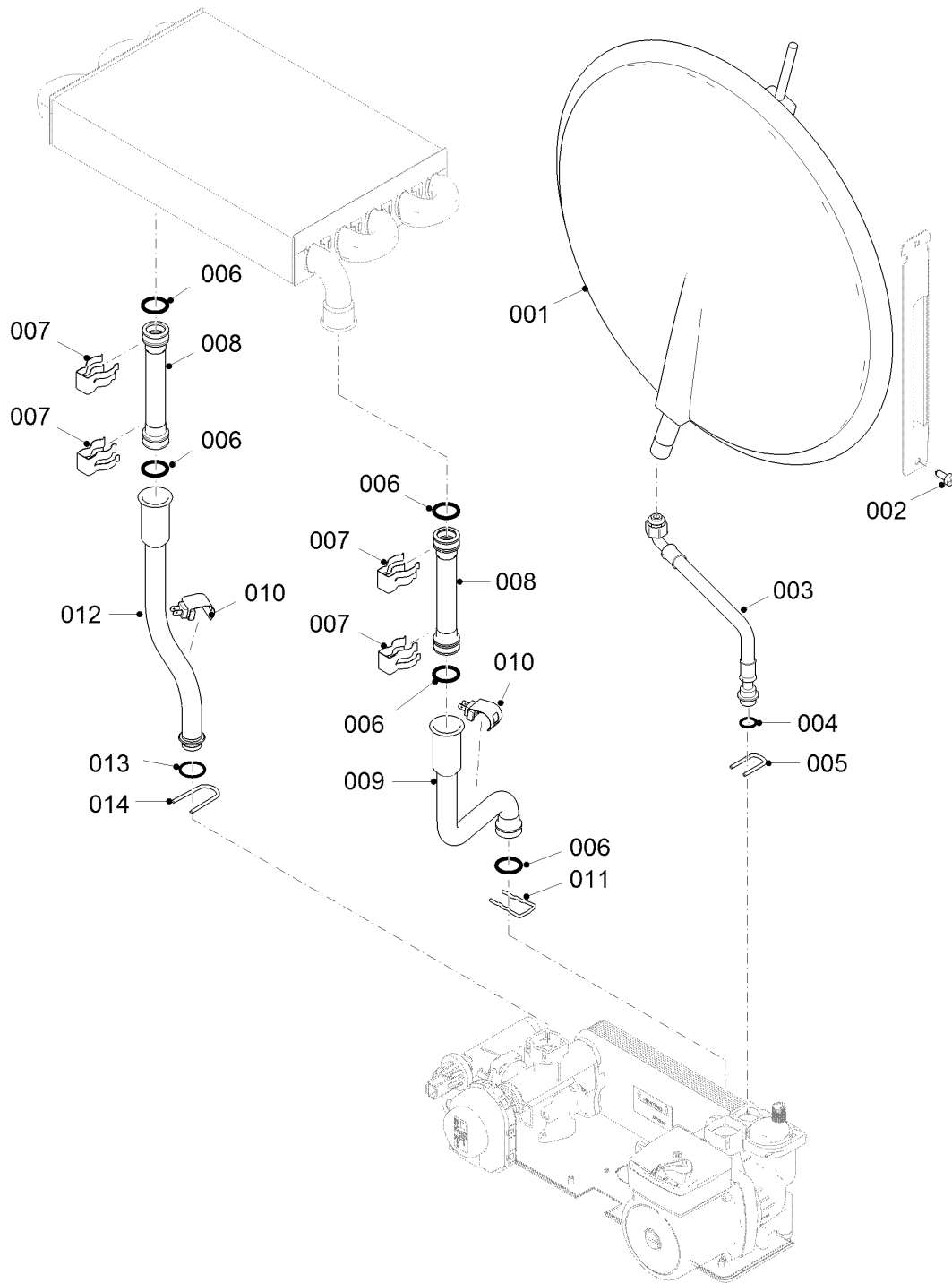
07 - Casing parts

Pos.	Article	Description	Note
01	0020211614	Front panel	12MOV20 Gepard (H-RU), with parts 003
02	0020195632	Name badge	12MOV20 Gepard (H-RU)
03	0020175576	Screw, (x10)	12MOV20 Gepard (H-RU)
04	0020211615	Side panel	12MOV20 Gepard (H-RU), with parts 005
05	0020211595	Screw, (x10)	12MOV20 Gepard (H-RU)
06	0020211616	Seal kit	12MOV20 Gepard (H-RU)
07	0020211590	Draught diverter	12MOV20 Gepard (H-RU), with parts 003, 005, 010, 012
08	0020211618	Support	12MOV20 Gepard (H-RU), with parts 003, 005
09	0020211591	Flue sensor	12MOV20 Gepard (H-RU), with parts 010, until serial number 211736001... including
10	2000801946	Screw, torx 4.2x13.5mm, (x25)	12MOV20 Gepard (H-RU)
11	-	-	12MOV20 Gepard (H-RU), not available as single spare part, please order pos. 13
12	2000801946	Screw, torx 4.2x13.5mm, (x25)	12MOV20 Gepard (H-RU)
13	0020265145	Sensor, kit	12MOV20 Gepard (H-RU)
14	0020211619	Support	12MOV20 Gepard (H-RU)
15	-	-	12MOV20 Gepard (H-RU), not available as single spare part, please order pos. 13

Wall-hung boilers (conventional flue combi)

12MOV20 Gepard (H-RU)

08a - Hydraulic parts



02 - 0 - 08 - 53

Wall-hung boilers (conventional flue combi)

12MOV20 Gepard (H-RU)

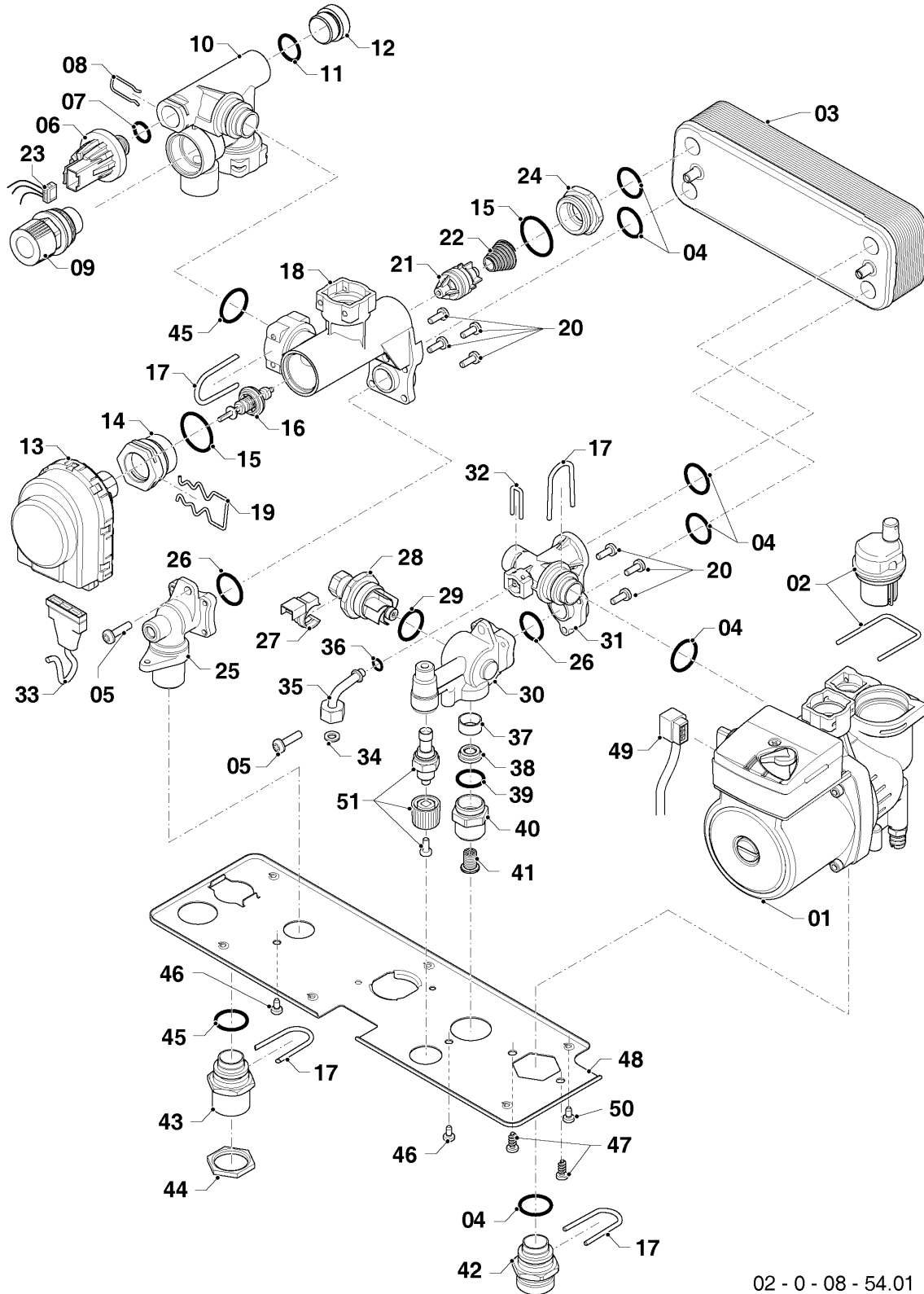
08a - Hydraulic parts

Pos.	Article	Description	Note
001	S1005000	Expansion vessel 5L	12MOV20 Gepard (H-RU)
002	0020211595	Screw, (x10)	12MOV20 Gepard (H-RU)
003	0020211620	Flexible tube	12MOV20 Gepard (H-RU), with parts 004, 005
004	0020118172	O-ring, (x10)	12MOV20 Gepard (H-RU)
005	0020061601	Clip, for expansion vessel, (x10)	12MOV20 Gepard (H-RU)
006	0020097234	O-ring, (x10)	12MOV20 Gepard (H-RU)
007	0020049289	Clip	12MOV20 Gepard (H-RU)
008	0020211621	Tube	12MOV20 Gepard (H-RU), with parts 006, 007
009	0020211626	Tube	12MOV20 Gepard (H-RU), with parts 006, 007, 011
010	0020200599	Sensor, NTC 19mm	12MOV20 Gepard (H-RU)
011	0020014176	Clip, (x10)	12MOV20 Gepard (H-RU)
012	0020211628	Tube	12MOV20 Gepard (H-RU), with parts 006, 007, 013, 014
013	0020118671	O-ring, (x10)	12MOV20 Gepard (H-RU)
014	0020061600	Clip, for pump connection nut, (x10)	12MOV20 Gepard (H-RU)

Wall-hung boilers (conventional flue combi)

12MOV20 Gepard (H-RU)

08b - Hydraulic parts



02 - 0 - 08 - 54.01

Wall-hung boilers (conventional flue combi)

12MOV20 Gepard (H-RU)

08b - Hydraulic parts

Pos.	Article	Description	Note
01	0020207146	Pump	12MOV20 Gepard (H-RU), with parts 002, 004, 017, 047
02	S1024500	Automatic de-aerator	12MOV20 Gepard (H-RU)
03	0020118595	Plate to plate heat exchanger	12MOV20 Gepard (H-RU)
04	05451700	O-ring, (x10)	12MOV20 Gepard (H-RU)
05	A000024274	Screw, M5x20 H/E plate, (x25)	12MOV20 Gepard (H-RU)
06	0020079644	Sensor	12MOV20 Gepard (H-RU), with parts 007, 008
07	0020014177	O-ring, (x10)	12MOV20 Gepard (H-RU)
08	0020014164	Retaining clip, wire, (x10)	12MOV20 Gepard (H-RU)
09	0020118190	Pressure relief valve	12MOV20 Gepard (H-RU)
10	0020118733	Prv block	12MOV20 Gepard (H-RU)
11	0020118737	O-ring, 17.17 x 1.78, (x10)	12MOV20 Gepard (H-RU)
12	0020118738	Cap	12MOV20 Gepard (H-RU)
13	0020118640	Diverter Valve Motor 3WV ELBI	12MOV20 Gepard (H-RU)
14	0020118728	Housing - 3wv	12MOV20 Gepard (H-RU)
15	0020118186	O-ring (x10)	12MOV20 Gepard (H-RU)
16	0020118196	Diverter valve	12MOV20 Gepard (H-RU)
17	0020061600	Clip, for pump connection nut, (x10)	12MOV20 Gepard (H-RU)
18	0020118739	Upper pastic block 3wv	12MOV20 Gepard (H-RU)
19	0020118655	Clip - 3 way valve motor pk10	12MOV20 Gepard (H-RU)
20	0020098269	Screw	12MOV20 Gepard (H-RU)
21	0020261477	Bypass, 480 mbar	12MOV20 Gepard (H-RU)
22	0020118740	By pass spring	12MOV20 Gepard (H-RU)
23	0020211946	Wiring harness	12MOV20 Gepard (H-RU)
24	0020118191	Cap	12MOV20 Gepard (H-RU)
25	0020118730	Bottom brass connection 3wv	12MOV20 Gepard (H-RU)
26	0020118182	O-ring (x10)	12MOV20 Gepard (H-RU)
27	0020118650	Flow sensor and cable	12MOV20 Gepard (H-RU)
28	0020118662	Impeller kit	12MOV20 Gepard (H-RU)
29	0020118718	O-ring, 17.86x2.62, (x10)	12MOV20 Gepard (H-RU)
30	0020118727	Cold water group bottom brass part	12MOV20 Gepard (H-RU)

Wall-hung boilers (conventional flue combi)

12MOV20 Gepard (H-RU)

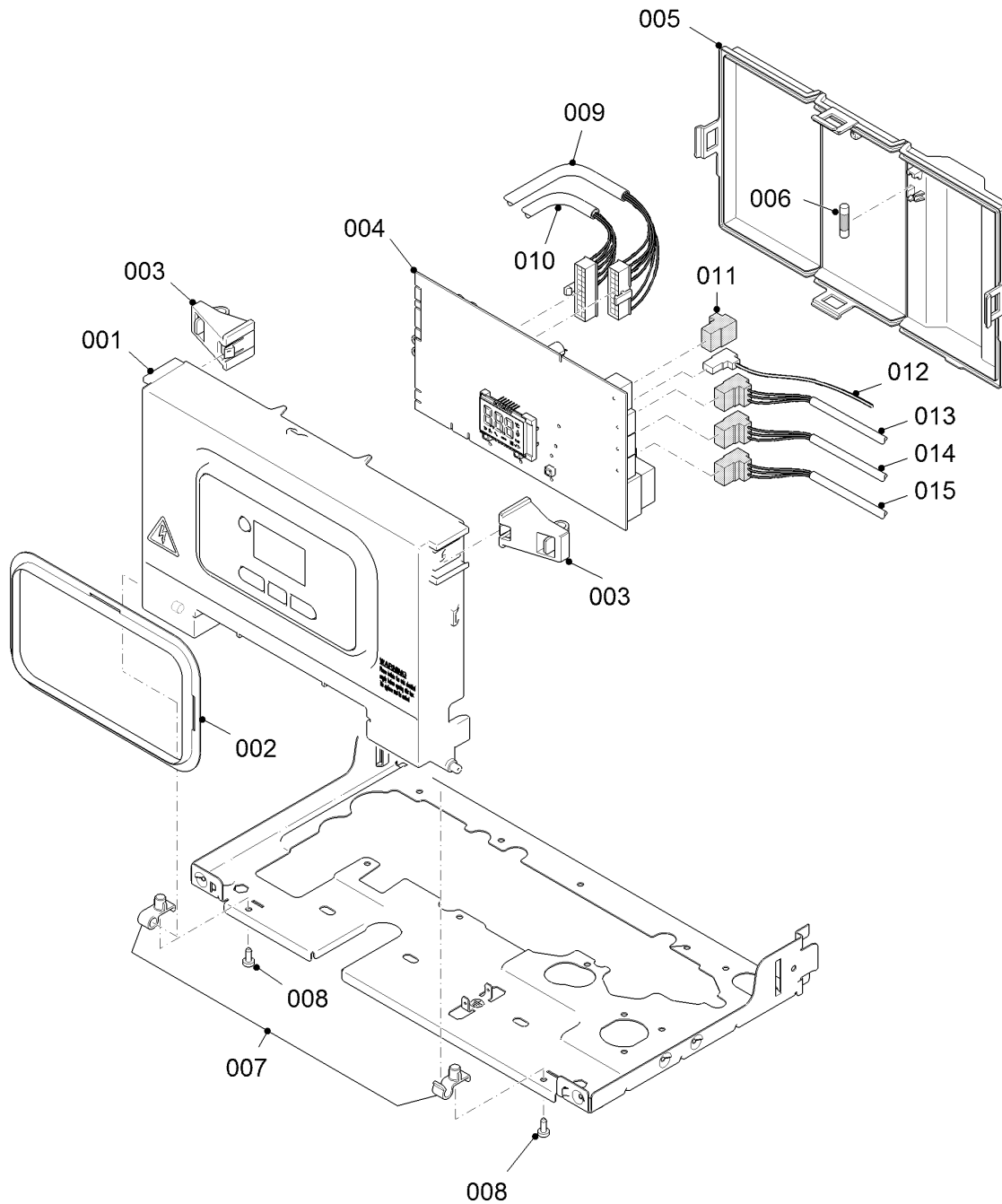
08b - Hydraulic parts

Pos.	Article	Description	Note
31	0020118721	Cold water group top plastics part	12MOV20 Gepard (H-RU)
32	0020118669	Hydroblock I pipe clips	12MOV20 Gepard (H-RU)
33	0020211948	Wiring harness, 3WV	12MOV20 Gepard (H-RU)
34	0020118670	Gasket-11x6x1,5(fill.valve conn.pipe)	12MOV20 Gepard (H-RU)
35	0020118668	Hydroblock I pipe (filling)	12MOV20 Gepard (H-RU)
36	0020118672	Gasket-5,28x1,78(fill.valve conn.pipe)	12MOV20 Gepard (H-RU)
37	0020118723	Ring, plastic	12MOV20 Gepard (H-RU)
38	0020014664	Flow limiter, 12l/min, (x10)	12MOV20 Gepard (H-RU)
39	0020118724	O-ring, 16x2	12MOV20 Gepard (H-RU)
40	0020118725	Water outlet nipple	12MOV20 Gepard (H-RU)
41	0020118726	Inlet filter	12MOV20 Gepard (H-RU)
42	0020061599	Nipple (3/4)	12MOV20 Gepard (H-RU)
43	0020118736	Outlet nipple	12MOV20 Gepard (H-RU)
44	0020038631	Nut, (kit of 4)	12MOV20 Gepard (H-RU)
45	0020118731	O-ring, 18.64x3.53, (x10)	12MOV20 Gepard (H-RU)
46	0020118710	Screw, M4 x 8	12MOV20 Gepard (H-RU)
47	0020118711	Screw, 5x12, (x10)	12MOV20 Gepard (H-RU)
48	0020207147	Support	12MOV20 Gepard (H-RU), with parts 046
49	0020207135	Power cable	12MOV20 Gepard (H-RU)
50	0020175576	Screw, (x10)	12MOV20 Gepard (H-RU)
51	0020119802	Filling Valve Group, Hydrolics, Atron	12MOV20 Gepard (H-RU)

Wall-hung boilers (conventional flue combi)

12MOV20 Gepard (H-RU)

12 - Control box



02 - 0 - 12 - 08

Wall-hung boilers (conventional flue combi)

12MOV20 Gepard (H-RU)

12 - Control box

Pos.	Article	Description	Note
001	0020211633	Casing, front	12MOV20 Gepard (H-RU)
002	0020211634	Spacer	12MOV20 Gepard (H-RU)
003	0020211637	Support	12MOV20 Gepard (H-RU)
004	0020200395	PCB, with display	12MOV20 Gepard (H-RU), until serial number 211736001... including
005	0020211635	Back panel	12MOV20 Gepard (H-RU)
006	0020079603	Fuse, 2,0 A T2H, (x10)	12MOV20 Gepard (H-RU)
007	0020211636	Hinge, (kit)	12MOV20 Gepard (H-RU), with parts 008
008	S5490600	Screw, (x50)	12MOV20 Gepard (H-RU)
009	0020211643	Wiring harness	12MOV20 Gepard (H-RU)
010	0020211946	Wiring harness	12MOV20 Gepard (H-RU)
011	0020198354	Connection, 3 pole 230V	12MOV20 Gepard (H-RU)
012	0020211640	Earth cable	12MOV20 Gepard (H-RU)
013	0020207135	Power cable	12MOV20 Gepard (H-RU)
014	-	-	12MOV20 Gepard (H-RU), not for these appliances
015	0020211948	Wiring harness, 3WV	12MOV20 Gepard (H-RU)