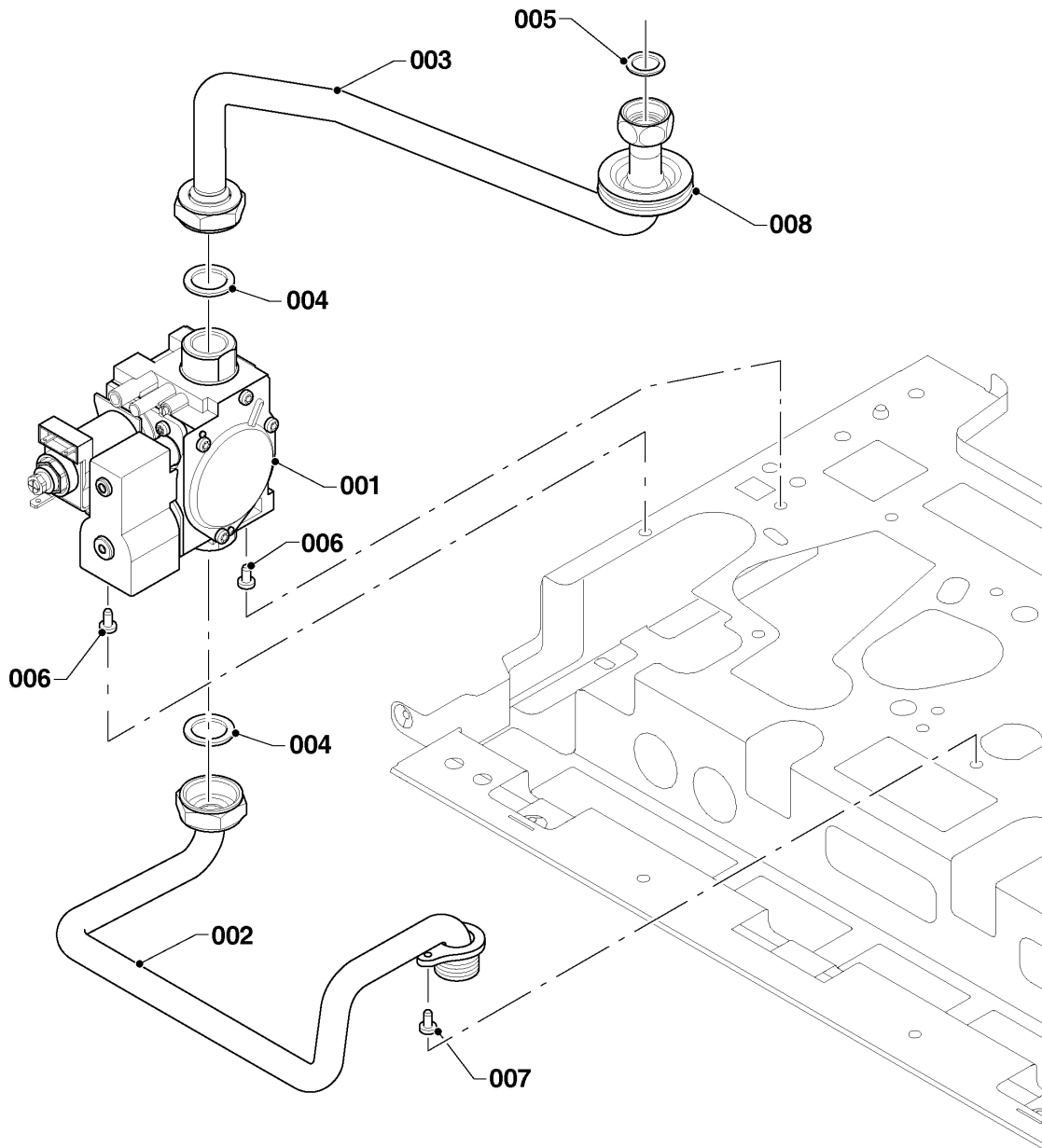


Wall-hung boilers (fan-assisted system)

12KTO20 Panther/R1 (H-RU)

02 - Gas section



02 - 0 - 02 - 06

Wall-hung boilers (fan-assisted system)

12KTO20 Panther/R1 (H-RU)

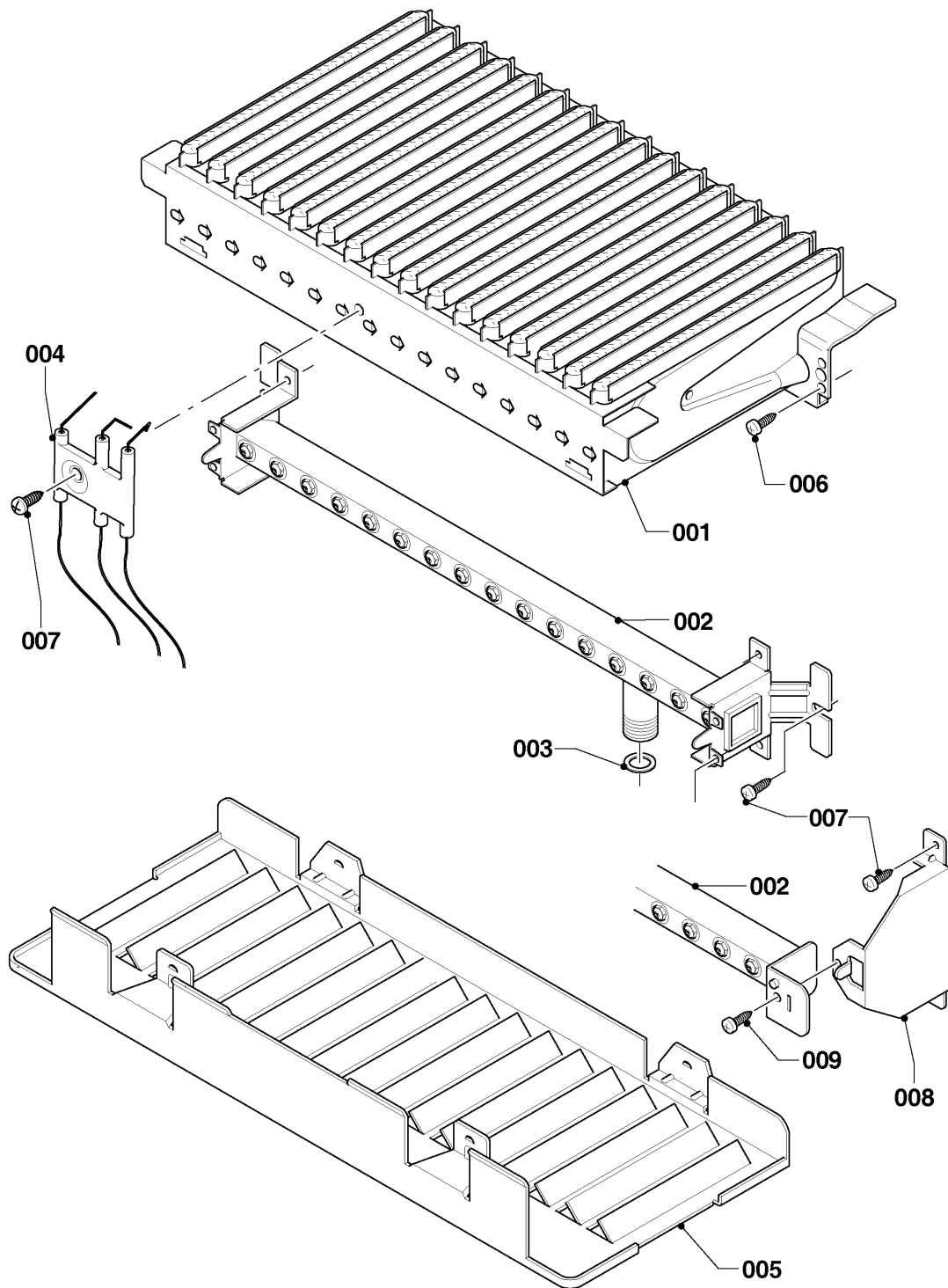
02 - Gas section

Pos.	Article	Description	Note
001	0020200660	Gas valve assembly	12KTO20 Panther/R1 (H-RU)
002	0020200611	Gas pipe	12KTO20 Panther/R1 (H-RU), with parts 004, 007
003	0020200609	Gas pipe	12KTO20 Panther/R1 (H-RU), with parts 004, 005, 007
004	0020014193	Sealing ring, (x10)	12KTO20 Panther/R1 (H-RU)
005	0020047034	Sealing ring, (x10)	12KTO20 Panther/R1 (H-RU)
006	S5490600	Screw, (x50)	12KTO20 Panther/R1 (H-RU)
007	0020175576	Screw, (x10)	12KTO20 Panther/R1 (H-RU)
008	0020014192	Gasket, red large	12KTO20 Panther/R1 (H-RU)

Wall-hung boilers (fan-assisted system)

12KTO20 Panther/R1 (H-RU)

04 - Burner



02 - 0 - 04 - 08

Wall-hung boilers (fan-assisted system)

12KTO20 Panther/R1 (H-RU)

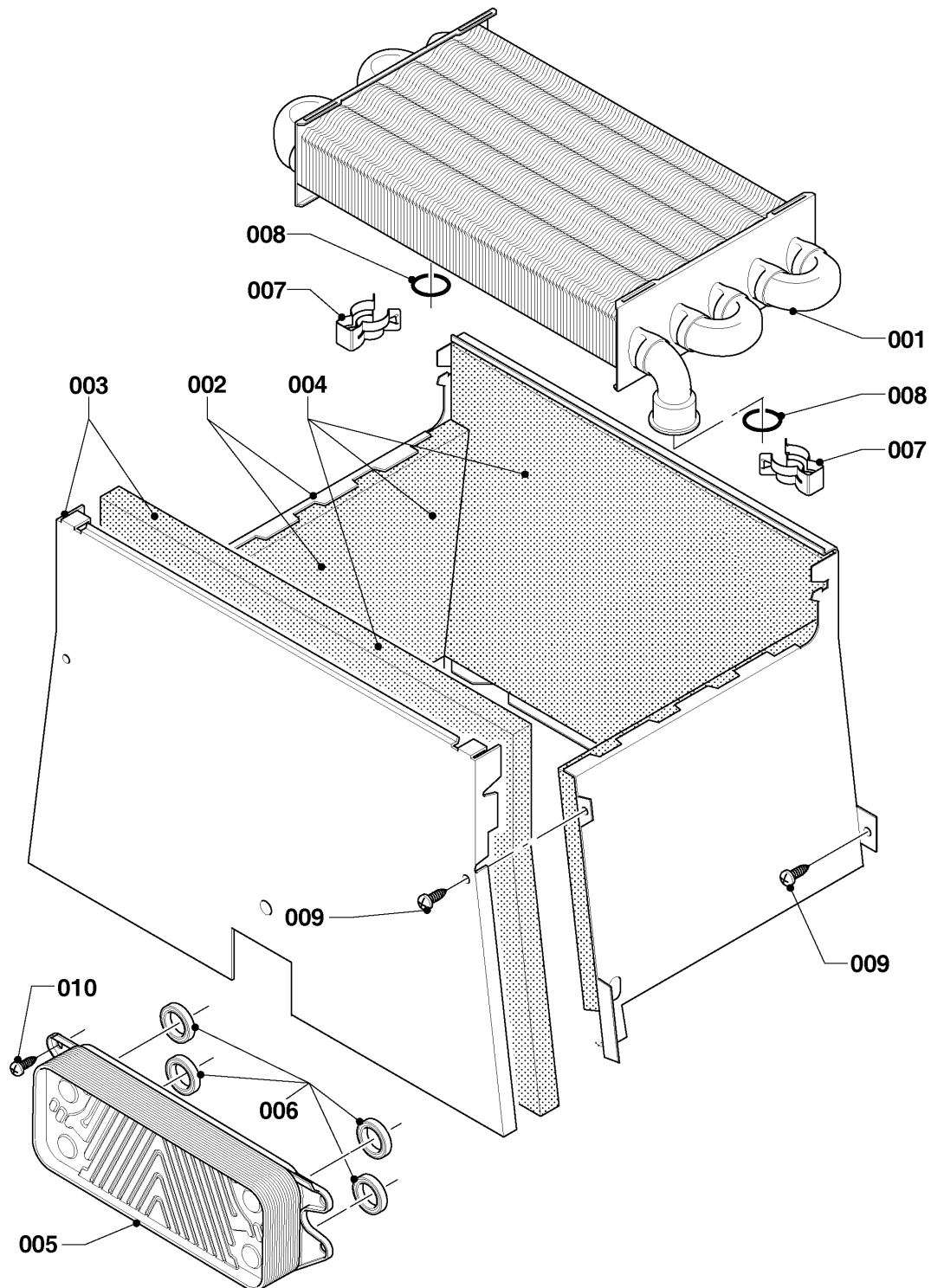
04 - Burner

Pos.	Article	Description	Note
000	0020199915	Conversion kit, H -> PB (30mbar)	12KTO20 Panther/R1 (H-RU), not shown
001	0020200580	Burner chamber group 12kW	12KTO20 Panther/R1 (H-RU), with part 006
002	0020200605	Burner support 12kW H	12KTO20 Panther/R1 (H-RU), with parts 003, 007
003	0020047034	Sealing ring, (x10)	12KTO20 Panther/R1 (H-RU)
004	0020200638	Electrode	12KTO20 Panther/R1 (H-RU)
005	-	-	12KTO20 Panther/R1 (H-RU), not for these appliances
006	0020216992	Screw, (x10)	12KTO20 Panther/R1 (H-RU)
007	0020175576	Screw, (x10)	12KTO20 Panther/R1 (H-RU)
008	-	-	12KTO20 Panther/R1 (H-RU), not for these appliances
009	0020216993	Screw, (x10)	12KTO20 Panther/R1 (H-RU)

Wall-hung boilers (fan-assisted system)

12KTO20 Panther/R1 (H-RU)

06 - Heat exchanger



02 - 0 - 06 - 06

Wall-hung boilers (fan-assisted system)

12KTO20 Panther/R1 (H-RU)

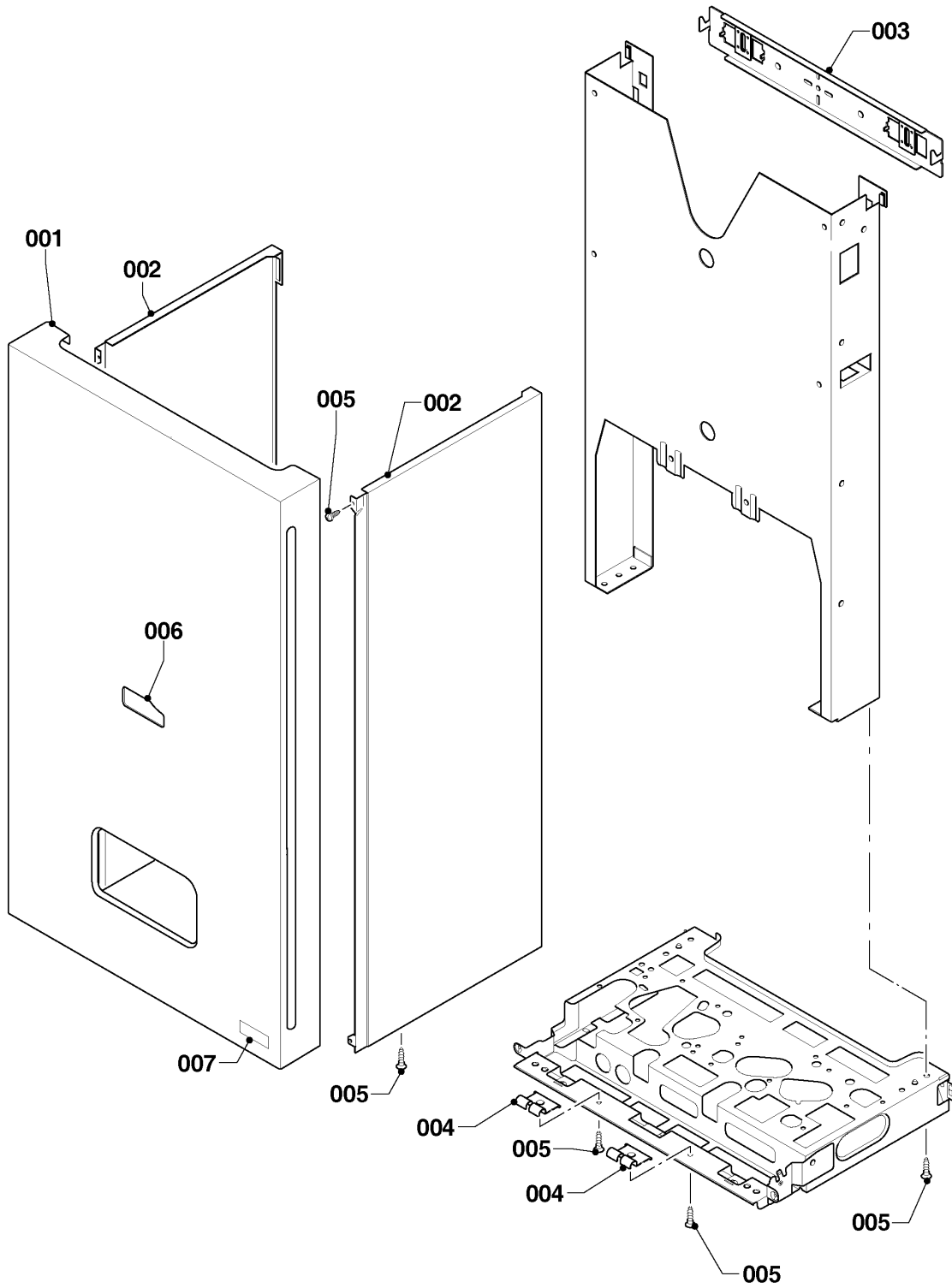
06 - Heat exchanger

Pos.	Article	Description	Note
001	0020142414	Heat exchanger	12KTO20 Panther/R1 (H-RU), with parts 007, 008
002	0020125285	Combustion chamber rear plate	12KTO20 Panther/R1 (H-RU), with part 009
003	0020098005	Combustion chamber, cover 20kW	12KTO20 Panther/R1 (H-RU), with part 009
004	0020149448	Insulation (Set)	12KTO20 Panther/R1 (H-RU)
005	-	-	12KTO20 Panther/R1 (H-RU), not for these appliances
006	-	-	12KTO20 Panther/R1 (H-RU), not for these appliances
007	0020018462	Clip, (x10)	12KTO20 Panther/R1 (H-RU)
008	0020047026	O-ring, (x10)	12KTO20 Panther/R1 (H-RU)
009	0020175576	Screw, (x10)	12KTO20 Panther/R1 (H-RU)
010	-	-	12KTO20 Panther/R1 (H-RU), not for these appliances

Wall-hung boilers (fan-assisted system)

12KTO20 Panther/R1 (H-RU)

07a - Casing parts



02 - 0 - 07 - 17

Wall-hung boilers (fan-assisted system)

12KTO20 Panther/R1 (H-RU)

07a - Casing parts

Pos.	Article	Description	Note
001	0020200616	Casing	12KTO20 Panther/R1 (H-RU), with part 005
002	0020200577	Side panel	12KTO20 Panther/R1 (H-RU), with part 005
003	0020216299	Support	12KTO20 Panther/R1 (H-RU)
004	0020175666	Support, (x2)	12KTO20 Panther/R1 (H-RU), with part 005
005	0020175576	Screw, (x10)	12KTO20 Panther/R1 (H-RU)
006	0020195632	Name badge	12KTO20 Panther/R1 (H-RU)
007	0020210130	Name badge	12KTO20 Panther/R1 (H-RU)

Wall-hung boilers (fan-assisted system)

12KTO20 Panther/R1 (H-RU)

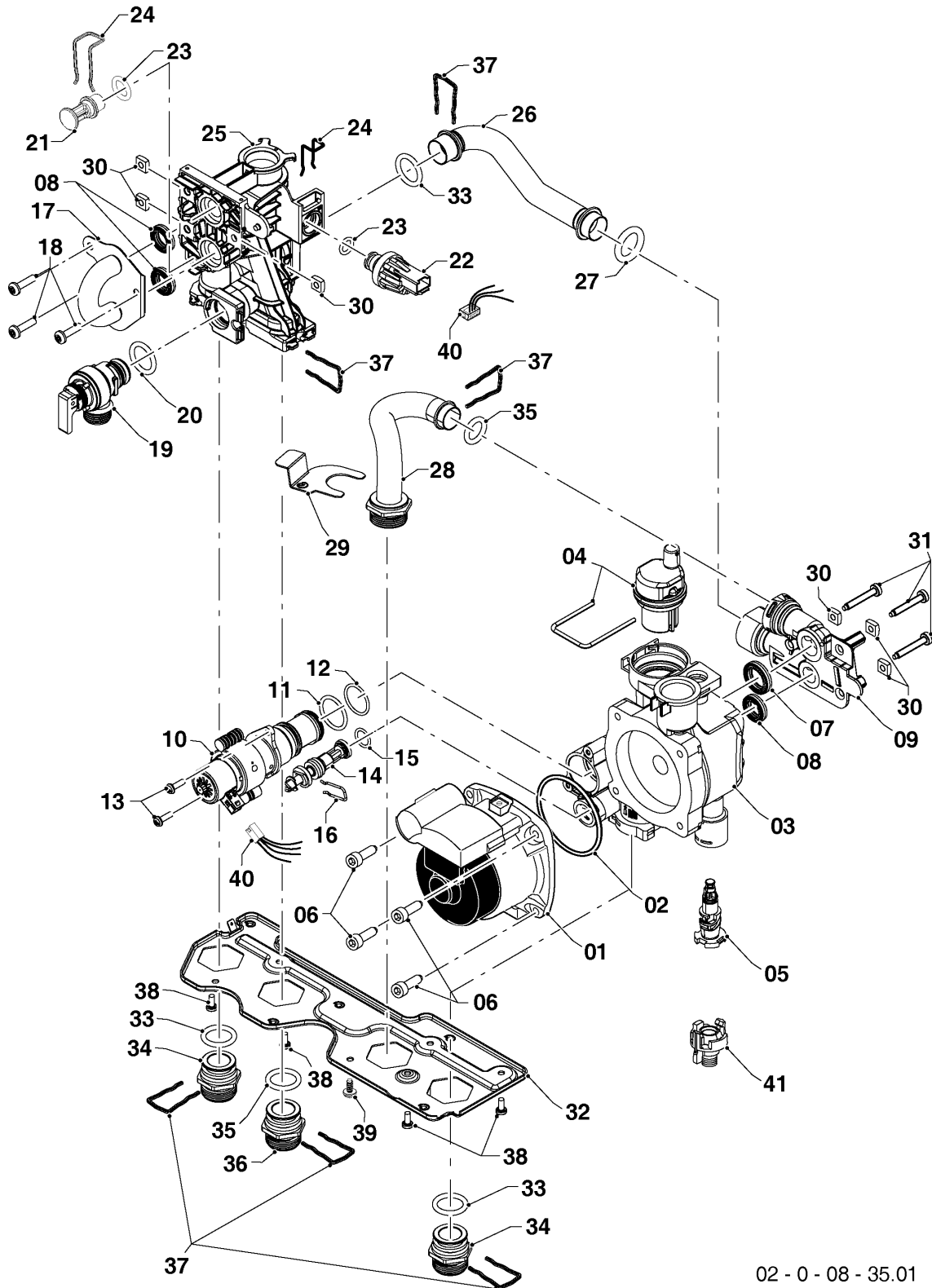
07b - Casing parts

Pos.	Article	Description	Note
01	0020200661	Flue gas collector	12KTO20 Panther/R1 (H-RU), with part 003, until serial number 211736001... including
02	0020213171	Fan	12KTO20 Panther/R1 (H-RU), with parts 003, 005, 006, 007, until serial number 211736001...including
03	0020175576	Screw, (x10)	12KTO20 Panther/R1 (H-RU)
04	-	-	12KTO20 Panther/R1 (H-RU), not for these appliances
05	0020200568	Plug, (x5)	12KTO20 Panther/R1 (H-RU)
06	0020218133	Lip seal, silicone (DN 60)	12KTO20 Panther/R1 (H-RU)
07	0020200585	Insert black	12KTO20 Panther/R1 (H-RU), until serial number 211736001...including
08	0020200675	Sleeve	12KTO20 Panther/R1 (H-RU)
09	0020200617	Casing	12KTO20 Panther/R1 (H-RU), with parts 003,010
10	0020200569	Gasket kit	12KTO20 Panther/R1 (H-RU)
11	0020210136	Pressure safeguard	12KTO20 Panther/R1 (H-RU), with part 012, until serial number 211736001...including
12	0020200567	Hose set	12KTO20 Panther/R1 (H-RU)
13	-	-	12KTO20 Panther/R1 (H-RU), not for these appliances
14	0020216975	Insert	12KTO20 Panther/R1 (H-RU)
15	0020014192	Gasket, red large	12KTO20 Panther/R1 (H-RU)
16	0020216991	Gasket	12KTO20 Panther/R1 (H-RU)
17	0020200680	Clip, (x10)	12KTO20 Panther/R1 (H-RU)

Wall-hung boilers (fan-assisted system)

12KTO20 Panther/R1 (H-RU)

08a - Hydraulic parts



02 - 0 - 08 - 35.01

Wall-hung boilers (fan-assisted system)

12KTO20 Panther/R1 (H-RU)

08a - Hydraulic parts

Pos.	Article	Description	Note
01	0020197549	Pump motor	12KTO20 Panther/R1 (H-RU), supplied with pos.06, it`s necessary to order also sealing ring (pos.02)
02	0020221829	O-ring	12KTO20 Panther/R1 (H-RU)
03	0020207137	Housing, pump R-DIN	12KTO20 Panther/R1 (H-RU), with parts 02,04,05,06,07,08,11,12,13,15,16,30,31,33,37
04	S1024500	Automatic de-aerator	12KTO20 Panther/R1 (H-RU)
05	0020207138	Tap drain piece R-DIN	12KTO20 Panther/R1 (H-RU)
06	0020207139	Screw, pump (x4)	12KTO20 Panther/R1 (H-RU)
07	0020014182	Gasket, type C, (x10)	12KTO20 Panther/R1 (H-RU)
08	0020014166	Gasket, type C, (x10)	12KTO20 Panther/R1 (H-RU)
09	0020197547	Hydroblock	12KTO20 Panther/R1 (H-RU), with parts 07,08,27,35,30,31,33,37
10	0020097214	Diverter valve 3 way	12KTO20 Panther/R1 (H-RU), with parts 11,12,13
11	0020097224	O-ring, (x10)	12KTO20 Panther/R1 (H-RU)
12	0020097226	O-ring, (x10)	12KTO20 Panther/R1 (H-RU)
13	0020097227	Screw, (x10)	12KTO20 Panther/R1 (H-RU)
14	0020014169	Bypass	12KTO20 Panther/R1 (H-RU), with parts 15,16
15	0020014195	O-ring, (x10)	12KTO20 Panther/R1 (H-RU)
16	0020047019	Clip, (x10)	12KTO20 Panther/R1 (H-RU)
17	0020186169	Tube, system outlet	12KTO20 Panther/R1 (H-RU), with parts 08,18,30
18	A000024274	Screw, M5x20 H/E plate, (x25)	12KTO20 Panther/R1 (H-RU)
19	0020047005	Pressure relief valve, 3 bar	12KTO20 Panther/R1 (H-RU), with parts 20,37
20	0020125448	O-ring, (x10)	12KTO20 Panther/R1 (H-RU)
21	0020098017	Plug	12KTO20 Panther/R1 (H-RU), with parts 23, 24
22	0020079644	Sensor	12KTO20 Panther/R1 (H-RU), with parts 23, 24
23	0020014177	O-ring, (x10)	12KTO20 Panther/R1 (H-RU)
24	0020097197	Clip, (x10)	12KTO20 Panther/R1 (H-RU)

Wall-hung boilers (fan-assisted system)

12KTO20 Panther/R1 (H-RU)

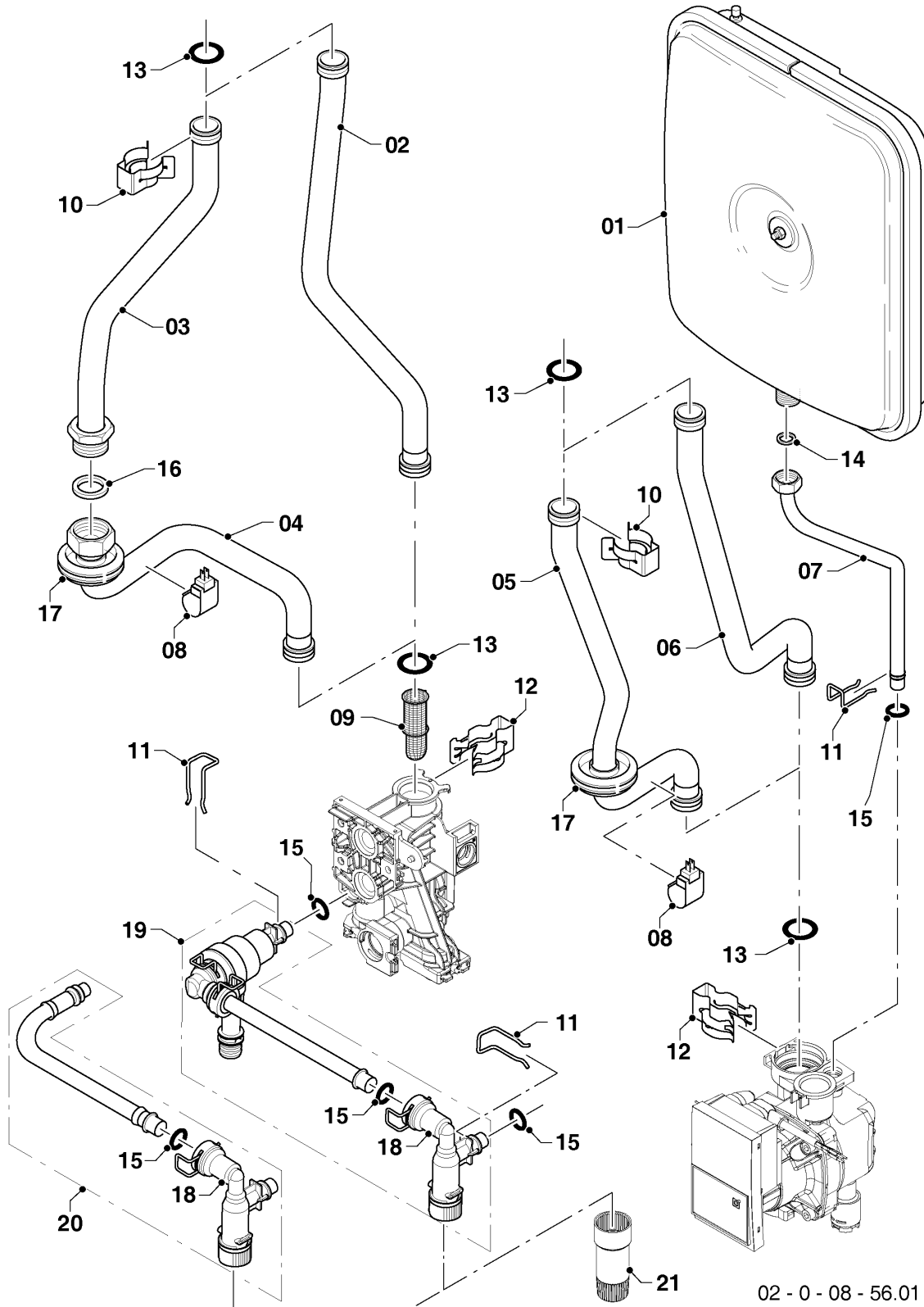
08a - Hydraulic parts

Pos.	Article	Description	Note
25	0020186163	Hydroblock	12KTO20 Panther/R1 (H-RU), supply with pos. 08, 18, 20, 22, 23, 24, 30, 33, 35, 37, 38,
26	0020186168	Tube, by-pass	12KTO20 Panther/R1 (H-RU), with parts 27,33,37
27	0020097187	O-ring, (x10)	12KTO20 Panther/R1 (H-RU)
28	0020186166	Tube, system	12KTO20 Panther/R1 (H-RU), with parts 35,37,39
29	0020186175	Bracket, fixation	12KTO20 Panther/R1 (H-RU), with parts 39
30	0020038639	Nut, (x3)	12KTO20 Panther/R1 (H-RU)
31	0020097193	Screw, M5x33, (x10)	12KTO20 Panther/R1 (H-RU)
32	0020207116	Support bracket	12KTO20 Panther/R1 (H-RU), with parts 38,39
33	0020195272	O-ring, (x10)	12KTO20 Panther/R1 (H-RU)
34	0020186172	Nipple, G3/4 brass, HW	12KTO20 Panther/R1 (H-RU), with parts 33,37
35	0020166932	O ring, (x10)	12KTO20 Panther/R1 (H-RU)
36	0020186171	Nipple, G3/4, DW	12KTO20 Panther/R1 (H-RU), with parts 35,37
37	0020014176	Clip, (x10)	12KTO20 Panther/R1 (H-RU)
38	0020097184	Screw, (x10)	12KTO20 Panther/R1 (H-RU)
39	0020175576	Screw, (x10)	12KTO20 Panther/R1 (H-RU)
40	0020197553	Wiring harness	12KTO20 Panther/R1 (H-RU)
41	0020097336	Tap drain piece	12KTO20 Panther/R1 (H-RU)

Wall-hung boilers (fan-assisted system)

12KTO20 Panther/R1 (H-RU)

08b - Hydraulic parts



Wall-hung boilers (fan-assisted system)

12KTO20 Panther/R1 (H-RU)

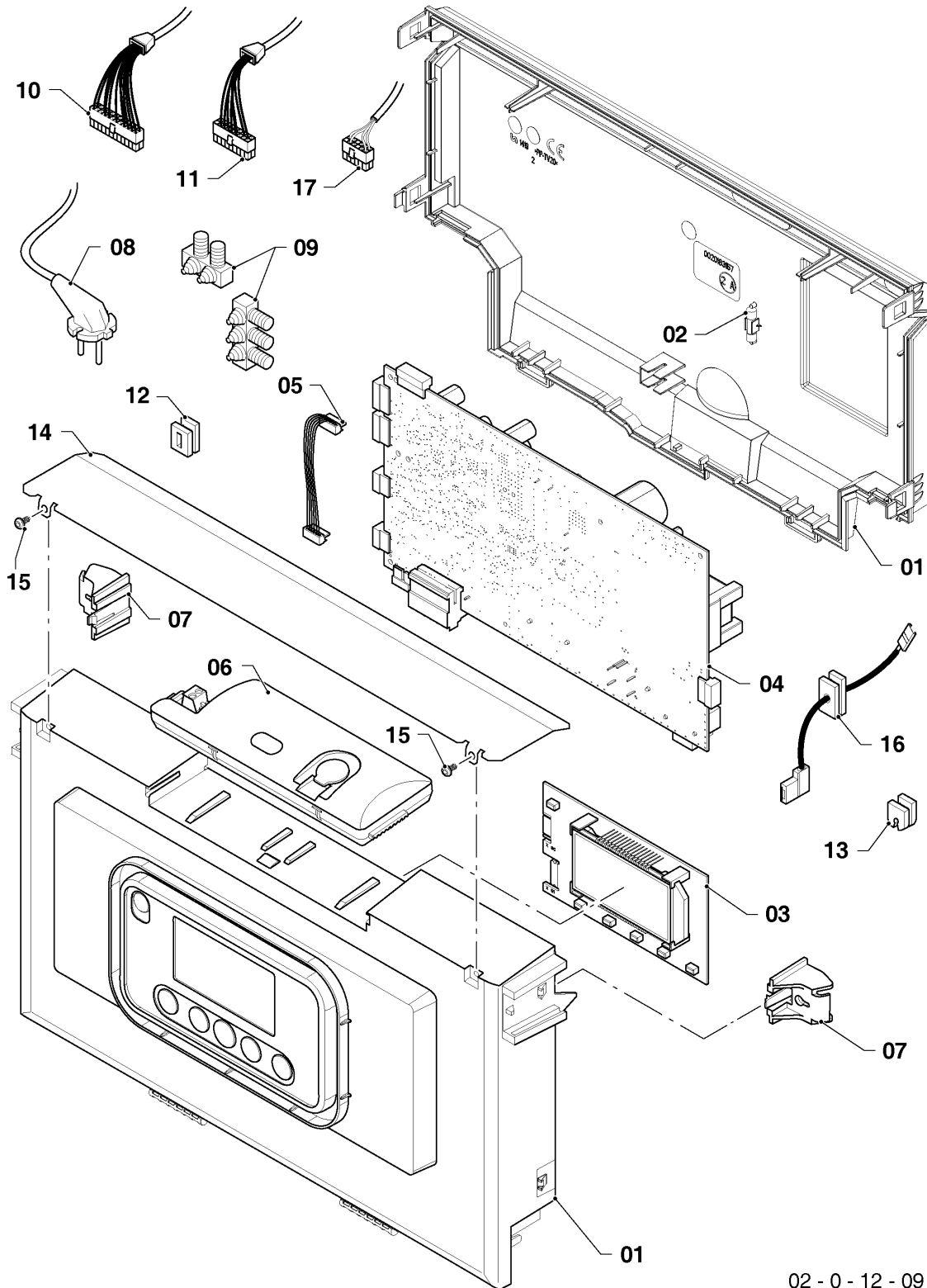
08b - Hydraulic parts

Pos.	Article	Description	Note
01	0020200681	Expansion vessel 10 ltr.	12KTO20 Panther/R1 (H-RU)
02	-	-	12KTO20 Panther/R1 (H-RU), not for these appliances
03	0020218972	Tube	12KTO20 Panther/R1 (H-RU), with parts 010,013,016
04	0020200641	Tube	12KTO20 Panther/R1 (H-RU), with parts 012,013,016
05	0020200625	Tube	12KTO20 Panther/R1 (H-RU), with parts 010,012,013
06	-	-	12KTO20 Panther/R1 (H-RU), not for these appliances
07	0020200618	Tube	12KTO20 Panther/R1 (H-RU), with parts 011,014,015
08	0020200599	Sensor, NTC 19mm	12KTO20 Panther/R1 (H-RU)
09	0020014178	Filter	12KTO20 Panther/R1 (H-RU), with parts 012, 013
10	0020018462	Clip, (x10)	12KTO20 Panther/R1 (H-RU)
11	0020097197	Clip, (x10)	12KTO20 Panther/R1 (H-RU)
12	0020039764	Clip	12KTO20 Panther/R1 (H-RU)
13	0020047026	O-ring, (x10)	12KTO20 Panther/R1 (H-RU)
14	0020211087	Gasket, (x10)	12KTO20 Panther/R1 (H-RU)
15	0020014177	O-ring, (x10)	12KTO20 Panther/R1 (H-RU)
16	0020014193	Sealing ring, (x10)	12KTO20 Panther/R1 (H-RU)
17	0020014192	Gasket, red large	12KTO20 Panther/R1 (H-RU)
18	-	-	12KTO20 Panther/R1 (H-RU), not for these appliances
19	-	-	12KTO20 Panther/R1 (H-RU), not for these appliances
20	-	-	12KTO20 Panther/R1 (H-RU), not for these appliances
21	-	-	12KTO20 Panther/R1 (H-RU), not for these appliances

Wall-hung boilers (fan-assisted system)

12KTO20 Panther/R1 (H-RU)

12 - Control box



02 - 0 - 12 - 09

Wall-hung boilers (fan-assisted system)

12KTO20 Panther/R1 (H-RU)

12 - Control box

Pos.	Article	Description	Note
01	0020213176	Housing	12KTO20 Panther/R1 (H-RU), with part 002
02	0020079603	Fuse, 2,0 A T2H, (x10)	12KTO20 Panther/R1 (H-RU)
03	0020233682	Display	12KTO20 Panther/R1 (H-RU)
04	0020254535	PCB	12KTO20 Panther/R1 (H-RU), from serial number 211736001... including
05	0020084515	Cable tree (harness)	12KTO20 Panther/R1 (H-RU)
06	-	-	12KTO20 Panther/R1 (H-RU), not for these appliances
07	0020200631	Spacer	12KTO20 Panther/R1 (H-RU)
08	-	-	12KTO20 Panther/R1 (H-RU), not for these appliances
09	0020079417	Strain relief, kit	12KTO20 Panther/R1 (H-RU)
10	0020197553	Wiring harness	12KTO20 Panther/R1 (H-RU)
11	0020200650	Wiring harness	12KTO20 Panther/R1 (H-RU)
12	0020175568	Plug, (x5)	12KTO20 Panther/R1 (H-RU)
13	0020175566	Cable strain relief	12KTO20 Panther/R1 (H-RU)
14	-	-	12KTO20 Panther/R1 (H-RU), not for these appliances
15	-	-	12KTO20 Panther/R1 (H-RU), not for these appliances
16	0020200666	Cable	12KTO20 Panther/R1 (H-RU)
17	-	-	12KTO20 Panther/R1 (H-RU), not for these appliances