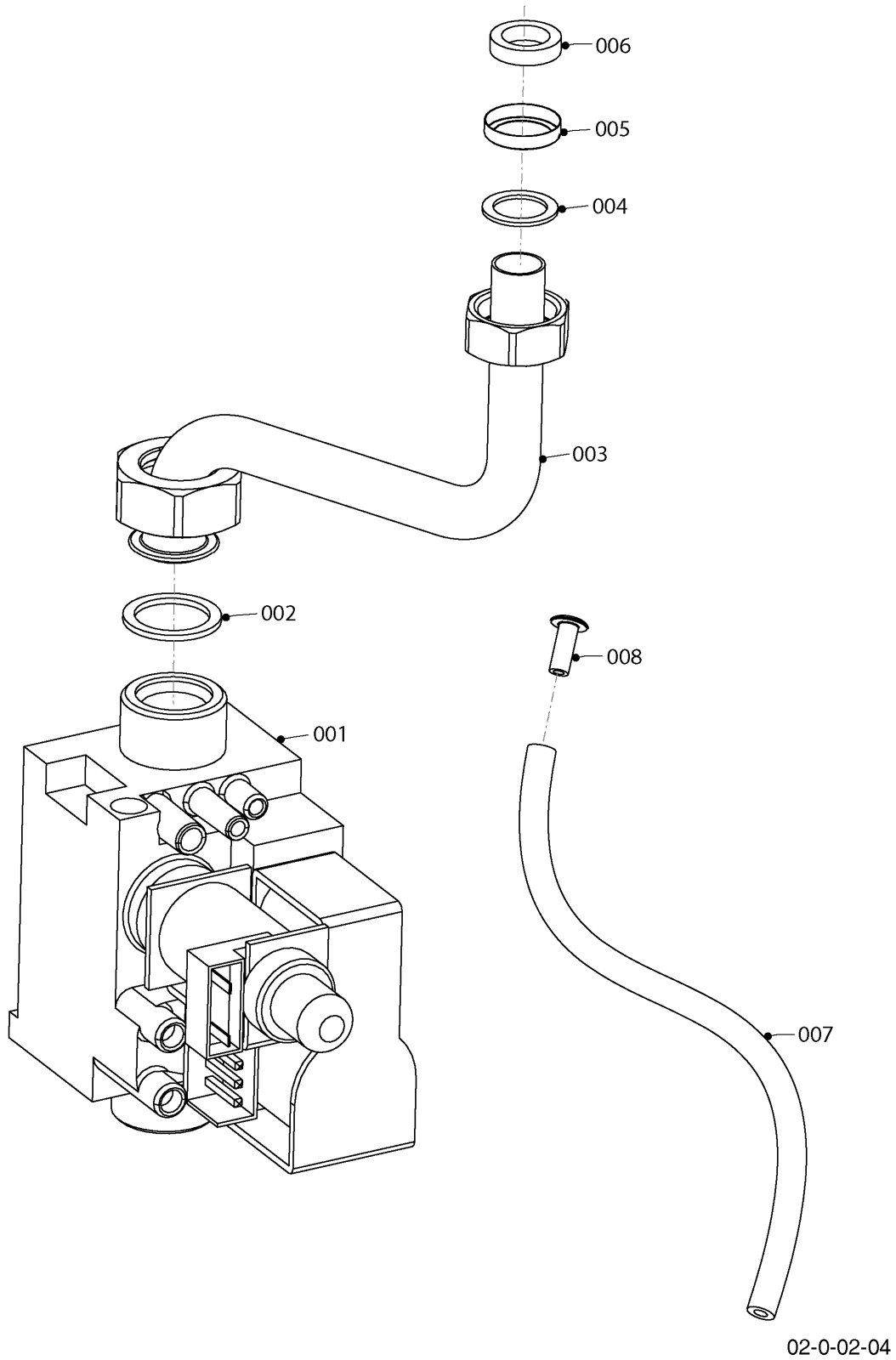


Wall-hung boilers (fan-assisted combi)

Lynx HK28

02 - Gas section



Wall-hung boilers (fan-assisted combi)

Lynx HK28

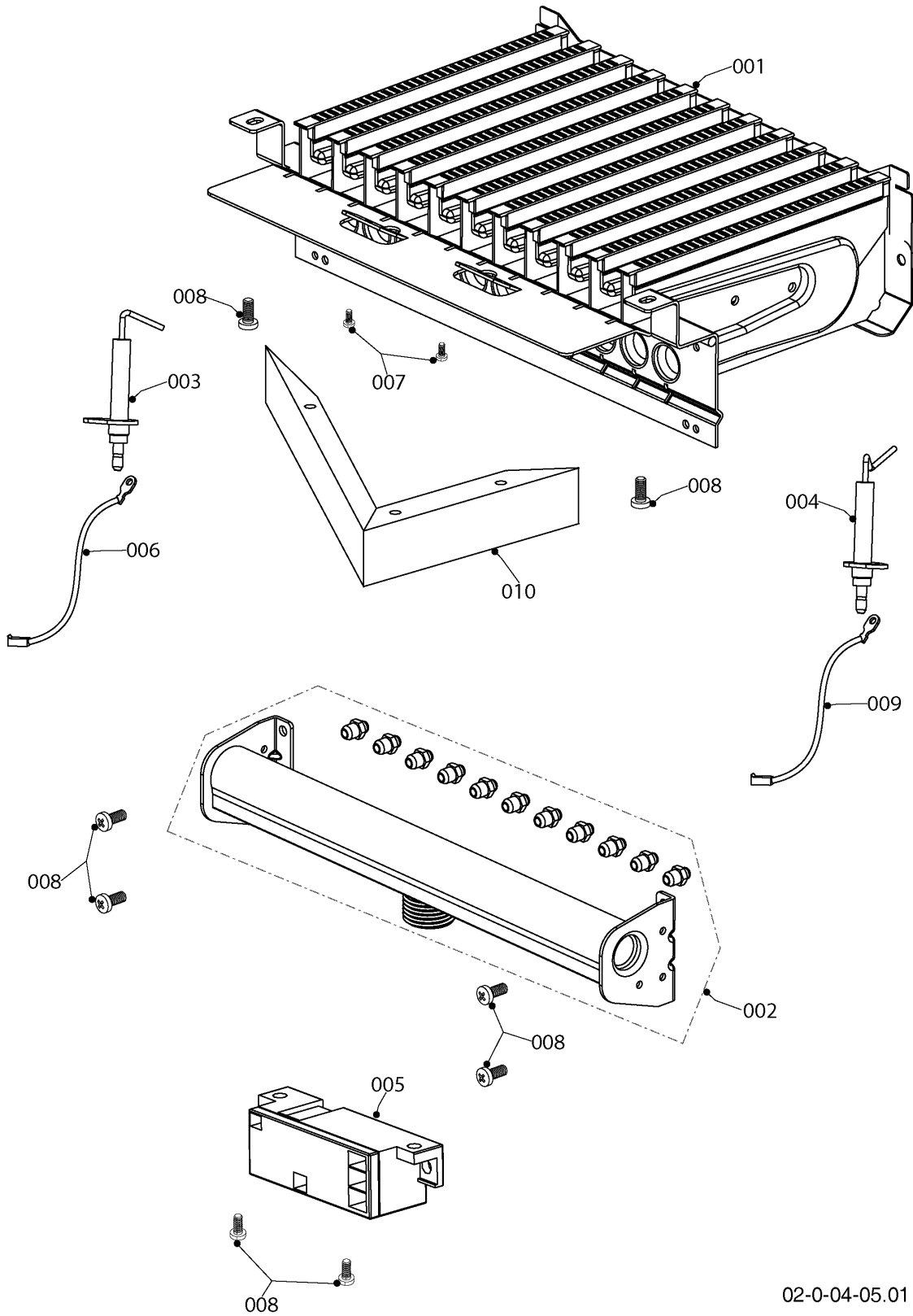
02 - Gas section

Pos.	Article	Description	Note
001	0020118636	Gas valve	
002	0020118627	Gasket, (x10)	
003	0020118601	Gas pipe	
004	0020118623	Washer, gas connection, (x10)	
005	0020118629	Gasket, gas pipe, (x10)	
006	0020118708	Nitryl gasket (gas pipe)	
007	0020119798	Hose	
008	D003201539	Rivet (rb48120s)	

Wall-hung boilers (fan-assisted combi)

Lynx HK28

04 - Burner



02-0-04-05.01

Wall-hung boilers (fan-assisted combi)

Lynx HK28

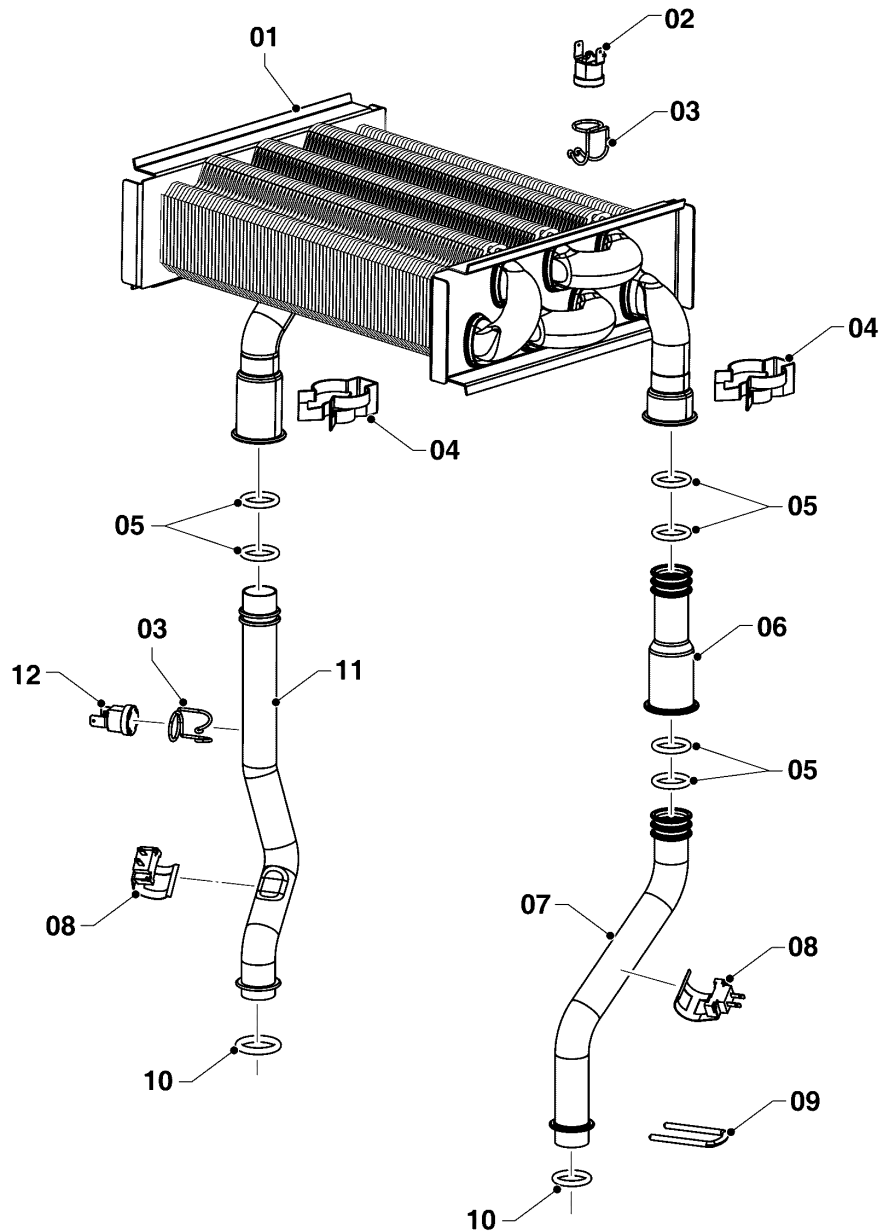
04 - Burner

Pos.	Article	Description	Note
001	0020118597	Burner 28 kw	
002	0020118610	Manifold(collector+injector) lpg-28	LPG
002	0020118608	Manifold(collector+injector) ng-28	NG
003	0020118685	Ignition electrode	
004	0020118686	Ionization electrode	
005	0020118700	Ignition transformer	
006	0020118743	Earthing terminal ignition transformer	
007	0020118621	Screw, 3.5 x 9.5 mm, (x10)	
008	0020118709	Screw, 4 x 9.5, (x10)	
009	0020118776	Ionisation electrode cable	
010	-	-	not available

Wall-hung boilers (fan-assisted combi)

Lynx HK28

06 - Heat exchanger



02 - 0 - 06 - 13.03

Wall-hung boilers (fan-assisted combi)

Lynx HK28

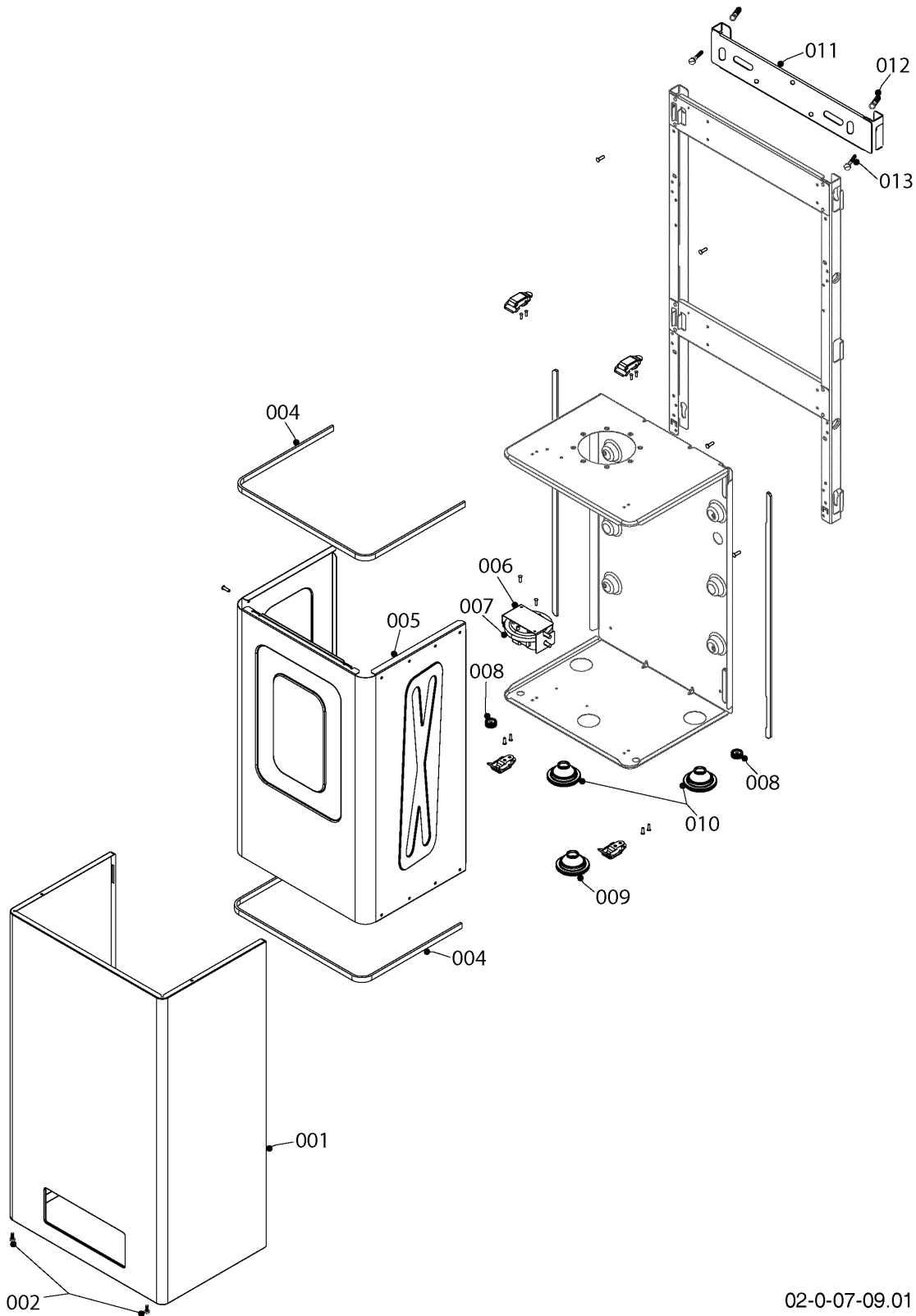
06 - Heat exchanger

Pos.	Article	Description	Note
01	0020118599	Heat exchanger 28 kw	
02	0020118652	Overheat safety thermostat - 130 c	
03	0020118644	Clip, 3003200379 overheat stat, (x10)	
04	0020118663	Clip, (x10)	
05	0020118658	O-ring, heat exchanger, (x10)	
06	0020119600	Pipe, pump connection, Atron 24-28kW Sho	
07	0020119601	Pipe, pump connection, Atron, 28 kW	
08	0020119602	Sensor - NTC Surface Type -5C to 105C	
09	0020119607	Spring clip 18/20 needle	
10	0020118671	O-ring, (x10)	
11	0020119768	Pipe, CH flow (3WV), Atron-Lynx 24 kW	
12	0020118653	Limit thermostat 98/70 c (bott/left)	98/70 °C

Wall-hung boilers (fan-assisted combi)

Lynx HK28

07a - Casing parts



02-0-07-09.01

Wall-hung boilers (fan-assisted combi)

Lynx HK28

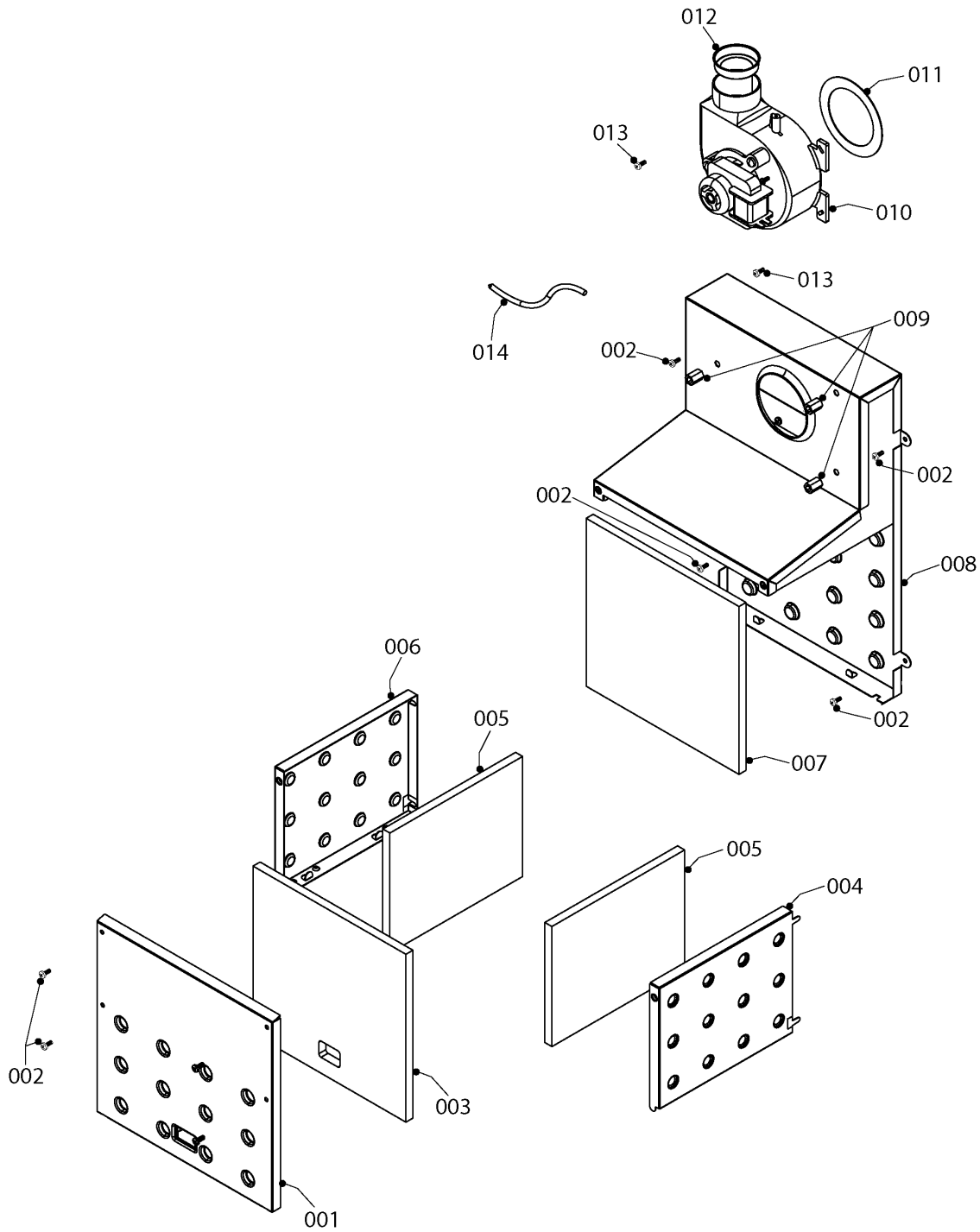
07a - Casing parts

Pos.	Article	Description	Note
001	0020118604	Front panel 28 kW	
002	0020118709	Screw, 4 x 9.5, (x10)	
004	0020118694	Herm.cabin front cover leak. gasket-28kw	
005	0020118606	Hermetic cabin front cover 28 kw	
006	0020118632	Support,Bracket for aps	
007	0020118742	Air pressure switch	
008	0020118625	Gasket, (x10)	electrode ionisation
009	0020118645	Grommet - (for water pipe) pk10	gas
010	0020118660	Grommet - large pk5	
011	0020118751	Hanging bracket 28 kW	
012	0020118633	Raw plugs, (x10)	
013	0020118622	Screw, (x10)	

Wall-hung boilers (fan-assisted combi)

Lynx HK28

07b - Casing parts



02-0-07-10.01

Wall-hung boilers (fan-assisted combi)

Lynx HK28

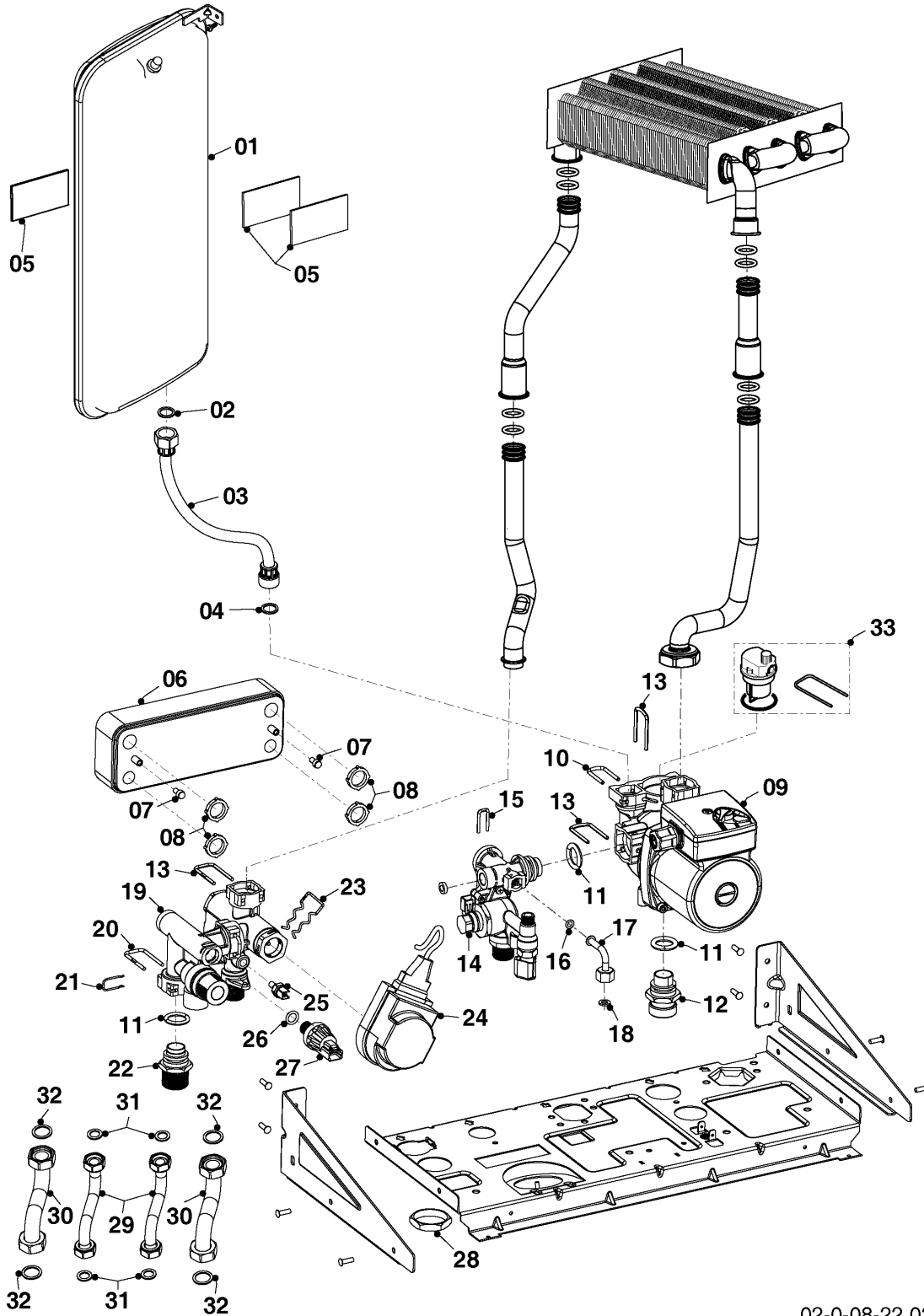
07b - Casing parts

Pos.	Article	Description	Note
001	0020118675	Combustion chamber front panel 28 kw	
002	0020118709	Screw, 4 x 9.5, (x10)	
003	0020118689	Isolation plate	front
004	0020118677	Combustion chamber side panel (right)	right
005	0020118687	Isolation plate	left/right
006	0020118676	Combustion chamber side panel (left)	left
007	0020118691	Isolation plate	back
008	0020118679	Fan hood 28 kW	
009	0020118664	M4 insert nut hexagon (fan hood)	
010	0020118666	Fan	
011	0020118695	Gasket (fan)	
012	0020118753	Fan diaphragm 28 kW	
013	0020118712	Screw (fan) 4x15 tsb pk10	
014	0020119801	Hose	

Wall-hung boilers (fan-assisted combi)

Lynx HK28

08a - Hydraulic parts



02-0-08-22.03

Wall-hung boilers (fan-assisted combi)

Lynx HK28

08a - Hydraulic parts

Pos.	Article	Description	Note
01	0020118680	Expansion vessel	
02	0020118661	Washer, rubber for flex hose, (x10)	
03	0020118703	Expansion vessel connection pipe	
04	0020118667	O-ring, (x10)	
05	0020118754	Sponge of expansion vessel (inner side)	
05	0020118656	Sponge of expansion vessel (outer side)	
06	0020119605	Heat exchanger, 10 plates, Neva Alfalaval	
06	0020119606	Heat exchanger, 12 plates, Neva Alfalaval	
07	0020118647	Screw, M 5 x 20 allen, (x10)	
08	0020118654	O-ring, plate heat exchanger, (x10)	
09	0020119604	Pump	available until sold out, then replaced by HE pump
09	0020123125	Pump, HEP UPM3 15-70 Flex	In case of upgrading SD to HE pump please order also adapter 0010030686!
09	0010030686	Plug	
09	0010026674	Plug, PWM	
10	0020118634	Clip, pump / heat exchanger, (x10)	
11	0020118641	O-ring, (x10)	
12	0020061599	Nipple (3/4)	
13	0020061600	Clip, for pump connection nut, (x10)	
14	0020118699	Hydroblock (cold water block)	
15	0020118669	Hydroblock I pipe clips	
16	0020118672	Gasket-5,28x1,78(fill.valve conn.pipe)	
17	0020118668	Hydroblock I pipe (filling)	
18	0020118670	Gasket-11x6x1,5(fill.valve conn.pipe)	
19	0020118698	Hydroblock (3 way valve block)	

Wall-hung boilers (fan-assisted combi)

Lynx HK28

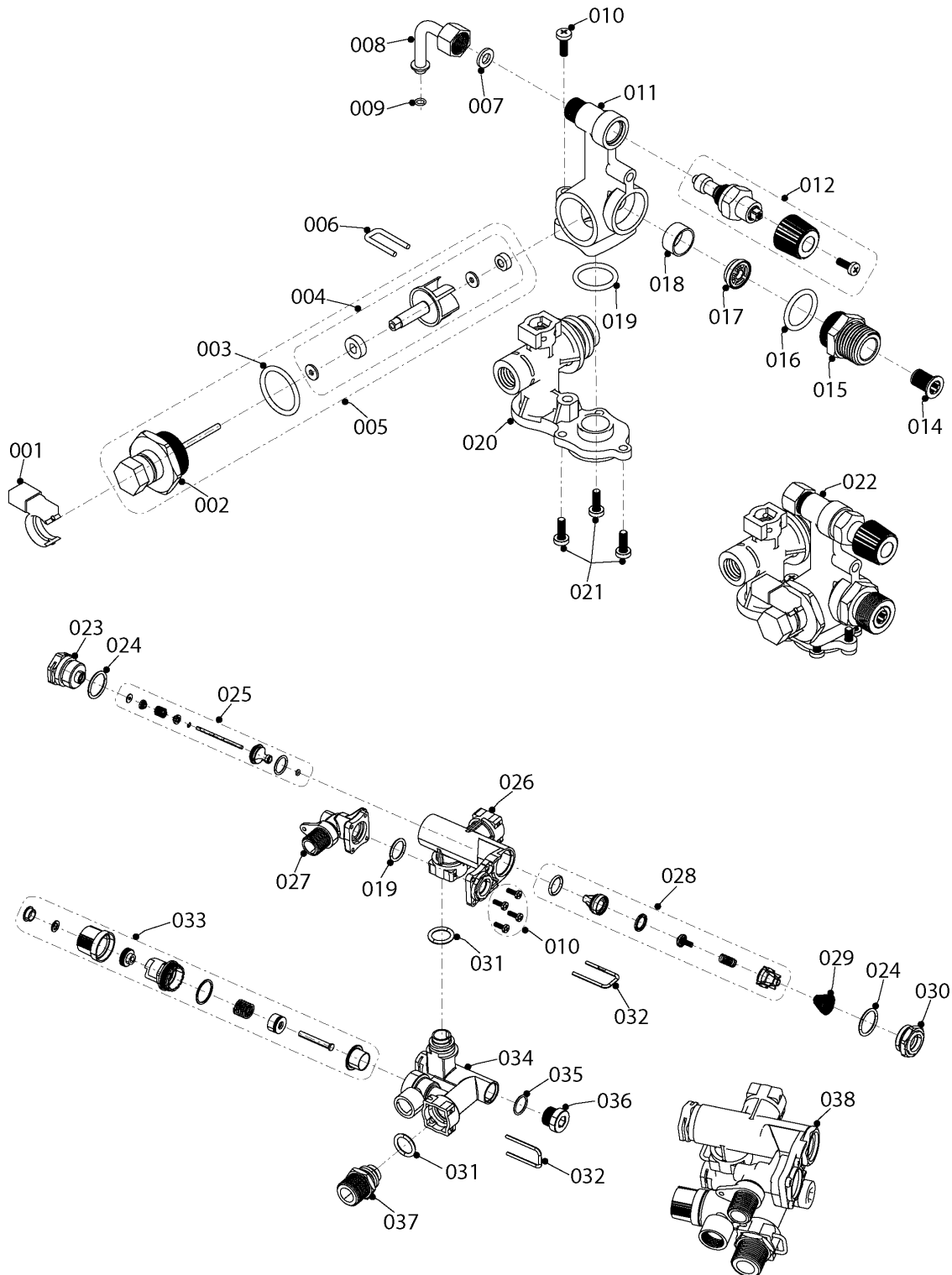
08a - Hydraulic parts

Pos.	Article	Description	Note
20	0020118732	Clip, (x10)	
21	0020118705	Clip, pressure sensor	
22	0020118736	Outlet nipple	
23	0020118655	Clip - 3 way valve motor pk10	
24	0020119256	Diverter Valve Motor only	
25	0020118638	Sensor - ntc immersion (-40c to 110c)	
26	0020118704	O-ring	
27	0020118696	Pressure sensor	
28	0020118702	Nut	
29	0020118649	Accessory pipe - 1/2	1/2"
30	0020118648	Accessory pipe - 3/4	3/4"
31	0020118624	Gasket, heat exch. outlet pipe, (x10)	
32	0020118627	Gasket, (x10)	
33	0020014161	Automatic air vent	

Wall-hung boilers (fan-assisted combi)

Lynx HK28

08b - Hydraulic parts



02-0-08-23

Wall-hung boilers (fan-assisted combi)

Lynx HK28

08b - Hydraulic parts

Pos.	Article	Description	Note
001	0020118650	Flow sensor and cable	
002	0020118717	Cap	
003	0020118718	O-ring, 17.86x2.62, (x10)	
004	0020118719	Turbine group	
005	0020118662	Impeller kit	
006	0020118669	Hydroblock I pipe clips	
007	0020118670	Gasket-11x6x1,5(fill.valve conn.pipe)	
008	0020118668	Hydroblock I pipe (filling)	
009	0020118672	Gasket-5,28x1,78(fill.valve conn.pipe)	
010	0020118710	Screw, M4 x 8	
011	0020118727	Cold water group bottom brass part	
012	0020118758	Filling valve group (with seal, 2. type)	replaced by 0020119802
012	0020119802	Filling Valve Group, Hydrolics, Atron	
014	0020118726	Inlet filter	
015	0020118725	Water outlet nipple	
016	0020118724	O-ring, 16x2	
017	0020118651	Flow limiter, 12 lt 20 kw - 24 kw, (x10)	
018	0020118723	Ring, plastic	
019	0020118182	O-ring (x10)	
020	0020118721	Cold water group top plastics part	plastic
021	0020098269	Screw	
022	0020118699	Hydroblock (cold water block)	
023	0020118728	Housing - 3wv	
024	0020118186	O-ring (x10)	
025	0020118196	Diverter valve	
026	0020118739	Upper pastic block 3wv	
027	0020118730	Bottom brass connection 3wv	bottom, brass
028	0020118195	Bypass	
029	0020118740	By pass spring	

Wall-hung boilers (fan-assisted combi)

Lynx HK28

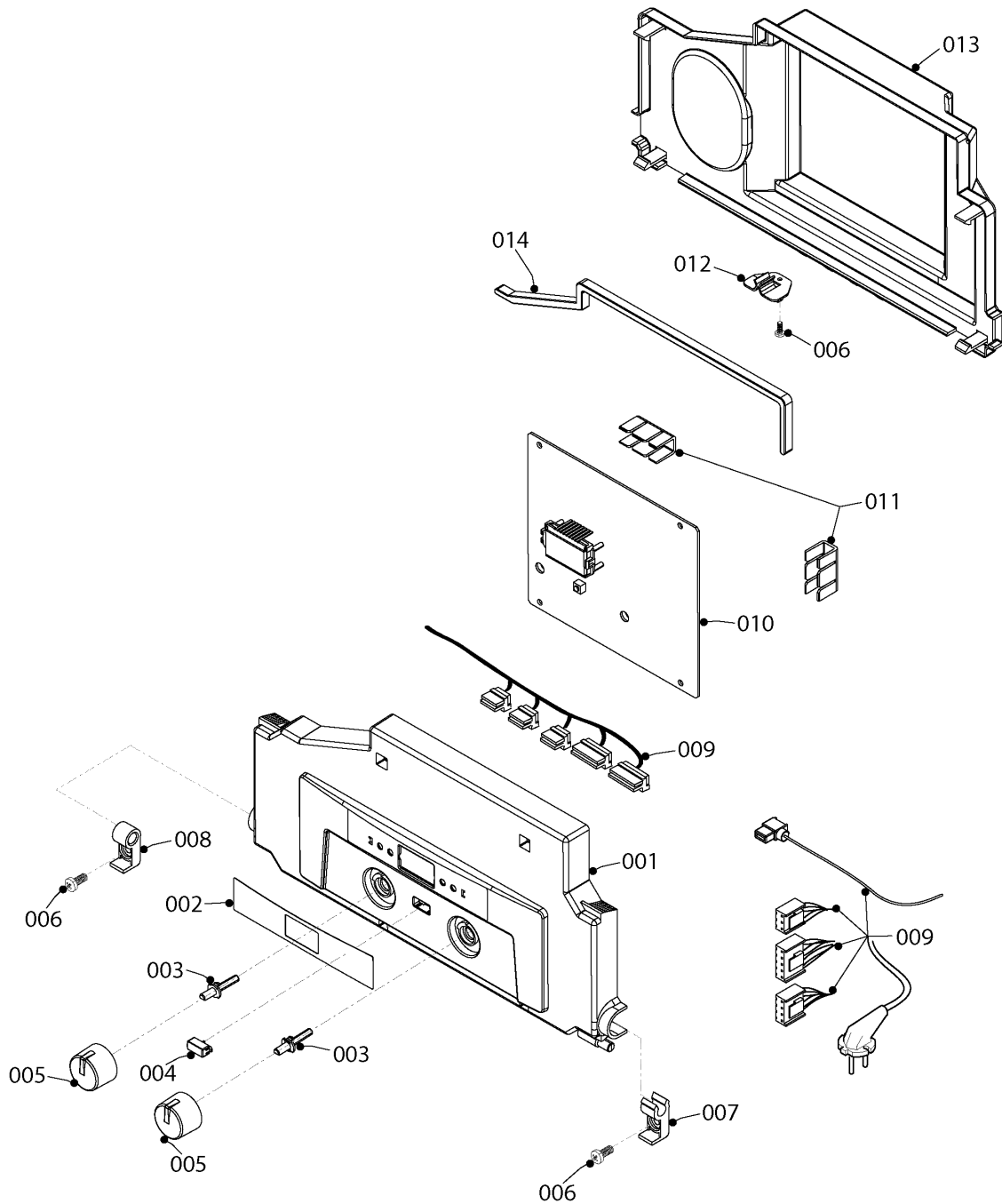
08b - Hydraulic parts

Pos.	Article	Description	Note
030	0020118191	Cap	
031	0020118641	O-ring, (x10)	
032	0020118732	Clip, (x10)	
033	0020118190	Pressure relief valve	
034	0020118733	Prv block	plastic
035	0020118737	O-ring, 17.17 x 1.78, (x10)	
036	0020118738	Cap	
037	0020118736	Outlet nipple	
038	0020118698	Hydroblock (3 way valve block)	

Wall-hung boilers (fan-assisted combi)

Lynx HK28

12 - Control box



02-0-12-04

Wall-hung boilers (fan-assisted combi)

Lynx HK28

12 - Control box

Pos.	Article	Description	Note
001	0020118707	Plastic panel (protherm-kx)	
002	0020118749	Makrofol (black)	
003	0020118643	Spindle, white, (x10)	
004	0020118716	Button (protherm-kx combi)	
005	0020118706	Knob (protherm-kx combi) pk10	
006	0020118709	Screw, 4 x 9.5, (x10)	
007	0020118682	Control panel holder (plastics) - right	right
008	0020118683	Control panel holder (plastics) - left	left
009	0020119603	Harness,Lynx Sigma,Hermetic	
010	0020119390	Mainboard, Protherm Lynx, sit (v1.8)	
011	0020118713	Cable holder plastics	
012	0020118684	Control panel support (plastics)	plastic
013	0020118777	Plastic cover (rear)	
014	0020118746	Control panel seal	