

Wall-hung boilers (conventional flue combi)

24KOV18 Panther

00 - General view

Pos.	Article	Description	Note
001	0020014164	Retaining clip, wire, (x10)	
002	0020014176	Clip, (x10)	
003	0020014177	O-ring, (x10)	
004	0020014183	O-ring, (x10)	
005	0020020741	O-ring	
006	0020020774	Support, (kit of 2)	
007	0020033473	Gasket, 15x8x2, (x10)	
008	0020033836	Nut 3/8 low	
009	0020033932	Sealing ring, AFM 34 18x10x2, (x10)	
010	0020034106	Reflex foil -II	
011	S5742700	Spark generator	
012	0020034840	Ionisation electrode DIN	
013	2000801889	Manifold - Gas G20	
014	0020035043	Mount sensor 18mm-JS3227/17	
015	0020035528	Ignition electrode DIN	
016	0020035609	sWire gripping 0174820	
017	0020049253	Bracket side exp. vessel	
018	0020049254	Bracket gas valve	
019	0020068845	Bracket - hinge	
020	0020049256	e-box reflector	
021	0020049258	Basic 18	
022	0020049261	Flue thermostat 65+-3°C	
023	0020049262	Gas pipe bottom 18	
024	0020049263	tube, upper 18	
025	0020049264	tube, input 18	
026	0020049265	Pipe HVV output 18	
027	0020049266	Pipe exp. vessel 18	
028	0020049267	Expansion vessel 7 l	
029	0020049273	E. box clip	
030	0020039701	frame	
031	S1004800	Draft diverter	
032	0020049285	Burner, 14 blades (packaged)	
033	0020049286	Frontsheet 24kW	

Wall-hung boilers (conventional flue combi)

24KOV18 Panther

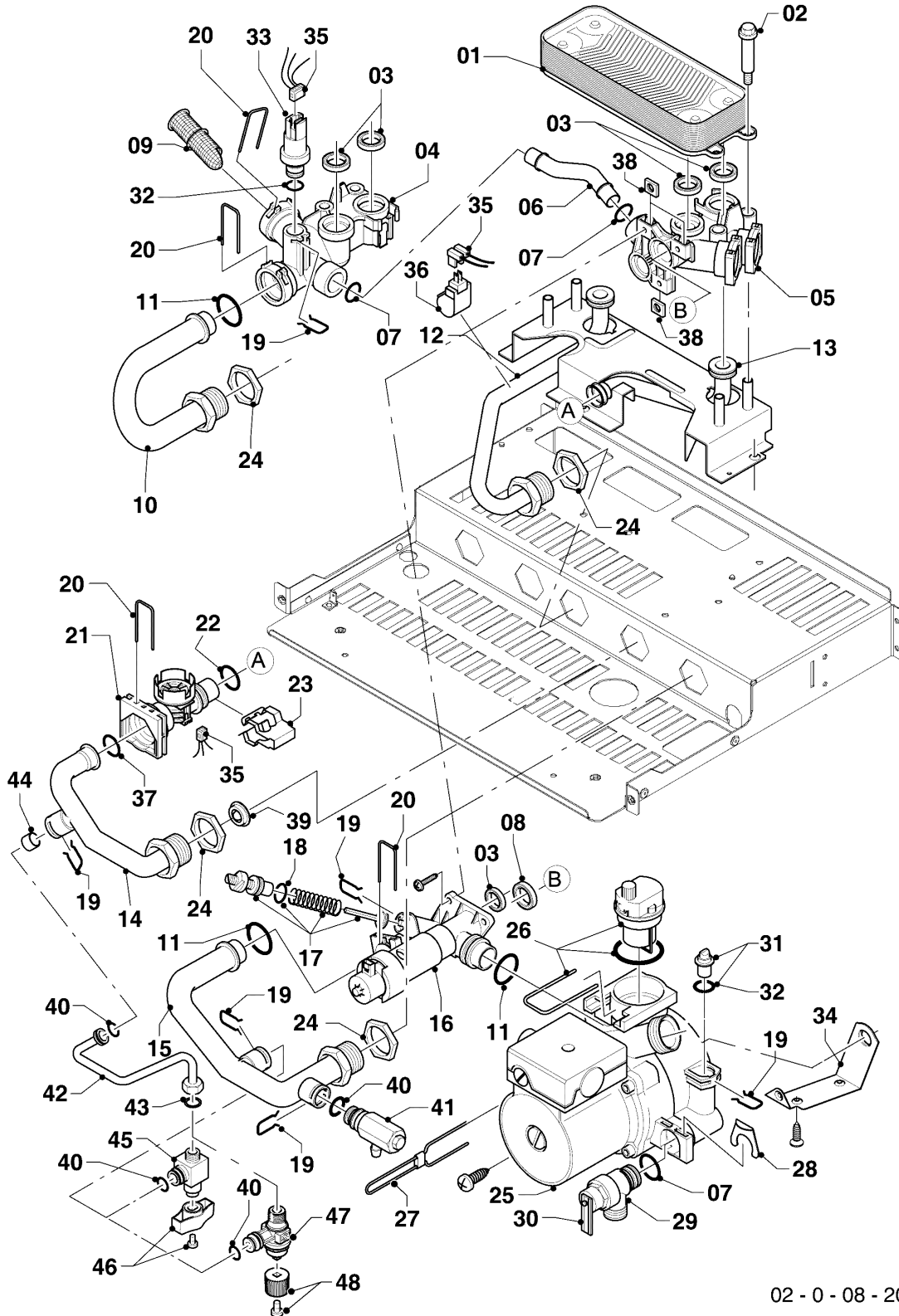
00 - General view

Pos.	Article	Description	Note
034	0020142418	Heat exchanger	
035	0020049289	Clip	
036	0020049292	Gas flow restrictor 6,30	
037	0020039188	Gas valve assembly, with regulator 12mm	24KOV18 Panther
038	0020047005	Pressure relief valve, 3 bar	
039	0020049280	Seal, program connector	
040	0020049302	Back insulation, heating cell	
041	0020049303	Front insulation, heating cell	
042	0020049304	Side insulation, heating cell	
043	0020034738	Thermoreflector E	
044	0020038359	Knob	
045	0020049259	Side cover L+R 18 paint.	
046	0020049260	Front cover P18 paint.	
047	0020049305	back combustion chamber (assembly cond.)	
048	0020025183	Appliance interface harness	
049	0020038355	Casing	
050	0020038356	Display v.18	
051	0020038357	Back panel	
052	0020038358	Cover	
053	0020038360	Switch	
054	0020038362	Wiring harness	
055	0020038361	Harness	
056	0020049268	PCB, cpl. Panther	
057	0020095659	Harness, eBox-ignition transformer	
058	0020095661	Harness, main, ATMO	
059	0020092827	Harness - hydraulic 24KXV18	
060	-	-	not available
061	0020132433	Gas connection G1/2 - G3/4	
062	0020132434	Gas connection G3/4 - G3/4	

Wall-hung boilers (conventional flue combi)

24KOV18 Panther

08 - Hydraulic parts



02 - 0 - 08 - 20.02

Wall-hung boilers (conventional flue combi)

24KOV18 Panther

08 - Hydraulic parts

Pos.	Article	Description	Note
01	0020059452	Heat exchanger dhw (12 plates)	
02	0020038094	Screw, M5X87, (x4)	
03	0020014166	Gasket, type C, (x10)	
04	0020038227	Connection piece	
05	0020038228	Connection piece	
06	0020038230	Pipe	
07	0020038089	O-ring, (x10)	
08	0020014182	Gasket, type C, (x10)	
09	0020038234	Filter	
10	0020038125	Pipe	
11	0020014183	O-ring, (x10)	
12	0020038127	Pipe	
13	0020038093	Pipe	
14	0020038126	Pipe	
15	0020038128	Pipe	
16	0020014168	Valve	
17	0020014169	Bypass	
18	0020014195	O-ring, (x10)	
19	0020014164	Retaining clip, wire, (x10)	
20	0020014176	Clip, (x10)	
21	0020014174	Flow sensor (black)	
22	0020014175	O-ring, (x10)	
23	0020038090	Clip	
24	0020014186	Nut, (x4)	
25	0020078492	Pump	available until sold out, then replaced by HE pump
25	0010030668	Pump, high-efficiency	In case of upgrading SD to HE pump please order also cable 0010032760!
25	0010032760	Cable	
26	0020014161	Automatic air vent	
27	0020038628	Clip	
28	0020014185	Clip, (x10)	
29	0020047005	Pressure relief valve, 3 bar	

Wall-hung boilers (conventional flue combi)

24KQVR18 Panther

08 - Hydraulic parts

Pos.	Article	Description	Note
30	0020038081	Lever	
31	0020042744	Plug	
32	0020014177	O-ring, (x10)	
33	0020079644	Sensor	
34	0020014172	Support	
35	0020014162	Harness	
36	0020014160	Sensor NTC (DHW outlet pipe)	
37	0020014194	O-ring, (x10)	
38	0020038229	Nut	
39	0020014663	Flow limiter, 10 L, (x10)	since 11/2013 replaced by 05427900 This item is no longer available. Further information can be obtained from your Vaillant Group contact person.
39	05427900	Flow limiter, 10l/min, (x10)	
40	0020038132	O-ring, (x10)	
41	0020038136	Drain cock	
42	0020038133	Pipe	
43	0020038134	Sealing ring, (x10)	
44	0020038131	Non-return valve	
45	0020265139	Valve, filling	
46	0020045075	Handle, (kit of 2)	
47	0020265139	Valve, filling	
48	0020265140	Lever	