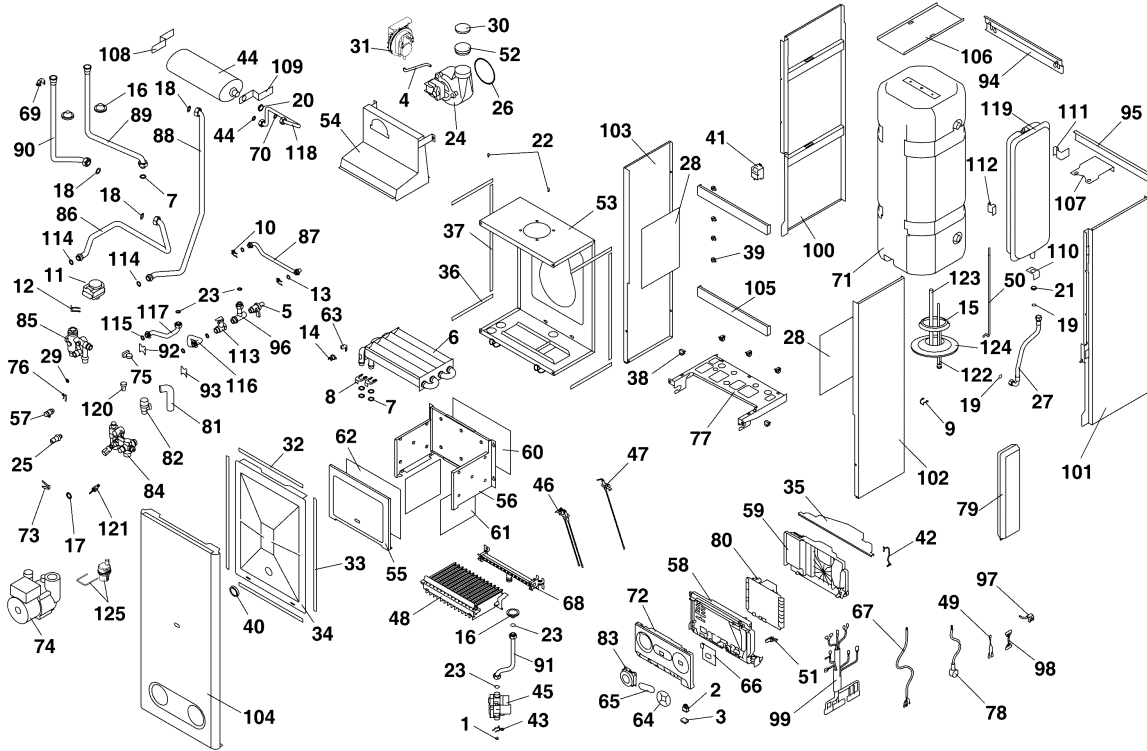


Wall-hung boilers (fan-assisted with DHW storage)

24KTZR17 Tiger

00 - General view



02 - 0 - 00 - 50.03

Wall-hung boilers (fan-assisted with DHW storage)

24KTZR17 Tiger

00 - General view

Pos.	Article	Description	Note
002	0020033233	Mains On/Off switch	
003	0020033241	Bubble of 1 pole switches	
004	0020033263	Silicon hose to manostat	
005	0020044776	drain valve	
006	0020025264	Heat exchanger	
007	0020043217	O-ring, (x10)	
008	0020033344	Clip for exchanger	
009	0020033365	Spring of safety sensor TG	
010	0020033428	Clip for by-pass	
011	0020025278	Motor, 3way valve	
012	0020033430	Clip to electromotor block	
013	0020033433	Seal, OR 2050, (x10)	
014	0020027575	Thermostat bim.non-revers.	
015	0020035066	Seal to flange lid 45l SANICEL	
016	0020033462	Grommet I 326 14mm	
017	0020033467	O-Ring, 18x3,5, (x10)	
018	0020027665	Sealing ring 24x15x2, (x10)	
019	0020033473	Gasket, 15x8x2, (x10)	
020	0020033835	Nut 1/2 low	
021	0020033836	Nut 3/8 low	
022	0020033921	Limiting pin 70004250	
023	0020033932	Sealing ring, AFM 34 18x10x2, (x10)	
024	0020023215	Fan	
025	S5720500	Pressure sensor	
026	0020034094	Gasket, fan J, (x5)	
027	0020034104	Hose arm. 3/8-3/8-elbow 30cm	
028	0020034106	Reflex foil -II	
029	0020034114	O-Ring, 14x9,5x2,5, (x10)	
030	0020034144	Shield J	
031	0020027605	Air pressure switch	
032	0020086931	Sea. tape self-stick 18x20x893	

Wall-hung boilers (fan-assisted with DHW storage)

24KTZR17 Tiger

00 - General view

Pos.	Article	Description	Note
033	0020086931	Sea. tape self-stick 18x20x893	
034	0020034686	Cover, TURBO E	
035	0020034690	Operation panel strip	
036	0020034691	Self adhes. seal tape 15X218X10	
037	0020034692	Self adhes. seal tape 15X488X10	
038	0020034693	Wire gripping 057656	
039	0020035609	sWire gripping 0174820	
040	0020034697	Gasket with glass	
041	S5742700	Spark generator	
042	0020034724	Control panel string	
043	0020034725	Clip gas valve SD	
044	0020027617	EXPANSION VESSEL 2L	
045	S1071600	Gas valve assembly, G20, G25	natural gas
045	S1071500	Gas valve assembly, G30	LPG
046	0020035528	Ignition electrode DIN	
047	0020034840	Ionisation electrode DIN	
048	0020035604	Burner parts-U	
049	0020034914	Wire GND (Q254)	
050	0020027633	Sensor SO10045	
051	0020034940	Cable holder-125282	
052	0020044002	Flue system reduction SD	Unavailable!
053	0020044040	Turbo basic J16	
054	0020034964	Flue hood J16	
055	0020034965	Front combustion cover J16	
056	0020034966	Combustion basic J16	
057	0020034971	Air vent 1/4-ART.347	
058	0020034983	El.box-125891	
059	0020034984	El.box cover-123003	
060	0020034993	Insulation of c.ch. 202x310	
061	0020034994	Insulation of c.ch. 161x186	
062	0020034995	Insulation of c.ch. 234x288	

Wall-hung boilers (fan-assisted with DHW storage)

24KTZR17 Tiger

00 - General view

Pos.	Article	Description	Note
063	0020035006	Thermostat clip AVB	
064	0020035031	El. panel foil-BXV16	
065	0020035032	El. panel foil-BXV16-oval	
066	0020044568	Display panel PUI Tiger v.17	
067	0020035035	Wire - Z057	
068	0020044942	Burner ramp SD 14 ram.1.30DIN	
069	0020035043	Mount sensor 18mm-JS3227/17	
070	0020035050	Flat ring 18,5x10x2 Cu -annealed	
071	0020025251	Storage water heater 45L SANICELL	Connection kit is not a part of this spare part. To be ordered separately: 0020072165
072	0020035075	Operation panel 24BTV/BOV17	
073	0020035077	Pump clip NFSL 12/5-3PL12	
074	0020027644	Pump NFSL/PREMIUM-3-CRF-12	available until sold out, then replaced by HE pump
074	0010030660	Pump, high-efficiency	In case of upgrading SD to HE pump please order also adapter 0010030684!
074	0010030684	Plug	
075	0020027652	Flow sensor	
076	0020035080	Clip pressure sensor	
077	0020035081	Hydroblock beam - L17	
078	0020035097	Wire pump	
079	0020043720	Set - hanging v.17	
080	S1047000	Printed circuit board	
081	0020043931	Hose SP 130-20mm	
082	0020035129	Safety valve, 300 kPa 1/2'-V17	
083	0020035131	Mech. clock RM/1Q.TUH	

Wall-hung boilers (fan-assisted with DHW storage)

24KTZR17 Tiger

00 - General view

Pos.	Article	Description	Note
084	0020035132	Hydroblock input T17	
085	0020035133	Hydroblock output T17	
086	0020035515	Tank tube input-T17	
087	0020035516	Tube by-pass-T17	
088	0020035517	Tank tube output-T17	
089	0020035518	Tube input VV 24KXZ17	
090	0020035519	Tube output VV 24KXZ17	
091	0020035520	Gas tube 24KXZ17	
092	0020035521	Clip hydroblock left T17	
093	0020035522	Clip hydroblock right T17	
094	0020035523	Beam of top tank frame	
095	0020035524	Beam of down tank frame	
096	0020035525	T-fitting KXZ17	
097	0020035544	Wire-ZIG2-3WV	
098	0020035545	Wire-PUIT+timer	
099	0020035546	Wire 24KTZ17	
100	0020035550	Tank side cover L	
101	0020035551	Tank side cover R	
102	0020035552	Side cover P - T17	
103	0020035553	Side cover L - T17	
104	0020035554	Front panel, T-17	
105	0020044682	Holder beam front T17	
106	0020044683	Top tank holder - T17	
107	0020044684	Down tank holder - T17	
108	0020044685	Expansion holder DHW L - T17	
109	0020044686	Expansion holder DHW R - T17	
110	0020044687	Expansion holder down - T17	
111	0020044688	Expansion holder side - T17	
112	-	-	not available
113	0020035555	Safety valve 600kPa 1/2	
114	0020035556	O- Ring 15x2,65	
115	0020035557	O-ring, 13x2,5, (x10)	

Wall-hung boilers (fan-assisted with DHW storage)

24KTZR17 Tiger

00 - General view

Pos.	Article	Description	Note
116	0020035558	Tube TUV inlet KXZ17	
117	0020035559	Tube TUV outlet KXZ17	
118	0020035560	Expansion tube TUV KXZ17	
119	0020035561	Expansion vessel 8l-Z	
120	0020035580	Flow sensor - turbine	
121	0020044914	Refill valve v.17 (12.0061)	
122	0020056507	Double copper sheath - 45l water tank SP	
123	0020027643	Anode to boiler 45l SANICELL	
124	0020035065	Flange lid to boiler 45l SANIC	
125	S1024500	Automatic de-aerator	