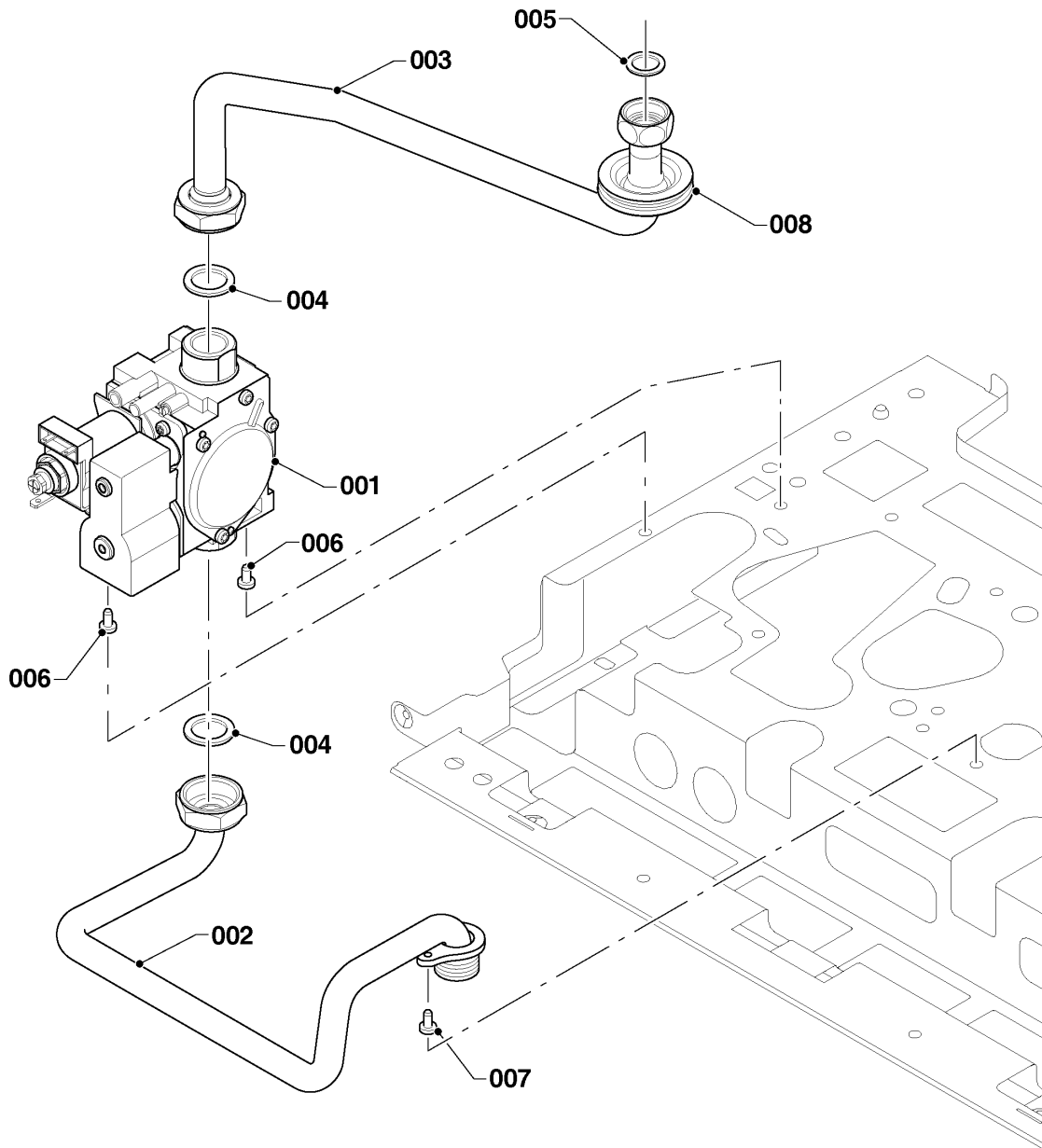


Wall-hung boilers (fan-assisted combi)

30KTV20 Panther/R1 (H-RU)

02 - Gas section



02 - 0 - 02 - 06

Wall-hung boilers (fan-assisted combi)

30KTV20 Panther/R1 (H-RU)

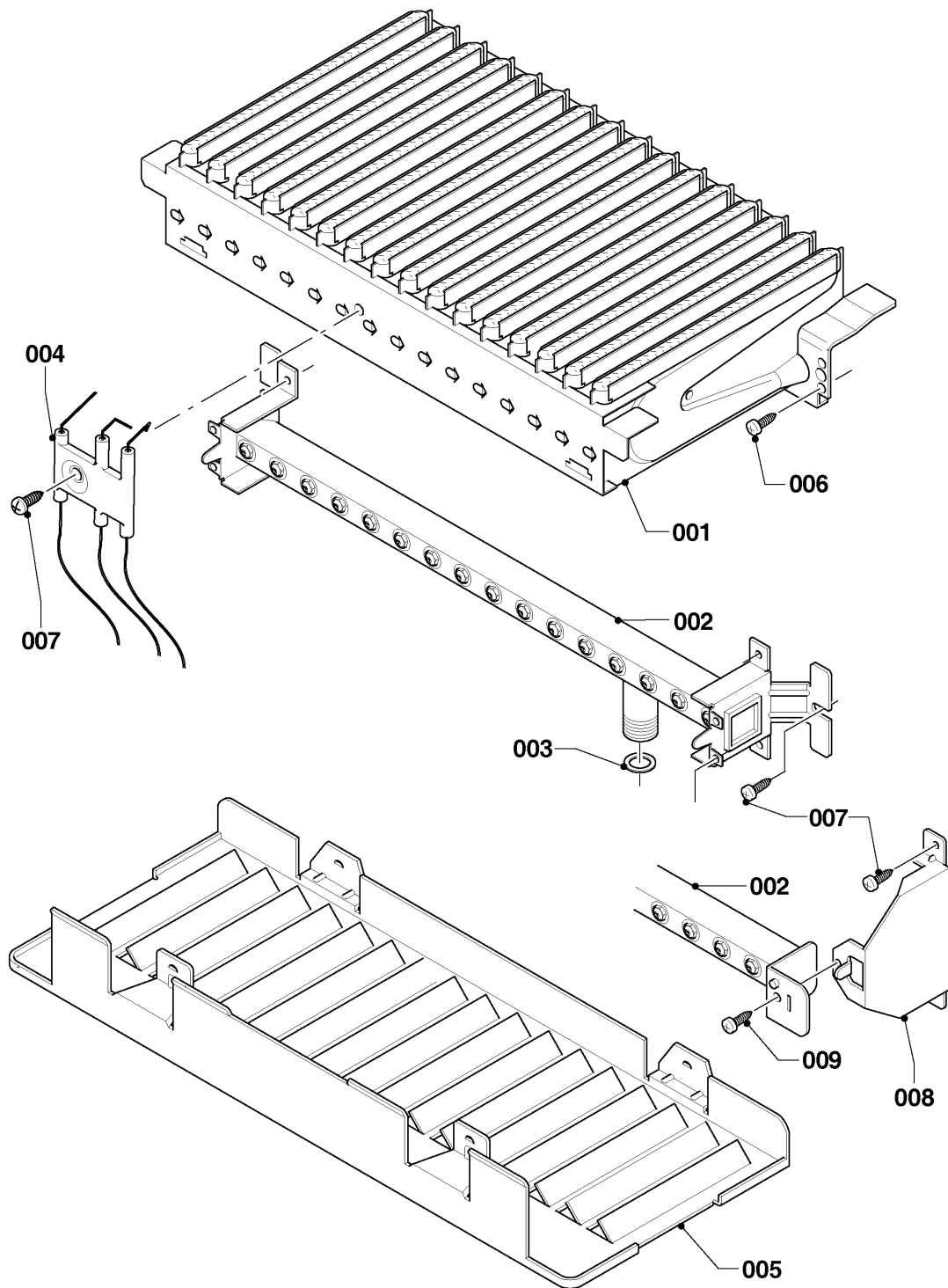
02 - Gas section

Pos.	Article	Description	Note
001	0020200660	Gas valve assembly	
002	0020200611	Gas pipe	30KTV20 Panther/R1 (H-RU), with parts 004, 007
003	0020200609	Gas pipe	30KTV20 Panther/R1 (H-RU), with parts 004, 005, 007
004	0020014193	Sealing ring, (x10)	
005	0020047034	Sealing ring, (x10)	
006	S5490600	Screw, (x50)	
007	0020175576	Screw, (x10)	
008	0020014192	Gasket, red large	

Wall-hung boilers (fan-assisted combi)

30KTV20 Panther/R1 (H-RU)

04 - Burner



02 - 0 - 04 - 08

Wall-hung boilers (fan-assisted combi)

30KTV20 Panther/R1 (H-RU)

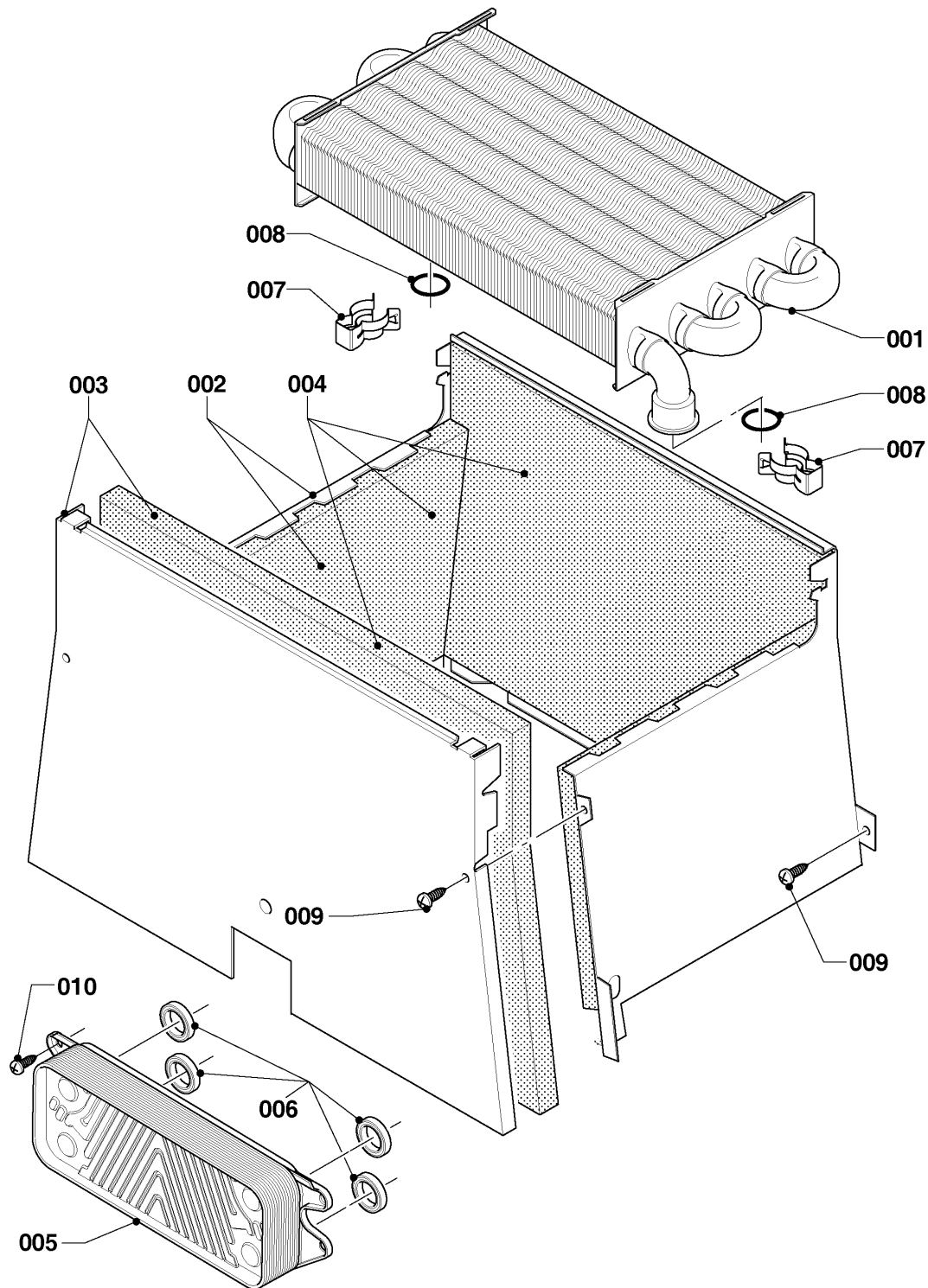
04 - Burner

Pos.	Article	Description	Note
000	0020199930	Conversion kit, H -> PB (30mbar)	30KTV20 Panther/R1 (H-RU), not shown
001	0020200594	Burner chamber group 24kW	30KTV20 Panther/R1 (H-RU), with part 006
002	0020200603	Burner support 24kW H	30KTV20 Panther/R1 (H-RU), with part 003, 007
003	0020047034	Sealing ring, (x10)	
004	0020200638	Electrode	30KTV20 Panther/R1 (H-RU), with part 007
005	-	-	not for these appliances
006	0020216992	Screw, (x10)	
007	0020175576	Screw, (x10)	
008	-	-	30KTV20 Panther/R1 (H-RU), not for these appliances
009	0020216993	Screw, (x10)	

Wall-hung boilers (fan-assisted combi)

30KTV20 Panther/R1 (H-RU)

06 - Heat exchanger



02 - 0 - 06 - 06

Wall-hung boilers (fan-assisted combi)

30KTV20 Panther/R1 (H-RU)

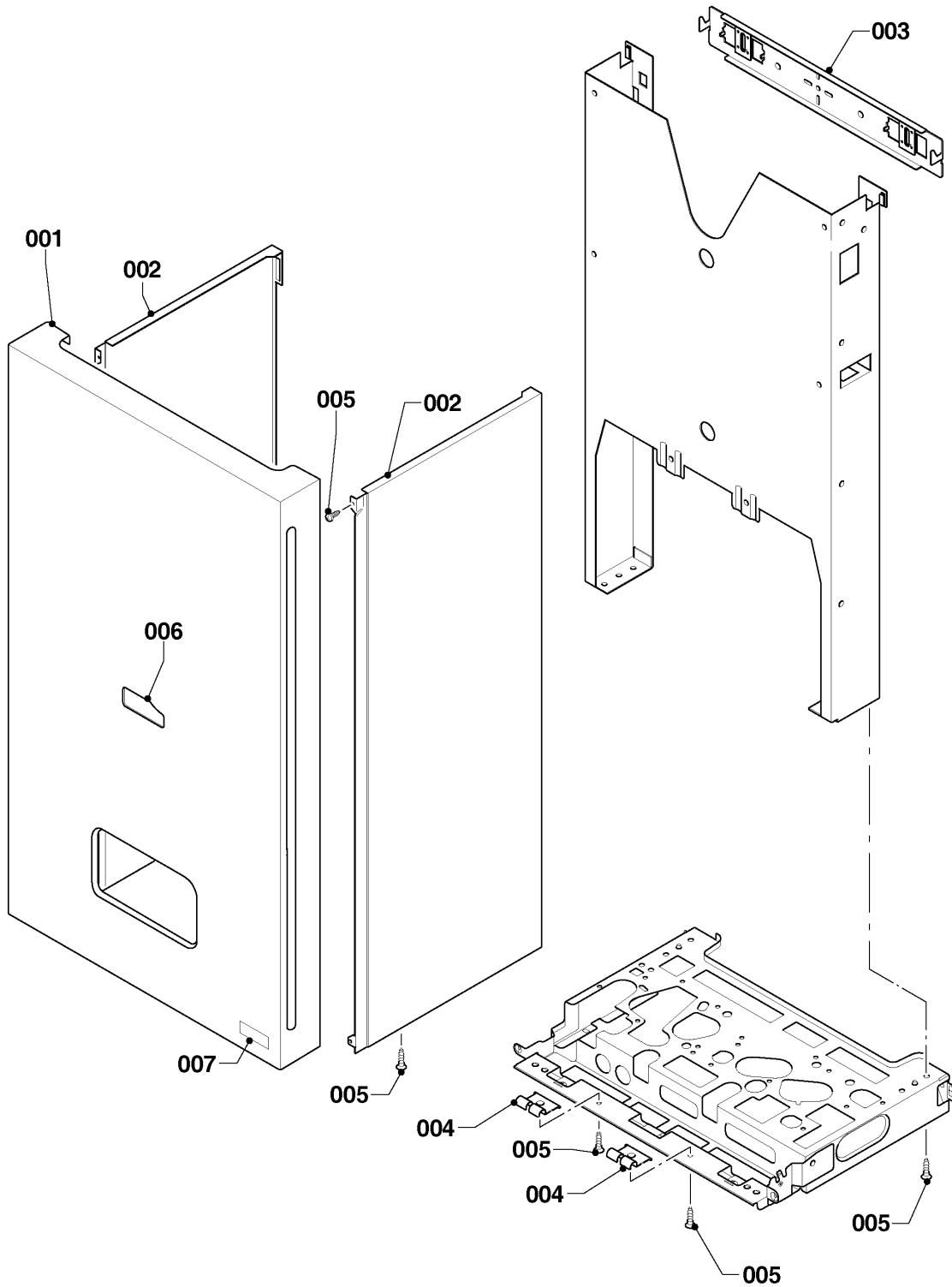
06 - Heat exchanger

Pos.	Article	Description	Note
001	0020200595	Heat exchanger, 112 fins	30KTV20 Panther/R1 (H-RU), with parts 007, 008
002	0020200581	Combustion chamber	30KTV20 Panther/R1 (H-RU), with part 009
003	0020216994	Combustion chamber cover	30KTV20 Panther/R1 (H-RU), with part 009
004	0020200578	Insulation (set)	30KTV20 Panther/R1 (H-RU)
005	0020186153	Heat exchanger, 14 plates	30KTV20 Panther/R1 (H-RU), with parts 006, 010
006	0020014166	Gasket, type C, (x10)	
007	0020018462	Clip, (x10)	
008	0020047026	O-ring, (x10)	
009	0020175576	Screw, (x10)	
010	A000024274	Screw, M5x20 H/E plate, (x25)	

Wall-hung boilers (fan-assisted combi)

30KTV20 Panther/R1 (H-RU)

07a - Casing parts



02 - 0 - 07 - 17

Wall-hung boilers (fan-assisted combi)

30KTV20 Panther/R1 (H-RU)

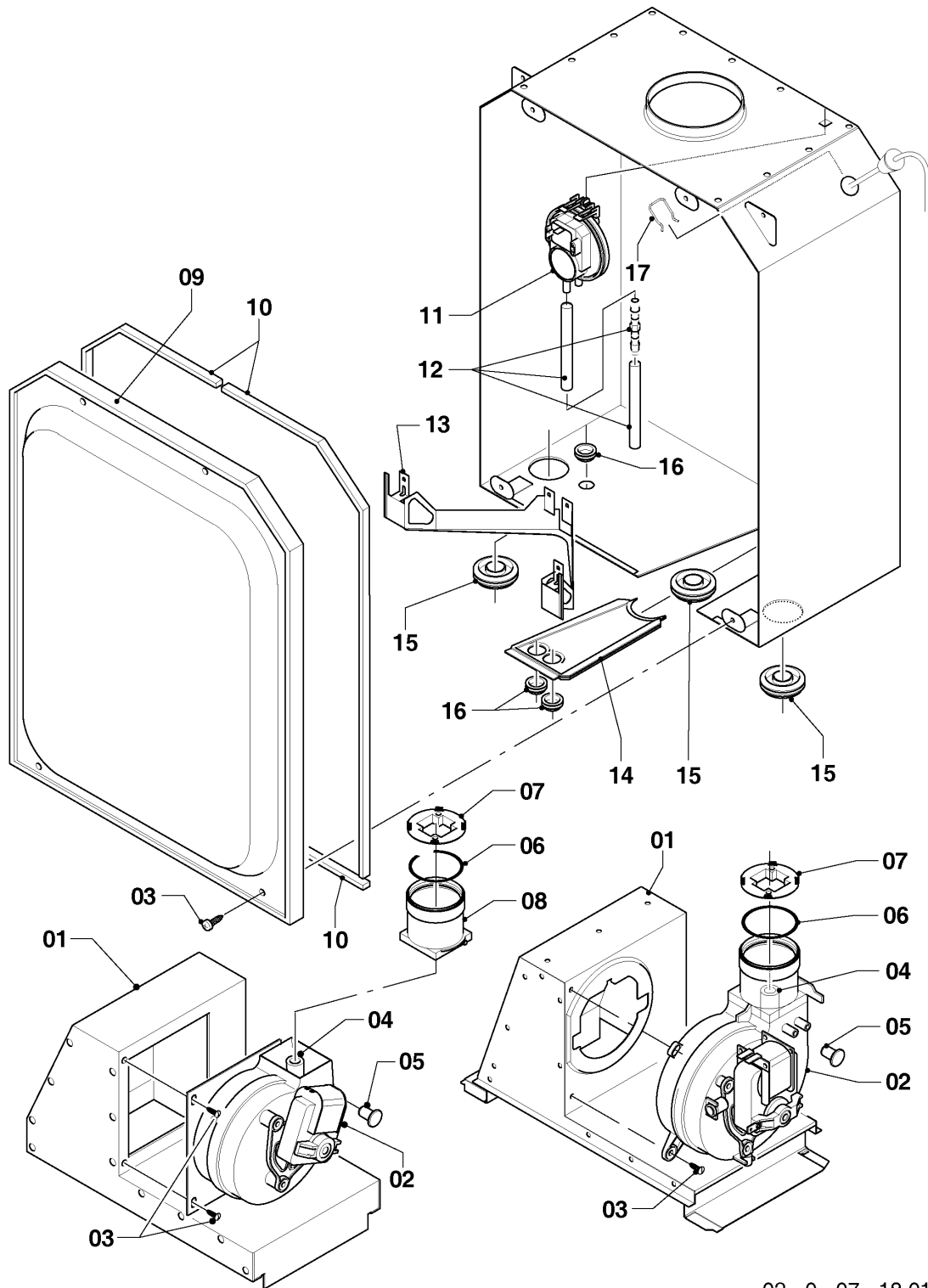
07a - Casing parts

Pos.	Article	Description	Note
001	0020200616	Casing	with part 005
002	0020200577	Side panel	with part 005
003	0020216299	Support	
004	0020175666	Support, (x2)	with part 005
005	0020175576	Screw, (x10)	
006	0020195632	Name badge	
007	0020210130	Name badge	

Wall-hung boilers (fan-assisted combi)

30KTV20 Panther/R1 (H-RU)

07b - Casing parts



02 - 0 - 07 - 18.01

Wall-hung boilers (fan-assisted combi)

30KTV20 Panther/R1 (H-RU)

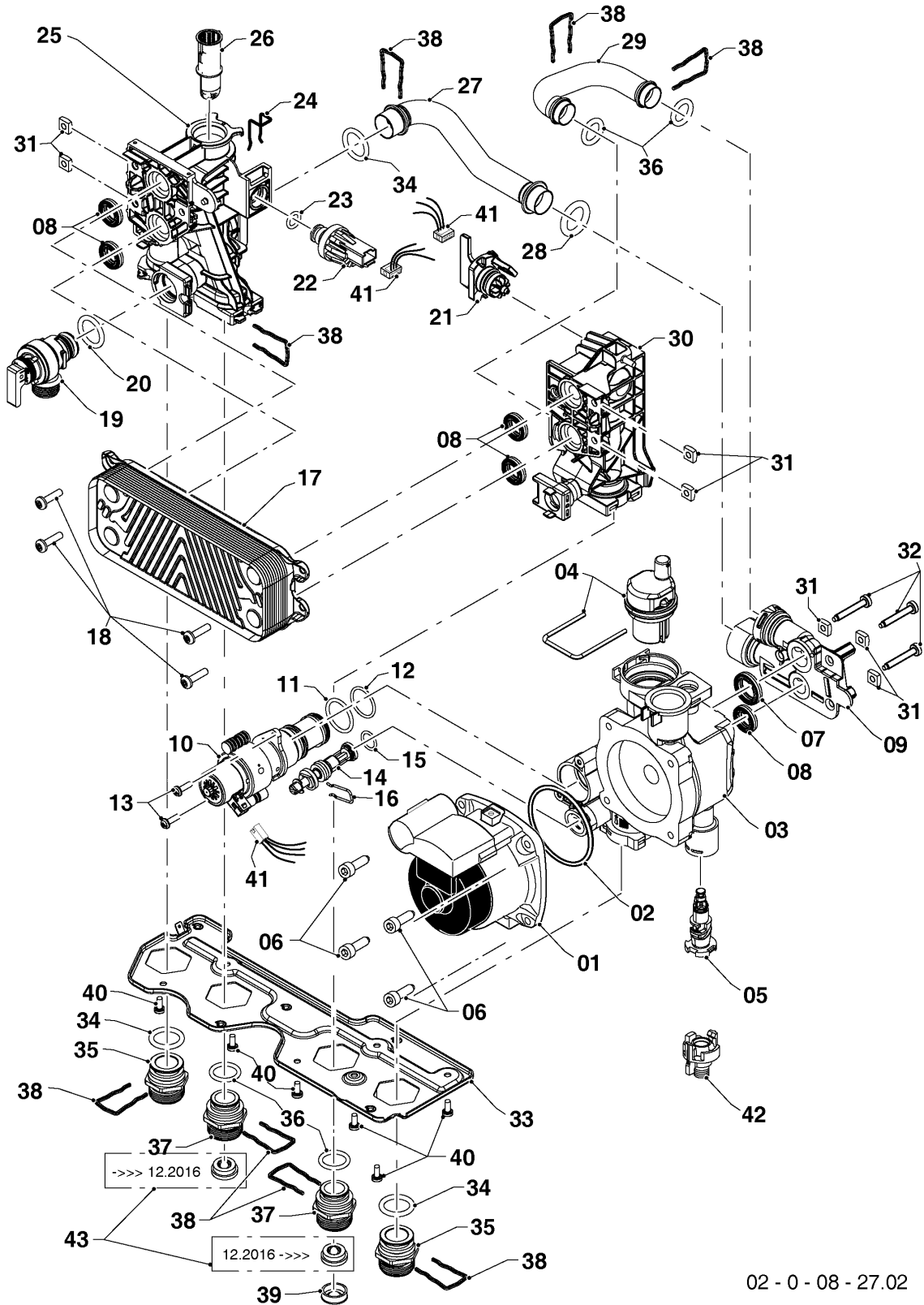
07b - Casing parts

Pos.	Article	Description	Note
01	0020200663	Flue gas collector	30KTV20 Panther/R1 (H-RU), with part 003, from serial number 211736001... including
02	0020213171	Fan	30KTV20 Panther/R1 (H-RU), with parts 003, 005, 006, 007, from serial number 211736001...including
03	0020175576	Screw, (x10)	
04	0020210135	Insert, (kit)	
05	0020200568	Plug, (x5)	
06	0020218133	Lip seal, silicone (DN 60)	
08	0020200675	Sleeve	
09	0020200617	Casing	with parts 003,010
10	0020200569	Gasket kit	
11	0020210136	Pressure safeguard	30KTV20 Panther/R1 (H-RU), with parts 012, from serial number 211736001...including
12	0020200567	Hose set	
13	0020200596	Guide plate	30KTV20 Panther/R1 (H-RU), from serial number 211736001...including
14	0020216975	Insert	
15	0020014192	Gasket, red large	
16	0020216991	Gasket	
17	0020200680	Clip, (x10)	

Wall-hung boilers (fan-assisted combi)

30KTV20 Panther/R1 (H-RU)

08a - Hydraulic parts



02 - 0 - 08 - 27.02

Wall-hung boilers (fan-assisted combi)

30KTV20 Panther/R1 (H-RU)

08a - Hydraulic parts

Pos.	Article	Description	Note
01	0020197549	Pump motor	30KTV20 Panther/R1 (H-RU), supplied with pos.06, it`s necessary to order also sealing ring (pos.02)
02	0020221829	O-ring	
03	0020207137	Housing, pump R-DIN	with parts 02,04,05,06,07,08,11,12,13,15,16, 31,32,34,38
04	S1024500	Automatic de-aerator	
05	0020207138	Tap drain piece R-DIN	
06	0020207139	Screw, pump (x4)	
07	0020014182	Gasket, type C, (x10)	
08	0020014166	Gasket, type C, (x10)	
09	0020197547	Hydroblock	with parts 07,08,28,31,32,36,38
10	0020097214	Diverter valve 3 way	with parts 11,12,13
11	0020097224	O-ring, (x10)	
12	0020097226	O-ring, (x10)	
13	0020097227	Screw, (x10)	
14	0020014169	Bypass	with parts 15, 16
15	0020014195	O-ring, (x10)	
16	0020047019	Clip, (x10)	
17	0020186153	Heat exchanger, 14 plates	30KTV20 Panther/R1 (H-RU), with parts 08,18
18	A000024274	Screw, M5x20 H/E plate, (x25)	
19	0020047005	Pressure relief valve, 3 bar	with parts 20,38
20	0020125448	O-ring, (x10)	
21	0020197555	Flow sensor	
22	0020079644	Sensor	with parts 23, 24
23	0020014177	O-ring, (x10)	
24	0020097197	Clip, (x10)	
25	0020186163	Hydroblock	supply with pos. 08, 18, 20, 23, 24, 26, 31, 34, 36, 38, 40,
26	0020014178	Filter	
27	0020186168	Tube, by-pass	with parts 28,34,38
28	0020097187	O-ring, (x10)	

Wall-hung boilers (fan-assisted combi)

30KTV20 Panther/R1 (H-RU)

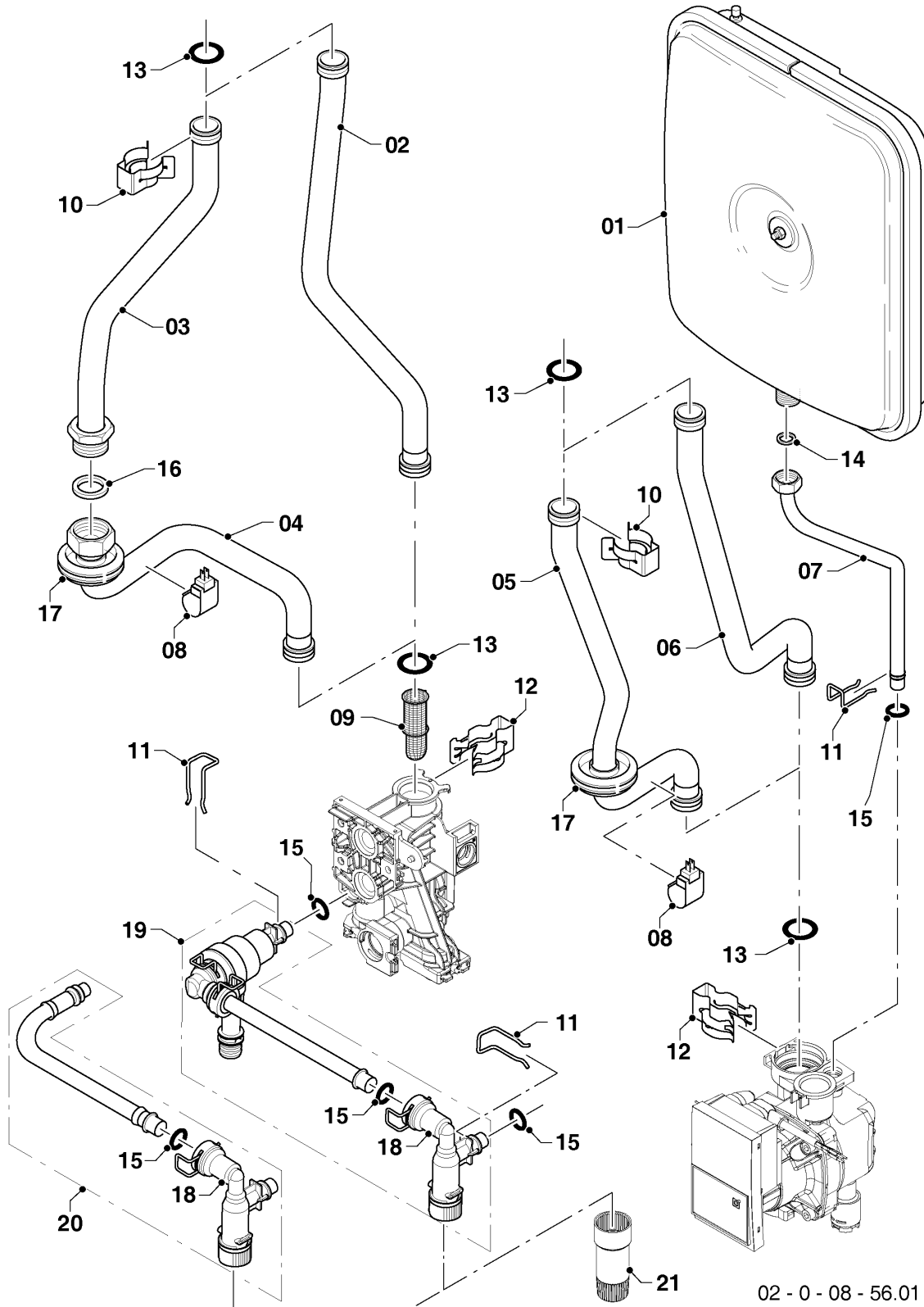
08a - Hydraulic parts

Pos.	Article	Description	Note
29	0020186167	Tube, pump-SHE	with parts 36,38
30	0020186165	Hydroblock	with parts 08,18,21,31,36,38,40
31	0020038639	Nut, (x3)	
32	0020097193	Screw, M5x33, (x10)	
33	0020207116	Support bracket	with part 40
34	0020195272	O-ring, (x10)	
35	0020186172	Nipple, G3/4 brass, HW	with parts 34, 38
36	0020166932	O ring, (x10)	
37	0020186171	Nipple, G3/4, DW	with parts 36, 38
38	0020014176	Clip, (x10)	
39	0020014159	Filter D=20mm	
40	0020097184	Screw, (x10)	
41	0020197551	Wiring harness	
42	0020097336	Tap drain piece	
43	05430300	Water quantity limiter (x10)	30KTV20 Panther/R1 (H-RU)

Wall-hung boilers (fan-assisted combi)

30KTV20 Panther/R1 (H-RU)

08b - Hydraulic parts



Wall-hung boilers (fan-assisted combi)

30KTV20 Panther/R1 (H-RU)

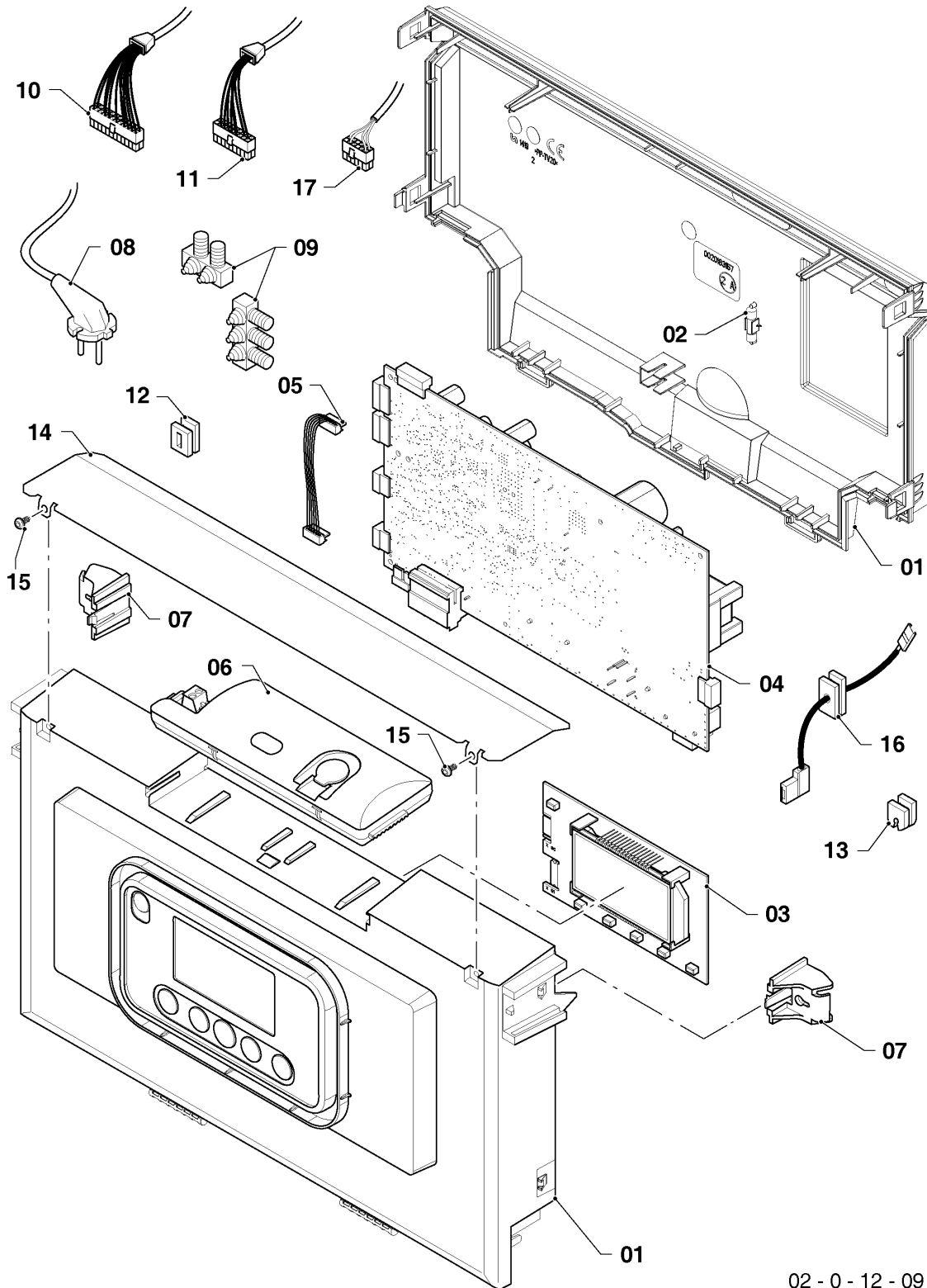
08b - Hydraulic parts

Pos.	Article	Description	Note
01	0020200681	Expansion vessel 10 ltr.	
02	-	-	not for these appliances
03	0020218972	Tube	30KTV20 Panther/R1 (H-RU), with parts 010,013,016
04	0020200641	Tube	with parts 012,013,016
05	0020200644	Tube	30KTV20 Panther/R1 (H-RU), with parts 010,012,013
06	-	-	not for these appliances
07	0020200618	Tube	with parts 011,014,015
08	0020200599	Sensor, NTC 19mm	
09	0020014178	Filter	with parts 012, 013
10	0020018462	Clip, (x10)	
11	0020097197	Clip, (x10)	
12	0020039764	Clip	
13	0020047026	O-ring, (x10)	
14	0020211087	Gasket, (x10)	
15	0020014177	O-ring, (x10)	
16	0020014193	Sealing ring, (x10)	
17	0020014192	Gasket, red large	
18	0020212572	Filling cock	with parts 014,015
19	-	-	not for these appliances
20	0020203963	Non-return valve	with parts 011,015
21	S1006800	Handle extension adapter	

Wall-hung boilers (fan-assisted combi)

30KTV20 Panther/R1 (H-RU)

12 - Control box



02 - 0 - 12 - 09

Wall-hung boilers (fan-assisted combi)

30KTV20 Panther/R1 (H-RU)

12 - Control box

Pos.	Article	Description	Note
01	0020213176	Housing	with part 002
02	0020079603	Fuse, 2,0 A T2H, (x10)	
03	0020233682	Display	
04	0020254535	PCB	30KTV20 Panther/R1 (H-RU), from serial number 211736001...including
05	0020084515	Cable tree (harness)	
06	-	-	not for these appliances
07	0020200631	Spacer	
08	-	-	30KTV20 Panther/R1 (H-RU), not for these appliances
09	0020079417	Strain relief, kit	
10	0020197551	Wiring harness	
11	0020200650	Wiring harness	30KTV20 Panther/R1 (H-RU), from serial number 211736001...including
12	0020175568	Plug, (x5)	
13	0020175566	Cable strain relief	
14	-	-	not for these appliances
15	-	-	not for these appliances
16	0020200666	Cable	
17	-	-	not for these appliances