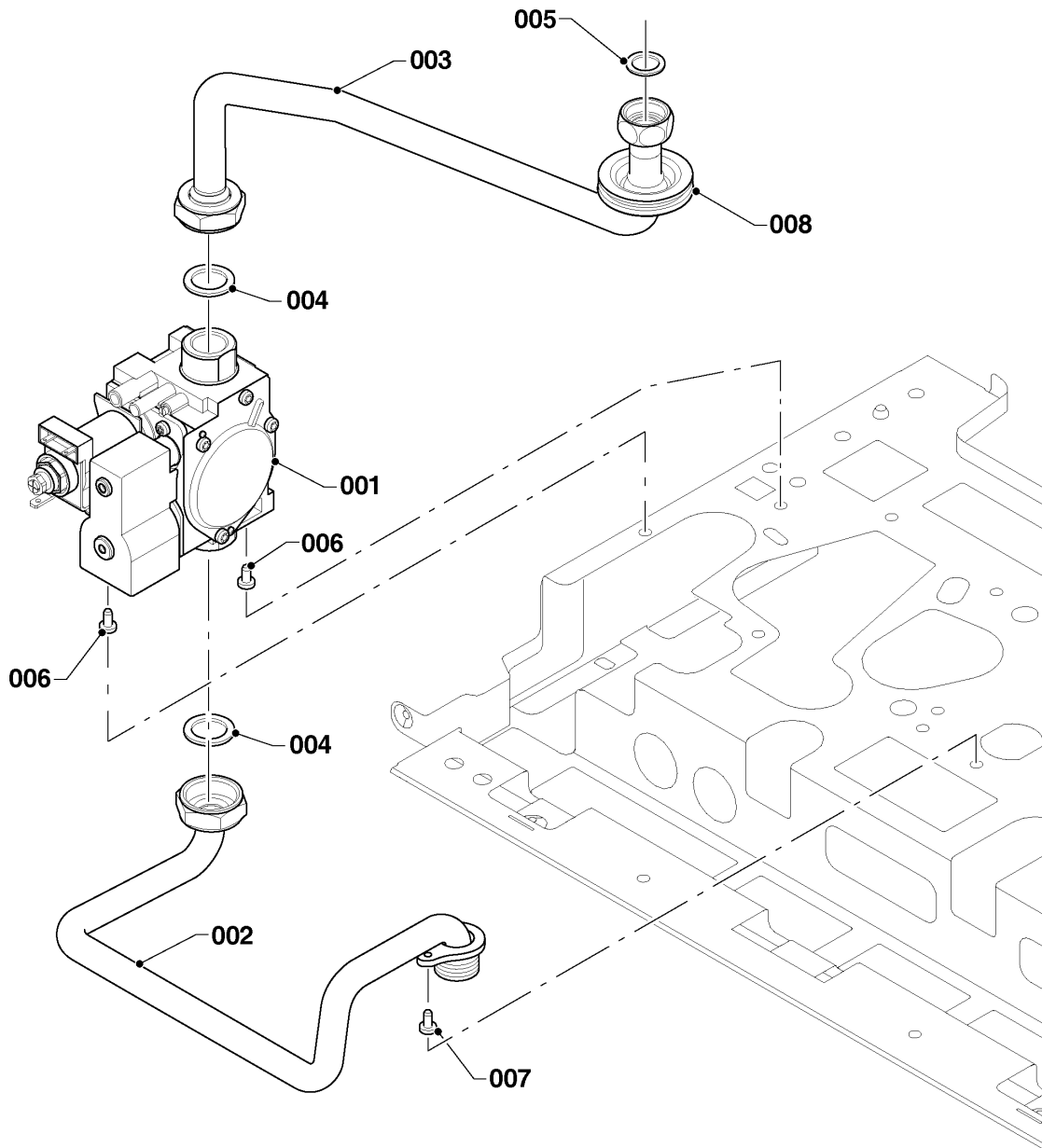


## Wall-hung boilers (conventional flue system)

25K0020 Panther

02 - Gas section



02 - 0 - 02 - 06

## Wall-hung boilers (conventional flue system)

25KOO20 Panther

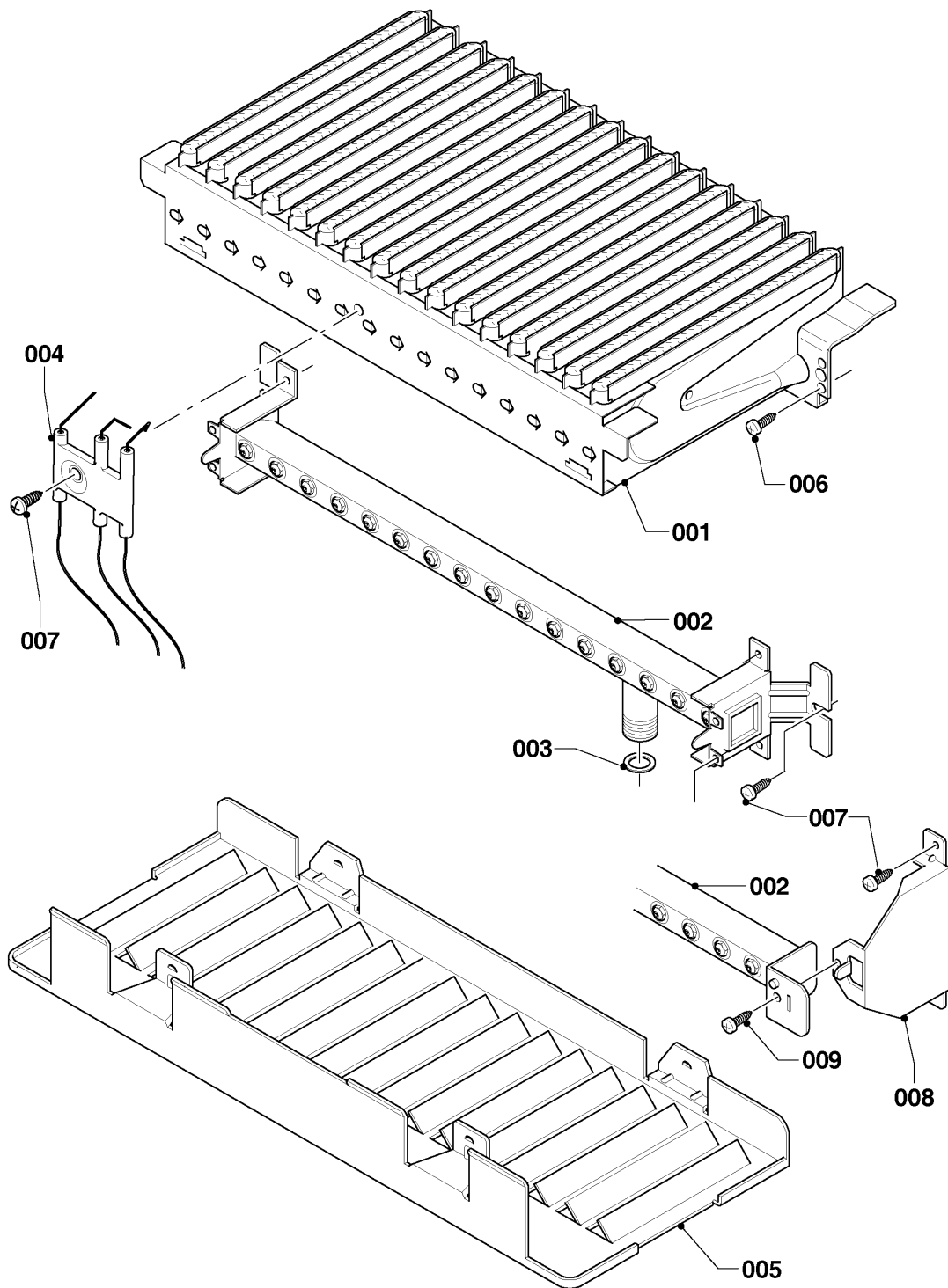
02 - Gas section

| Pos. | Article    | Description         | Note                     |
|------|------------|---------------------|--------------------------|
| 001  | 0020200660 | Gas valve assembly  |                          |
| 002  | 0020200611 | Gas pipe            | with parts 004, 007      |
| 003  | 0020200615 | Gas pipe            |                          |
| 004  | 0020014193 | Sealing ring, (x10) |                          |
| 005  | 0020047034 | Sealing ring, (x10) |                          |
| 006  | S5490600   | Screw, (x50)        |                          |
| 007  | 0020175576 | Screw, (x10)        |                          |
| 008  | -          | -                   | not for these appliances |

# Wall-hung boilers (conventional flue system)

25K0020 Panther

04 - Burner



02 - 0 - 04 - 08

## Wall-hung boilers (conventional flue system)

25KOO20 Panther

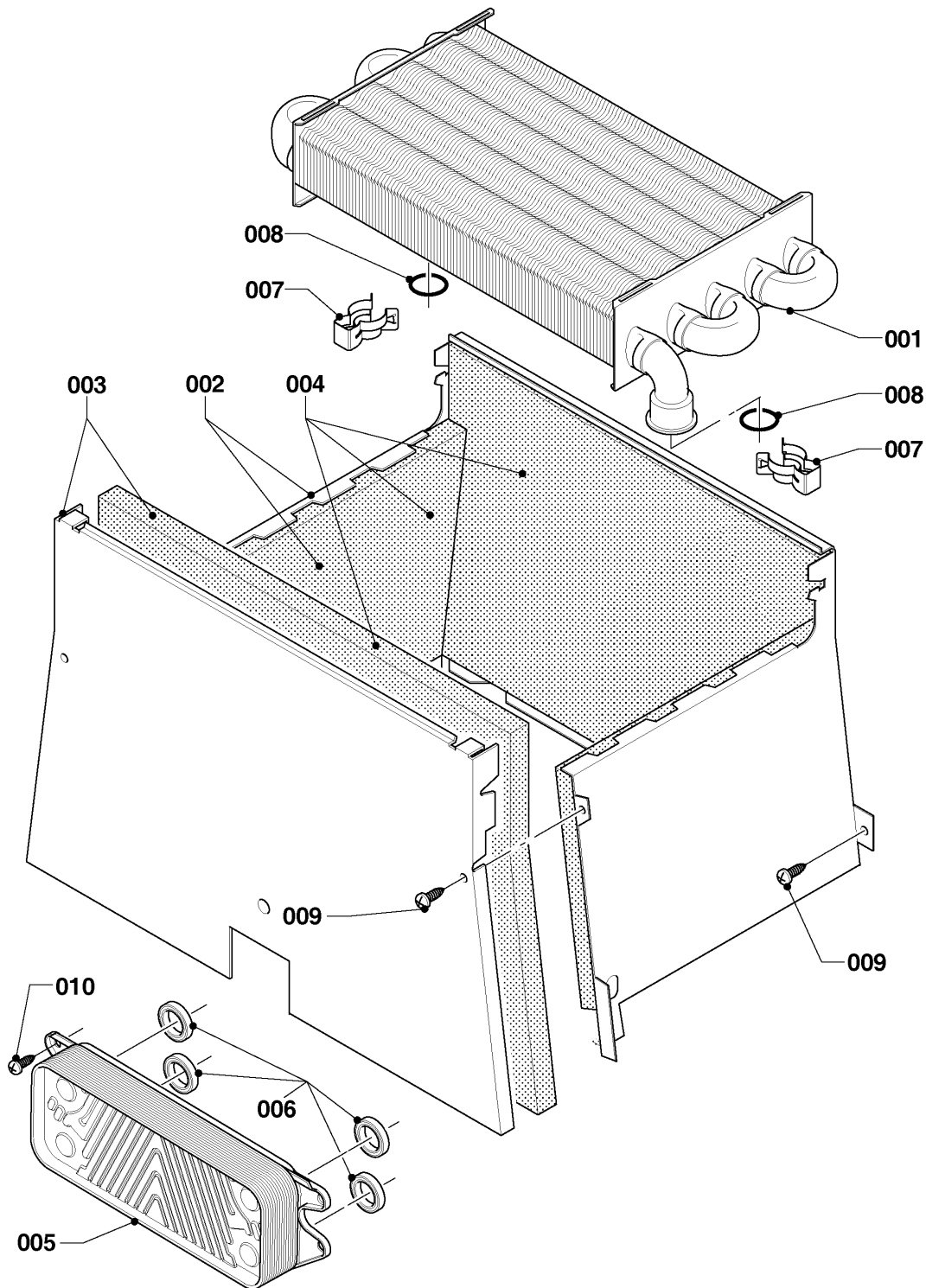
04 - Burner

| Pos. | Article    | Description                      | Note                     |
|------|------------|----------------------------------|--------------------------|
| 000  | 0020199915 | Conversion kit, H -> PB (30mbar) | not shown                |
| 001  | 0020200594 | Burner chamber group 24kW        |                          |
| 002  | 0020200603 | Burner support 24kW H            |                          |
| 003  | 0020047034 | Sealing ring, (x10)              |                          |
| 004  | 0020200638 | Electrode                        |                          |
| 005  | 0020200584 | Protection plate                 |                          |
| 006  | 0020216992 | Screw, (x10)                     |                          |
| 007  | 0020175576 | Screw, (x10)                     |                          |
| 008  | -          | -                                | not for these appliances |
| 009  | -          | -                                | not for these appliances |

# Wall-hung boilers (conventional flue system)

25K0020 Panther

06 - Heat exchanger



02 - 0 - 06 - 06

## Wall-hung boilers (conventional flue system)

25K0020 Panther

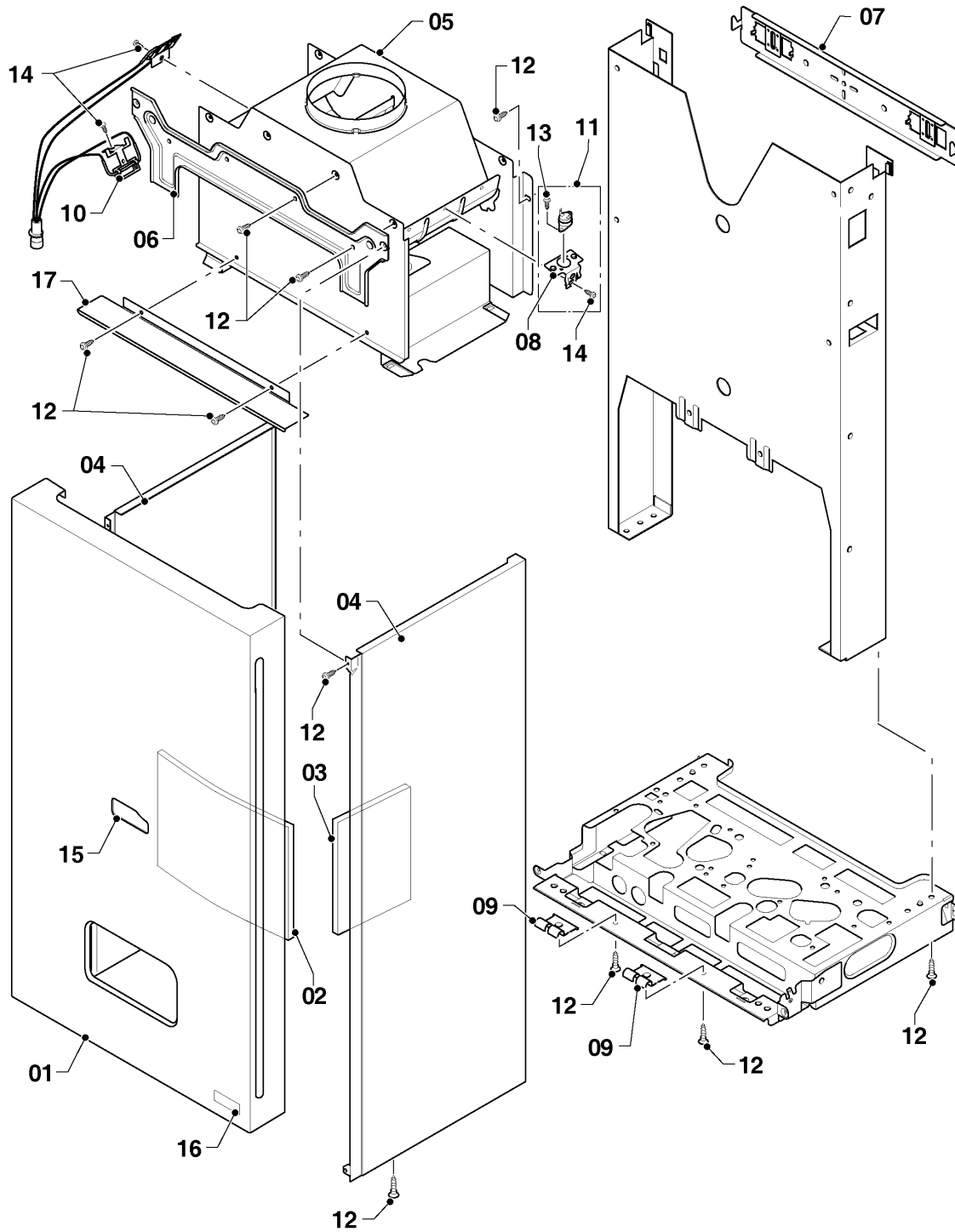
06 - Heat exchanger

| Pos. | Article    | Description              | Note                     |
|------|------------|--------------------------|--------------------------|
| 001  | 0020142418 | Heat exchanger           |                          |
| 002  | 0020200581 | Combustion chamber       |                          |
| 003  | 0020200673 | Combustion chamber cover |                          |
| 004  | 0020200578 | Insulation (set)         |                          |
| 005  | -          | -                        | not for these appliances |
| 006  | -          | -                        | not for these appliances |
| 007  | 0020018462 | Clip, (x10)              |                          |
| 008  | 0020047026 | O-ring, (x10)            |                          |
| 009  | 0020175576 | Screw, (x10)             |                          |
| 010  | -          | -                        | not for these appliances |

# Wall-hung boilers (conventional flue system)

25KOO20 Panther

07 - Casing parts



02 - 0 - 07 - 19.01

## Wall-hung boilers (conventional flue system)

25KOO20 Panther

07 - Casing parts

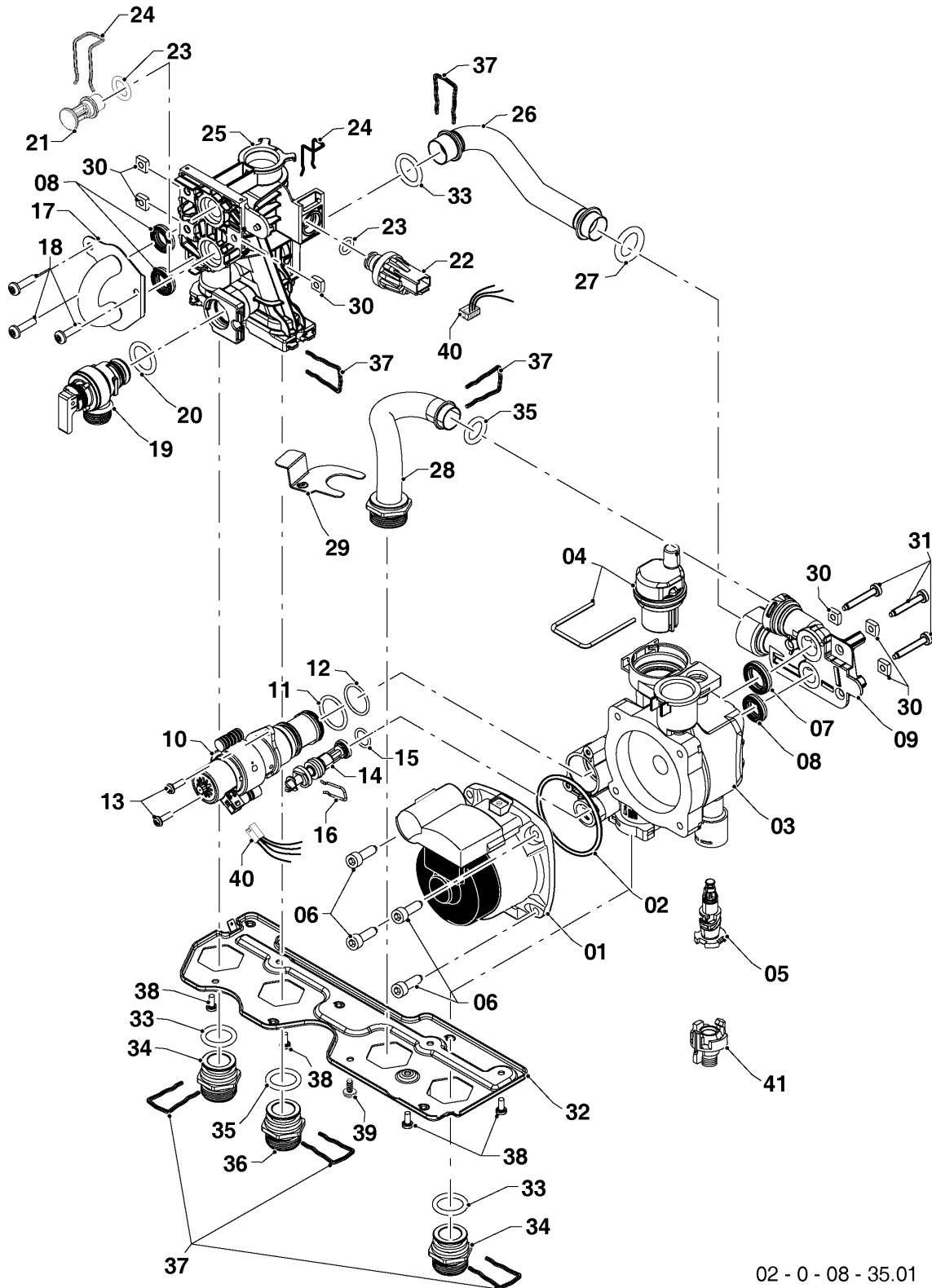
| Pos. | Article    | Description                   | Note  |
|------|------------|-------------------------------|---|
| 01   | 0020200616 | Casing                        |   |
| 02   | 0020216302 | Insulation                    |   |
| 03   | 0020097995 | Insulation plate              |   |
| 04   | 0020200577 | Side panel                    |   |
| 05   | 0020200575 | Draft diverter 24kW           |   |
| 06   | 0020210122 | Support                       |   |
| 07   | 0020216299 | Support                       |   |
| 08   | -          | -                             | not available as single spare part, please order pos. 11    |
| 09   | 0020175666 | Support, (x2)                 |   |
| 10   | 0020200590 | Sensor flue gas               | 25KOO20 Panther, until serial number 211736001... including |
| 11   | 0020265145 | Sensor, kit                   |   |
| 12   | 0020175576 | Screw, (x10)                  |   |
| 13   | 0020210127 | Screw, (x10)                  |   |
| 13   | -          | -                             | not available as single spare part, please order pos. 11    |
| 14   | 2000801946 | Screw, torx 4.2x13.5mm, (x25) |   |
| 15   | 0020195632 | Name badge                    |   |
| 16   | 0020210130 | Name badge                    |   |
| 17   | 0020210134 | Protection plate              |   |



# Wall-hung boilers (conventional flue system)

25K0020 Panther

08a - Hydraulic parts



02 - 0 - 08 - 35.01

## Wall-hung boilers (conventional flue system)

25KOO20 Panther

08a - Hydraulic parts

| Pos. | Article    | Description                   | Note   |
|------|------------|-------------------------------|--|
| 01   | 0020197549 | Pump motor                    | supplied with pos.06, it`s necessary to order also sealing ring (pos.02) |
| 02   | 0020221829 | O-ring                        |  |
| 03   | 0020207137 | Housing, pump R-DIN           |  |
| 04   | S1024500   | Automatic de-aerator          |  |
| 05   | 0020207138 | Tap drain piece R-DIN         |  |
| 06   | 0020207139 | Screw, pump (x4)              |  |
| 07   | 0020014182 | Gasket, type C, (x10)         |  |
| 08   | 0020014166 | Gasket, type C, (x10)         |  |
| 09   | 0020197547 | Hydroblock                    |  |
| 10   | 0020097214 | Diverter valve 3 way          |  |
| 11   | 0020097224 | O-ring, (x10)                 |  |
| 12   | 0020097226 | O-ring, (x10)                 |  |
| 13   | 0020097227 | Screw, (x10)                  |  |
| 14   | 0020014169 | Bypass                        |  |
| 15   | 0020014195 | O-ring, (x10)                 |  |
| 16   | 0020047019 | Clip, (x10)                   |  |
| 17   | 0020186169 | Tube, system outlet           |  |
| 18   | A000024274 | Screw, M5x20 H/E plate, (x25) |  |
| 19   | 0020047005 | Pressure relief valve, 3 bar  |  |
| 20   | 0020125448 | O-ring, (x10)                 |  |
| 21   | 0020098017 | Plug                          |  |
| 22   | 0020079644 | Sensor                        |  |
| 23   | 0020014177 | O-ring, (x10)                 |  |
| 24   | 0020097197 | Clip, (x10)                   |  |
| 25   | 0020186163 | Hydroblock                    | supply with pos. 08, 18, 20, 22, 23, 24, 30, 33, 35, 37, 38,             |
| 26   | 0020186168 | Tube, by-pass                 |  |
| 27   | 0020097187 | O-ring, (x10)                 |  |
| 28   | 0020186166 | Tube, system                  |  |
| 29   | 0020186175 | Bracket, fixation             |  |
| 30   | 0020038639 | Nut, (x3)                     |  |
| 31   | 0020097193 | Screw, M5x33, (x10)           |  |

## Wall-hung boilers (conventional flue system)

25KOO20 Panther

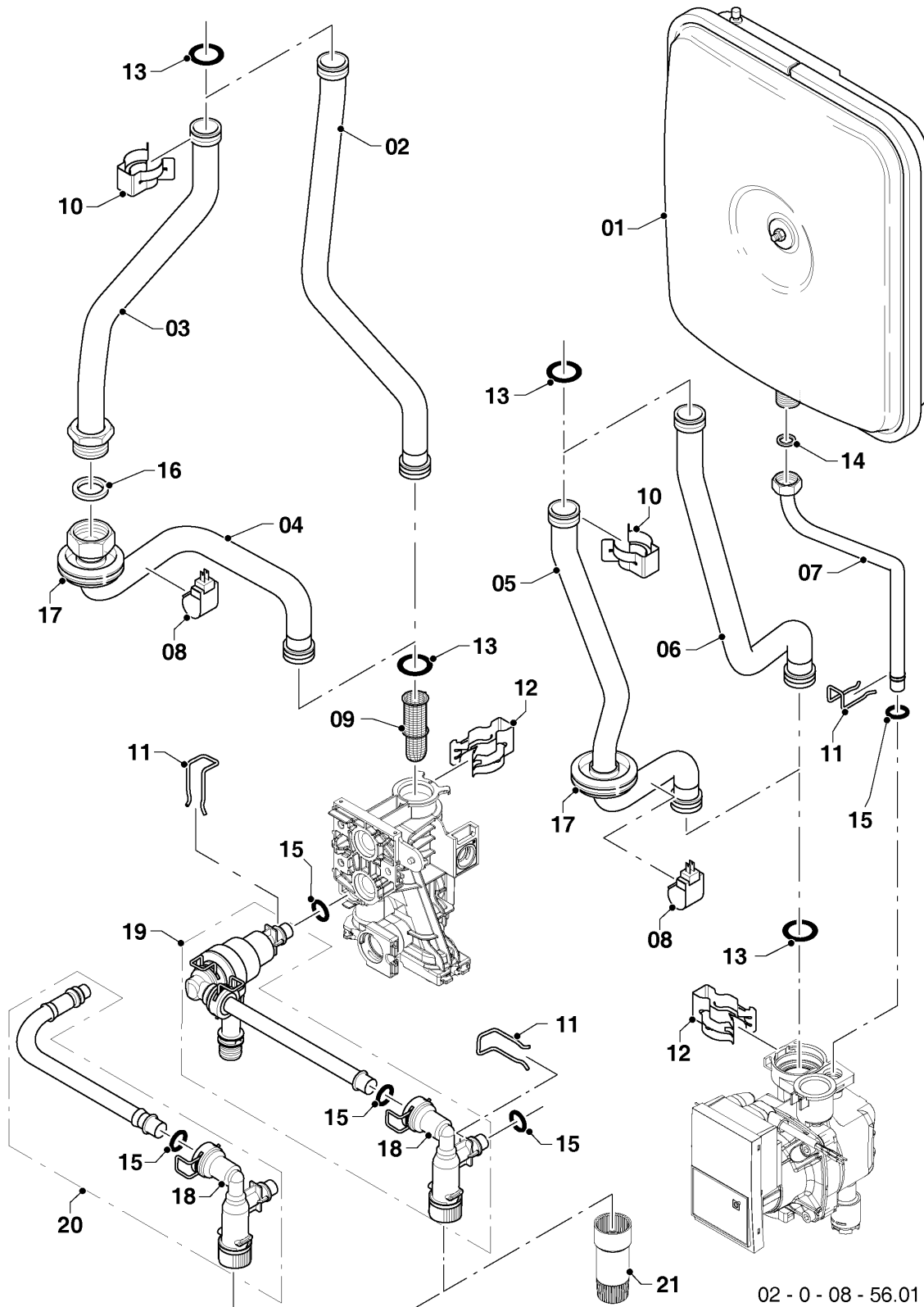
08a - Hydraulic parts

| Pos. | Article    | Description            | Note |
|------|------------|------------------------|------|
| 32   | 0020207116 | Support bracket        |      |
| 33   | 0020195272 | O-ring, (x10)          |      |
| 34   | 0020186172 | Nipple, G3/4 brass, HW |      |
| 35   | 0020166932 | O ring, (x10)          |      |
| 36   | 0020186171 | Nipple, G3/4, DW       |      |
| 37   | 0020014176 | Clip, (x10)            |      |
| 38   | 0020097184 | Screw, (x10)           |      |
| 39   | 0020175576 | Screw, (x10)           |      |
| 40   | 0020197553 | Wiring harness         |      |
| 41   | 0020097336 | Tap drain piece        |      |

# Wall-hung boilers (conventional flue system)

25K0020 Panther

08b - Hydraulic parts



## Wall-hung boilers (conventional flue system)

25K0020 Panther

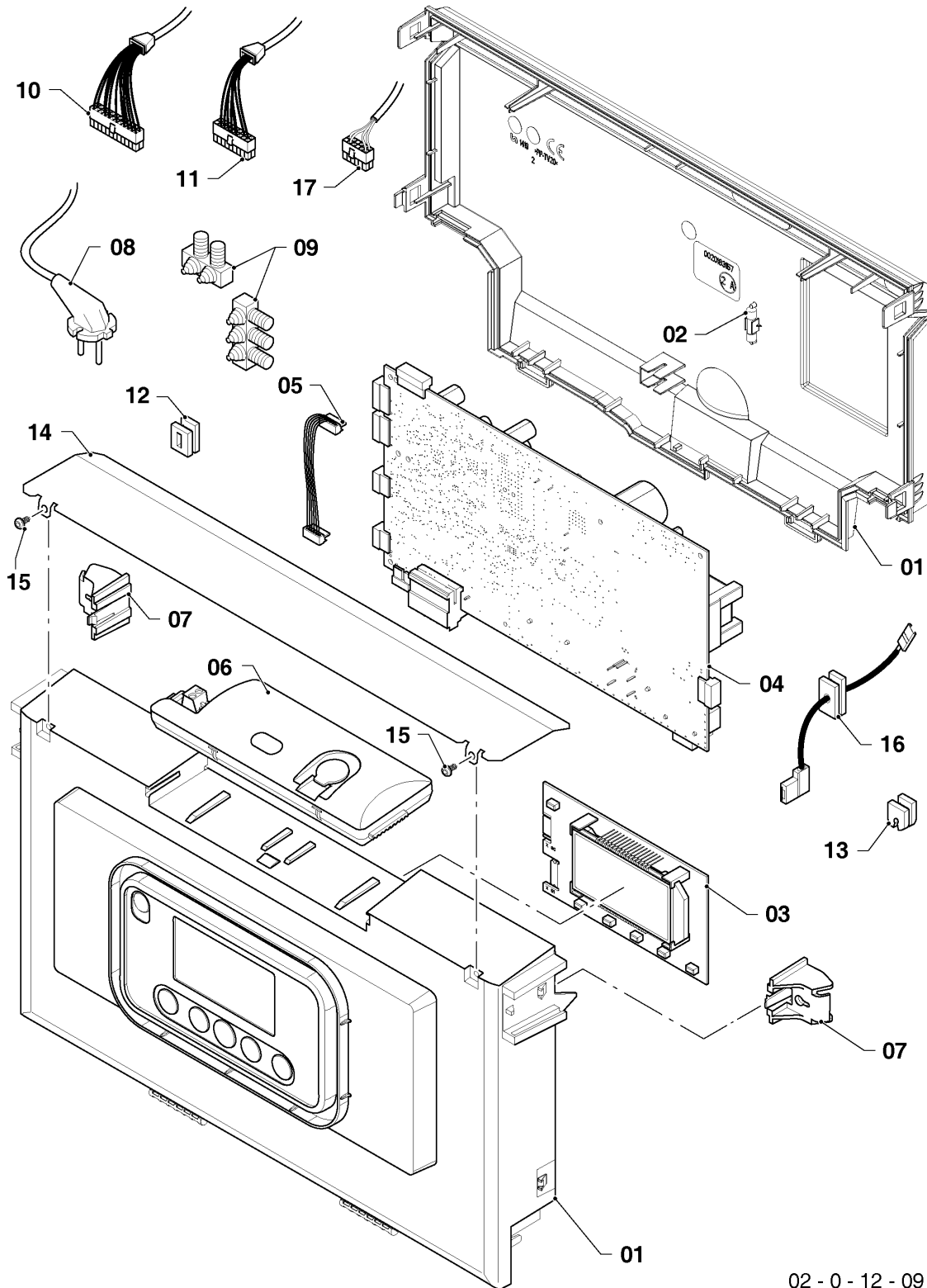
08b - Hydraulic parts

| Pos. | Article    | Description              | Note                     |
|------|------------|--------------------------|--------------------------|
| 01   | 0020200681 | Expansion vessel 10 ltr. |                          |
| 02   | 0020200632 | Tube                     |                          |
| 03   | -          | -                        | not for these appliances |
| 04   | -          | -                        | not for these appliances |
| 05   | -          | -                        | not for these appliances |
| 06   | 0020200640 | Tube                     |                          |
| 07   | 0020200618 | Tube                     |                          |
| 08   | 0020200599 | Sensor, NTC 19mm         |                          |
| 09   | 0020014178 | Filter                   |                          |
| 10   | 0020018462 | Clip, (x10)              |                          |
| 11   | 0020097197 | Clip, (x10)              |                          |
| 12   | 0020039764 | Clip                     |                          |
| 13   | 0020047026 | O-ring, (x10)            |                          |
| 14   | 0020211087 | Gasket, (x10)            |                          |
| 15   | 0020014177 | O-ring, (x10)            |                          |
| 16   | -          | -                        | not for these appliances |
| 17   | -          | -                        | not for these appliances |
| 18   | -          | -                        | not for these appliances |
| 19   | -          | -                        | not for these appliances |
| 20   | -          | -                        | not for these appliances |
| 21   | -          | -                        | not for these appliances |

# Wall-hung boilers (conventional flue system)

25K0020 Panther

12 - Control box



02 - 0 - 12 - 09

## Wall-hung boilers (conventional flue system)

25KOO20 Panther

12 - Control box

| Pos. | Article    | Description            | Note  |
|------|------------|------------------------|---|
| 01   | 0020213176 | Housing                |   |
| 02   | 0020079603 | Fuse, 2,0 A T2H, (x10) |   |
| 03   | 0020233682 | Display                |   |
| 04   | 0020202572 | PCB                    | 25KOO20 Panther, until serial number 211736001... including |
| 05   | 0020084515 | Cable tree (harness)   |   |
| 06   | -          | -                      | not for these appliances                                    |
| 07   | 0020200631 | Spacer                 |   |
| 08   | -          | -                      | not for these appliances                                    |
| 09   | 0020079417 | Strain relief, kit     |   |
| 10   | 0020197553 | Wiring harness         |   |
| 11   | 0020221239 | Wiring harness         | 25KOO20 Panther, until serial number 211736001... including |
| 12   | 0020175568 | Plug, (x5)             |   |
| 13   | 0020175566 | Cable strain relief    |   |
| 14   | 0020210128 | Protection plate       |   |
| 15   | 0020210127 | Screw, (x10)           |   |
| 16   | 0020200666 | Cable                  |   |
| 17   | -          | -                      | not for these appliances                                    |