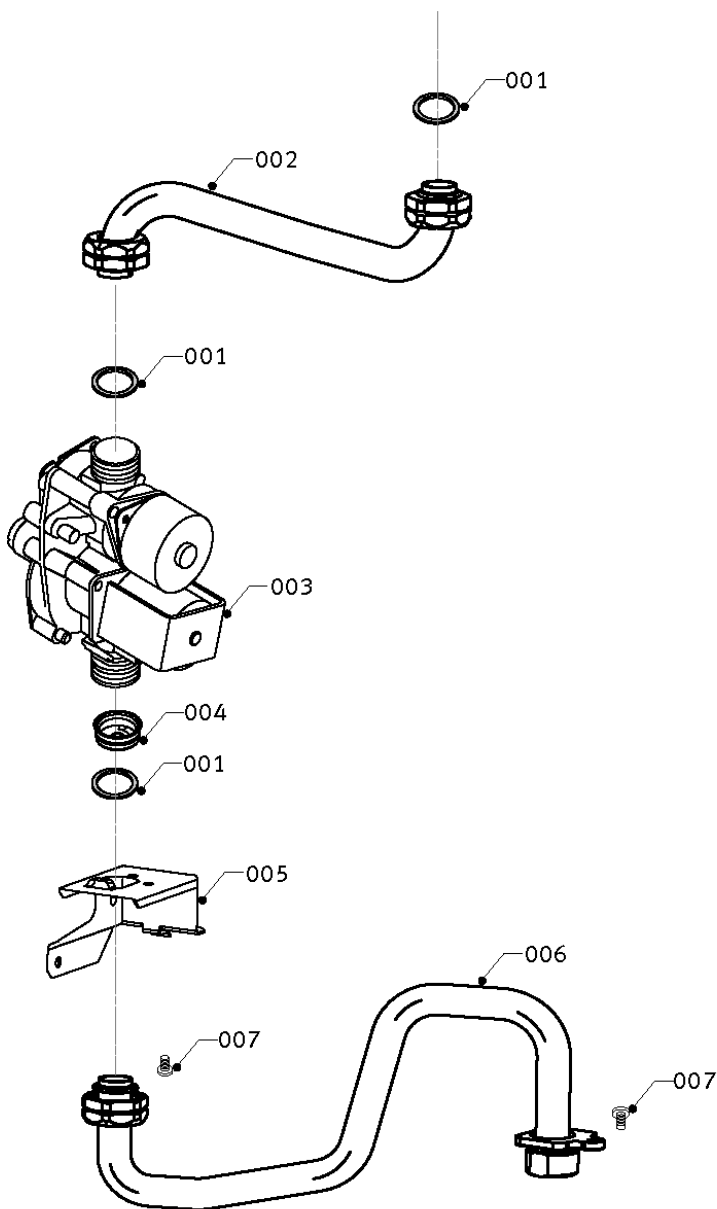


## Wall-hung boilers (fan-assisted system)

12KTO19 Panther (N-RU)

02 - Gas section



02-0-02-02

## Wall-hung boilers (fan-assisted system)

12KTO19 Panther (N-RU)

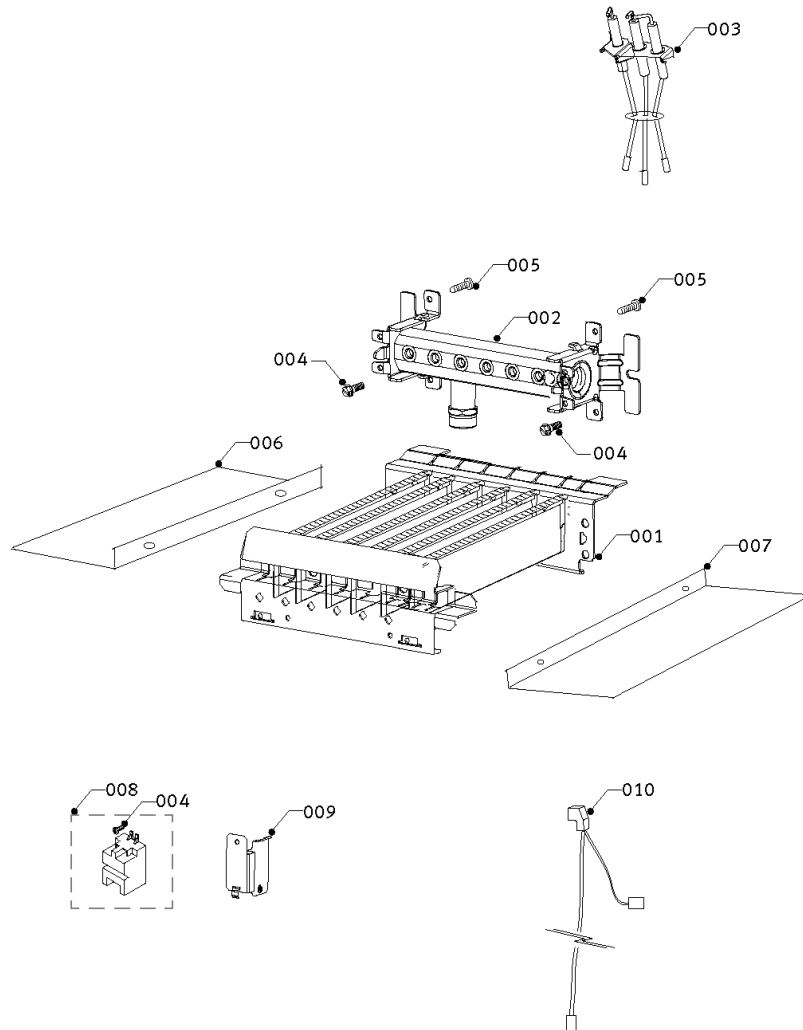
02 - Gas section

Pos.	Article	Description	Note
001	0020137104	Washer 13,7-18x1,5mm (x10)	
002	0020098491	Gas pipe	
003	0020039188	Gas valve assembly, with regulator 12mm	12KTO19 Panther (N-RU)
004	0020132294	Orifice plate, 4.8 mm	blue, NGL
005	0020097988	Support gas valve	
006	0020097989	Gas Tube	
007	S5490600	Screw, (x50)	

# Wall-hung boilers (fan-assisted system)

12KTO19 Panther (N-RU)

04 - Burner



02 - 0 - 04 - 02

## Wall-hung boilers (fan-assisted system)

12KTO19 Panther (N-RU)

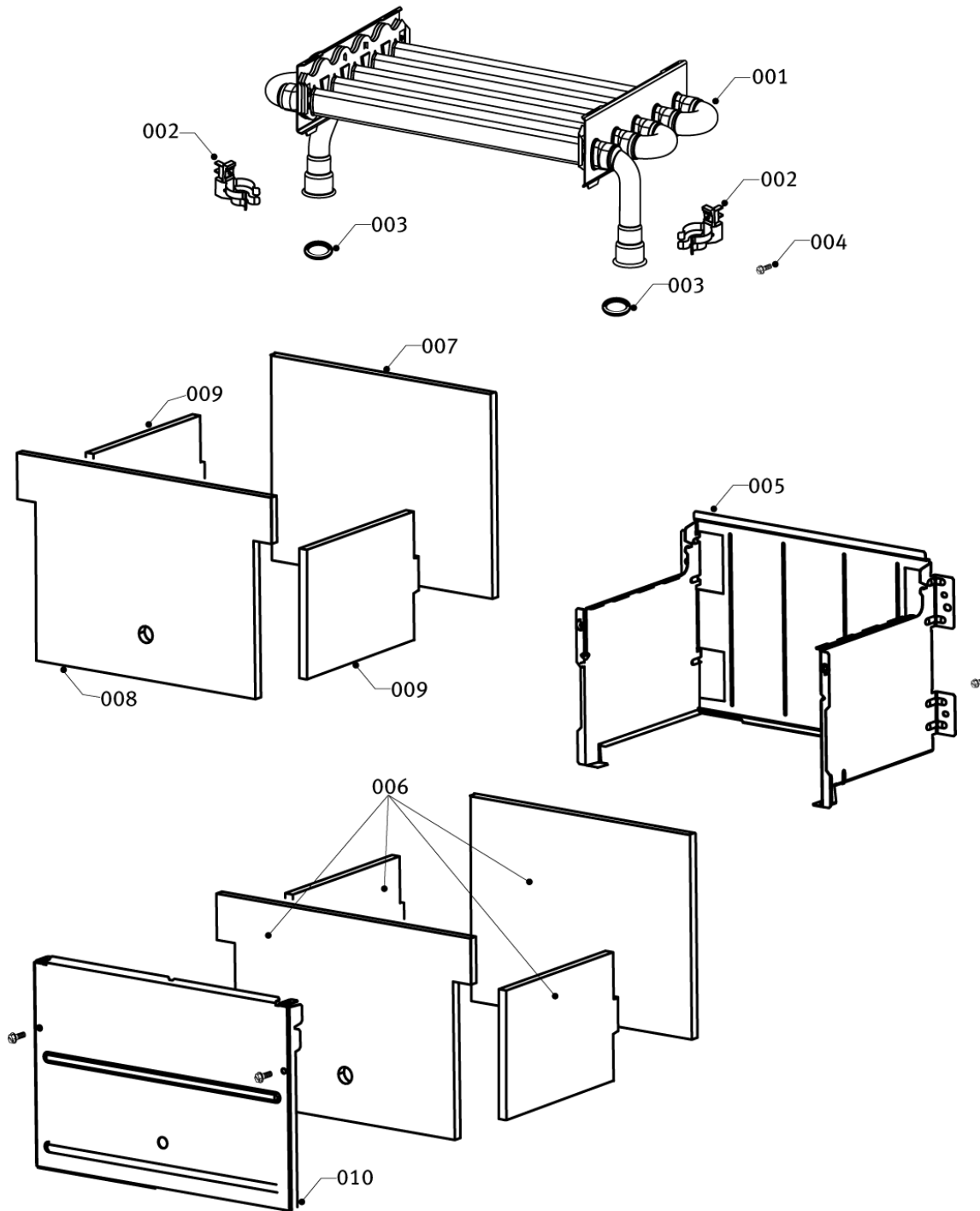
04 - Burner

Pos.	Article	Description	Note
001	0020098488	Burner 12kW	
002	0020098487	Manifold - 1,35	12KTO19 Panther (N-RU)
003	0020035628	Electrods 12KXZ17	
004	2000801946	Screw, torx 4.2x13.5mm, (x25)	
005	S5490600	Screw, (x50)	
006	0020043892	Strip of comb. chamb. left	
007	0020043893	Strip of comb. chamb. right	
008	S5742700	Spark generator	
009	0020097983	Support ignitor	
010	0020097984	Ignitor harness	

## Wall-hung boilers (fan-assisted system)

12KTO19 Panther (N-RU)

06 - Heat exchanger



02 - 0 - 06 - 02

## Wall-hung boilers (fan-assisted system)

12KTO19 Panther (N-RU)

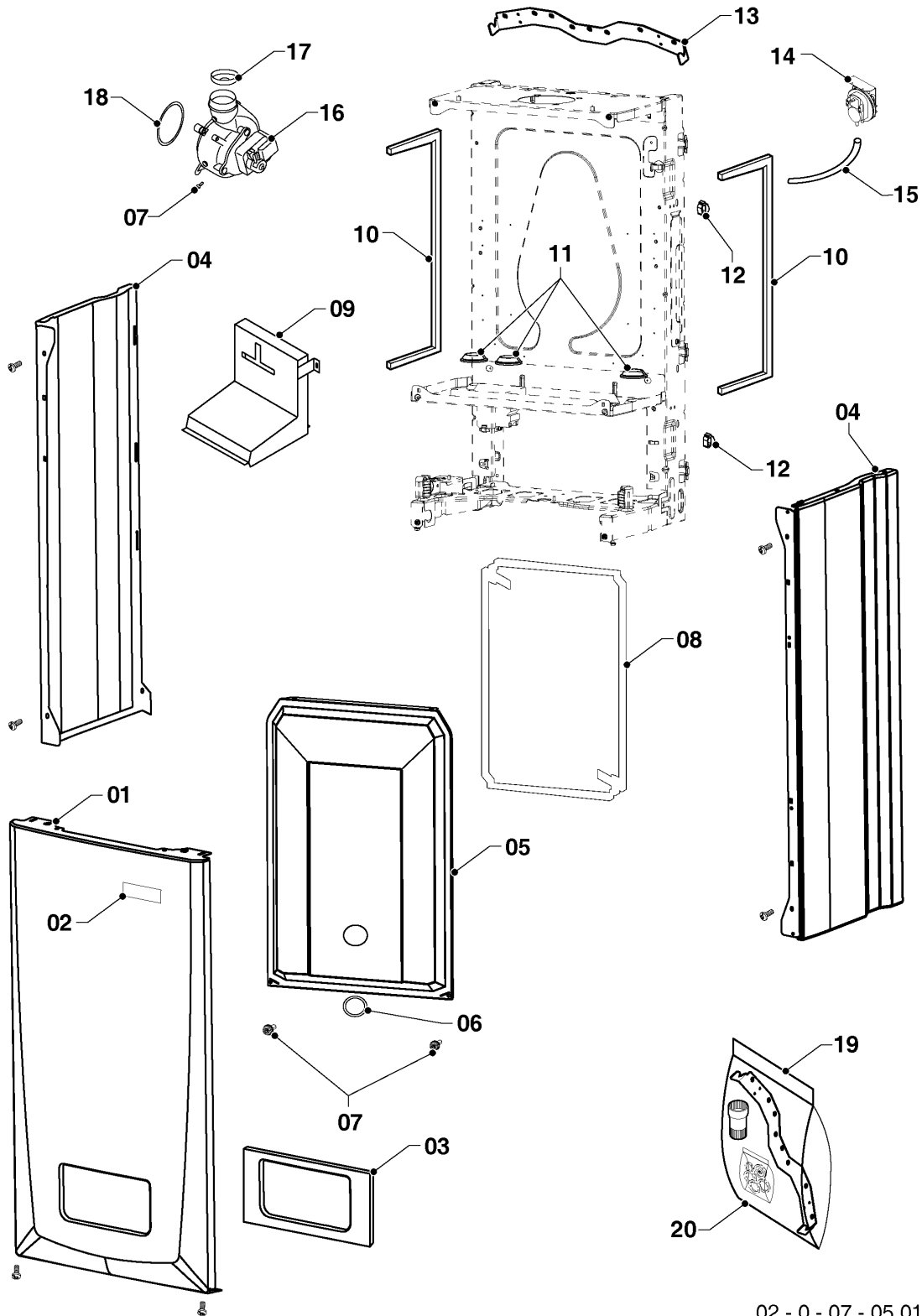
06 - Heat exchanger

Pos.	Article	Description	Note
001	0020025314	Heating exchanger - heating 12KW	
003	0020027665	Sealing ring 24x15x2, (x10)	
004	2000801946	Screw, torx 4.2x13.5mm, (x25)	
005	0020098485	Combustion chamber rear plate	
007	0020033580	Insulation 204x218	
008	0020033578	Insulation 185x218	
009	0020033524	Insulation SK 184x168	
010	0020033780	Comb. chamber front cover 12	

# Wall-hung boilers (fan-assisted system)

12KTO19 Panther (N-RU)

07a - Casing parts



02 - 0 - 07 - 05.01

## Wall-hung boilers (fan-assisted system)

12KTO19 Panther (N-RU)

07a - Casing parts

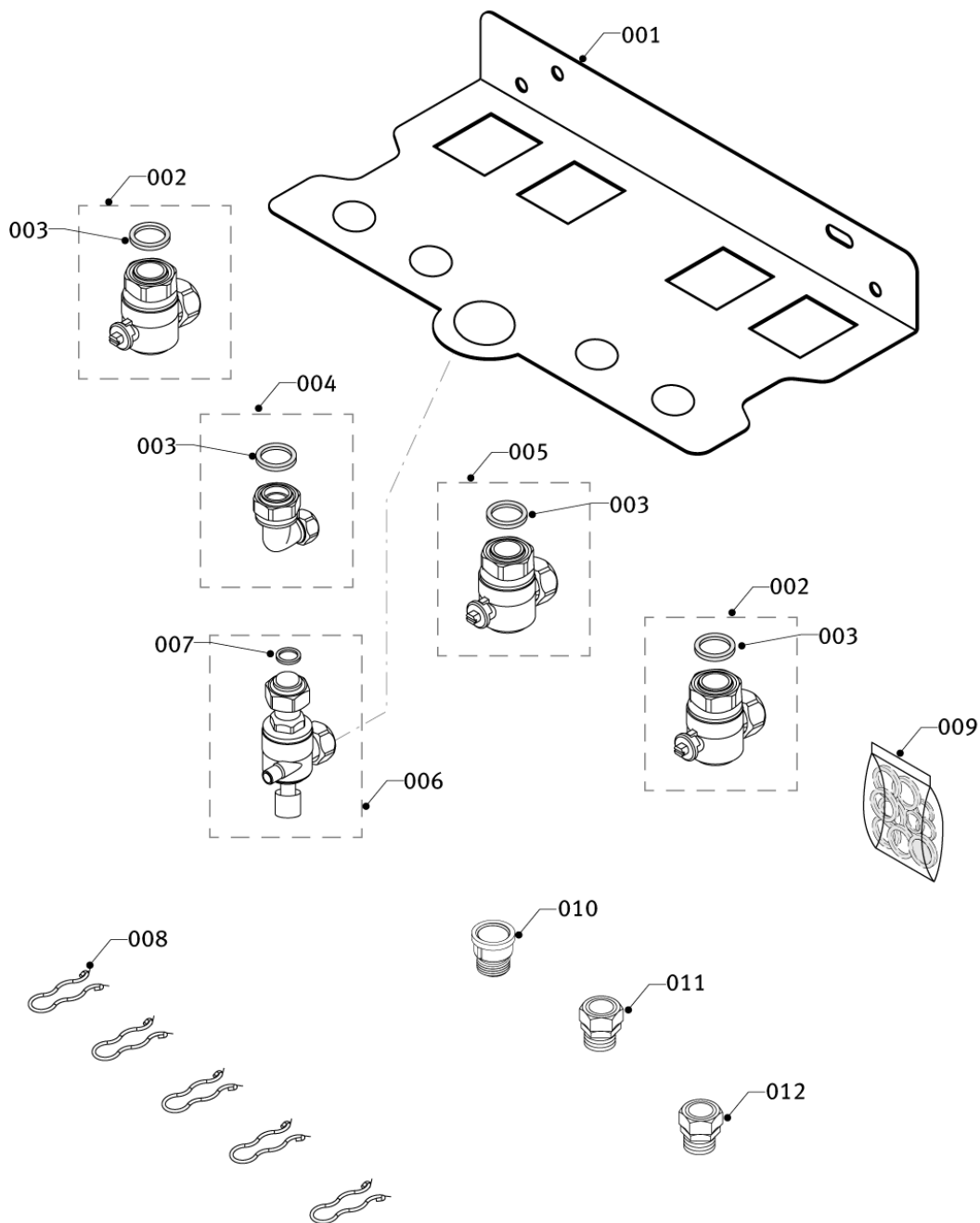
Pos.	Article	Description	Note
01	0020094081	Front panel, PT shape white	
02	0020035103	Label PROTHERM 70	
03	0020101506	Seal, front panel	
04	0020094640	Side panel, white VC SP	
05	0020049282	Front cover turbo P18	
06	S1029600	Inspection glass + seal	
07	2000801946	Screw, torx 4.2x13.5mm, (x25)	
08	0020049283	Sealing tape, front cover, 10x855x10	10 x 855 x 10 mm
09	0020035622	Combustion conductor 12kW-17	
10	0020097997	Washer side panel	
11	A000024262	Grommet, d=11mm, (kit of 3)	replaced by S1040900
11	S1040900	Grommet, d=11mm, (x3)	
12	0020034693	Wire gripping 057656	
13	S1206200	Hanging Bracket	
14	0020027605	Air pressure switch	
15	0020033263	Silicon hose to manostat	
16	0020034890	Fan GR01285	
17	0020061882	Flue reducer, D-36 (blue colour)	D=36 mm
17	0020034701	Flue diaphragm D43	D=43 mm
18	S1047800	O ring	
19	0020098495	Connection kit (system F)	
20	0020098502	Seal kit and flow limiter 8L	1x gas sealing + 4x sealing ring 24x1,5 mm



# Wall-hung boilers (fan-assisted system)

12KTO19 Panther (N-RU)

07b - Connection parts



02 - 0 - 07 - 03

## Wall-hung boilers (fan-assisted system)

12KTO19 Panther (N-RU)

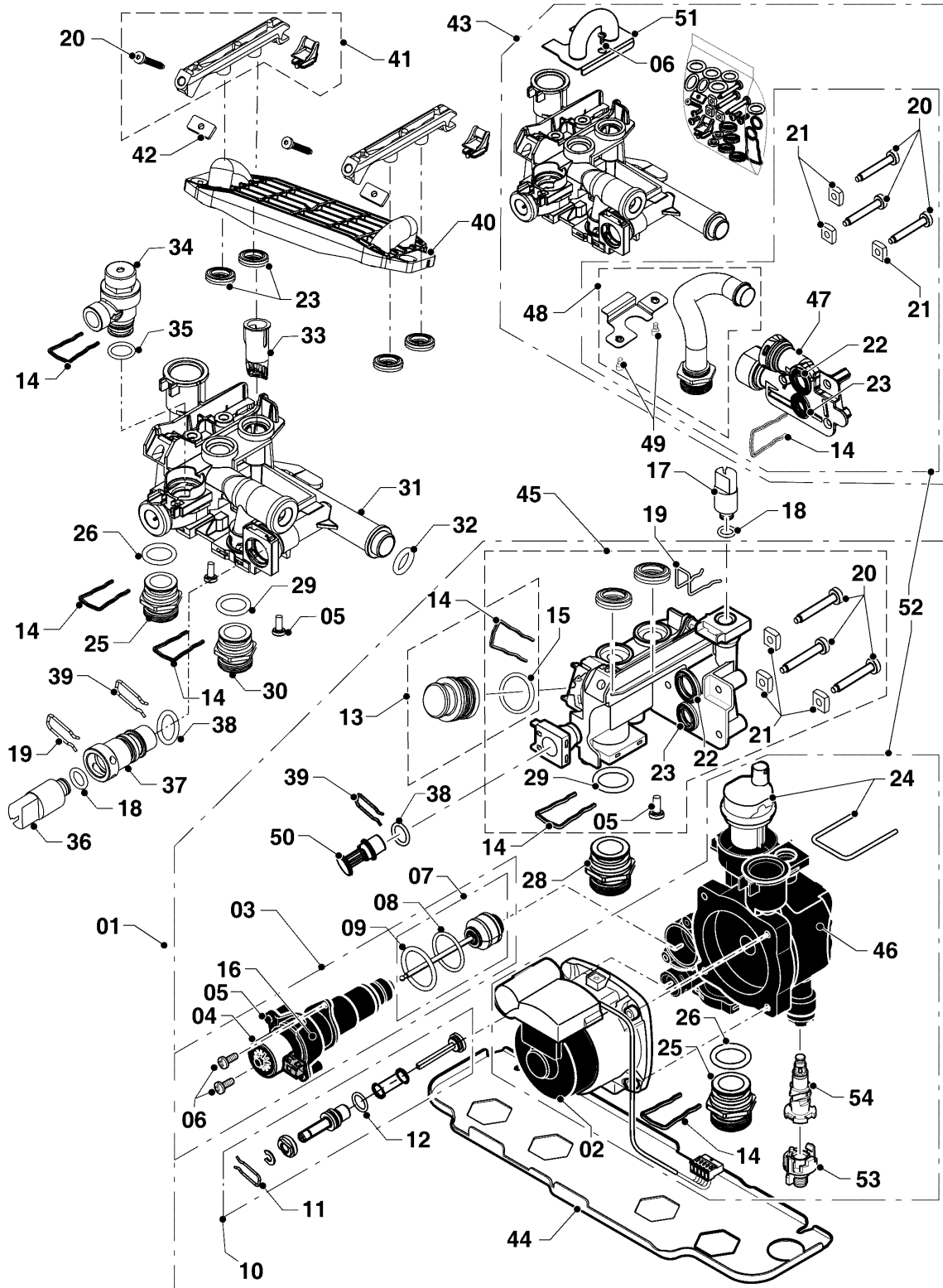
07b - Connection parts

Pos.	Article	Description	Note
001	0020098497	Support plate	
002	0020098498	Heating tap	
003	2000801883	Sealing ring, 3/4, (x10)	
004	0020098500	Connection, hot water	
005	0020098499	Cold water tap	
006	0020098501	Gas cock	
007	2000801942	Sealing ring, sanitary, (x100)	
008	0020026410	Clip	
009	2000802491	Fixing jig washer bag	4 pcs (14,2x18x1,5mm), 4 pcs (18,2x23x1,5mm), 5 pcs (16x24x1,5mm)
010	-	-	no longer available
011	0020132433	Gas connestion G1/2 - G3/4	
012	0020132434	Gas connestion G3/4 - G3/4	

# Wall-hung boilers (fan-assisted system)

12KTO19 Panther (N-RU)

08a - Hydraulic parts



02 - 0 - 08 - 03.05

## Wall-hung boilers (fan-assisted system)

12KTO19 Panther (N-RU)

08a - Hydraulic parts

Pos.	Article	Description	Note
01	0020097208	Hydraulic block pump	available until sold out, then replaced by HE pump
01	0010030667	Pump, high-efficiency	In case of upgrading SD to HE pump please order also cable 0010032761!
01	0010032761	Cable	
02	0020097216	Motor pump	available until sold out, then replaced by HE pump
02	0010032795	Pump, high-efficiency	In case of upgrading SD to HE pump please order also cable 0010032761!
02	0010032761	Cable	
03	0020097214	Diverter valve 3 way	
04	S1053700	Motor, 3-way-valve	only for appliances manufactured until 07/2017. For appliances manufactured after 07/2017 available only in kit (pos. 03)
05	0020097185	Screw, (x10)	only for appliances manufactured until 07/2017. For appliances manufactured after 07/2017 available only in kit (pos. 03)
06	0020097228	Screw, (x10)	
07	0020097222	Valve for 3WV	only for appliances manufactured until 07/2017. For appliances manufactured after 07/2017 available only in kit (pos. 03)
08	0020097226	O-ring, (x10)	
09	0020097224	O-ring, (x10)	
10	0020014169	Bypass	
11	0020014164	Retaining clip, wire, (x10)	
12	0020014195	O-ring, (x10)	
13	0020097210	Plug	
14	0020014176	Clip, (x10)	
15	0020097234	O-ring, (x10)	
16	0020124935	Flange, 3WV	only for appliances manufactured until 07/2017. For appliances manufactured after 07/2017 available only in kit (pos. 03)
17	0020097212	Plug, pressure sensor	
18	0020097202	O-ring, (x10)	

## Wall-hung boilers (fan-assisted system)

12KTO19 Panther (N-RU)

08a - Hydraulic parts

Pos.	Article	Description	Note
19	0020097197	Clip, (x10)	
20	0020097193	Screw, M5x33, (x10)	
21	0020038229	Nut	
22	0020014182	Gasket, type C, (x10)	
23	0020014166	Gasket, type C, (x10)	
24	S1024500	Automatic de-aerator	
25	0020111665	Connection G3/4 brass	
26	2000801956	O-ring, (x10)	
28	0020111667	Connection, G3/4, brass, inlet DW	
29	2000801948	O-ring, (x20)	
30	0020111669	Connection, G3/4, brass, outlet DW	
31	0020097205	Hydraulic block, Din outlet	
32	0020097187	O-ring, (x10)	
33	0020097195	Filter	
34	0020047005	Pressure relief valve, 3 bar	
35	S1085600	O Ring, (x10)	
36	S5720500	Pressure sensor	
37	0020097199	Adapter, sensor, (x10)	
38	S5466400	O-ring, (x20)	
39	0020097201	Clip, (x10)	
40	0020100097	Cover	
41	0020097189	Hinge, kit of 2	
42	0020097191	Nut, M5-22, (x10)	
43	0020172448	Set, hydroblock (Panther condens KKO)	
44	0020111661	Hydraulic Support plate	
45	0020221834	Hydroblock. input	
46	0020207137	Housing, pump R-DIN	
47	0020197547	Hydroblock	
48	0020175909	Tube	
49	0020129813	Screw, (x10)	
50	0020098017	Plug	
51	0020175910	Tube	with pos. 06, 23

## Wall-hung boilers (fan-assisted system)

12KTO19 Panther (N-RU)

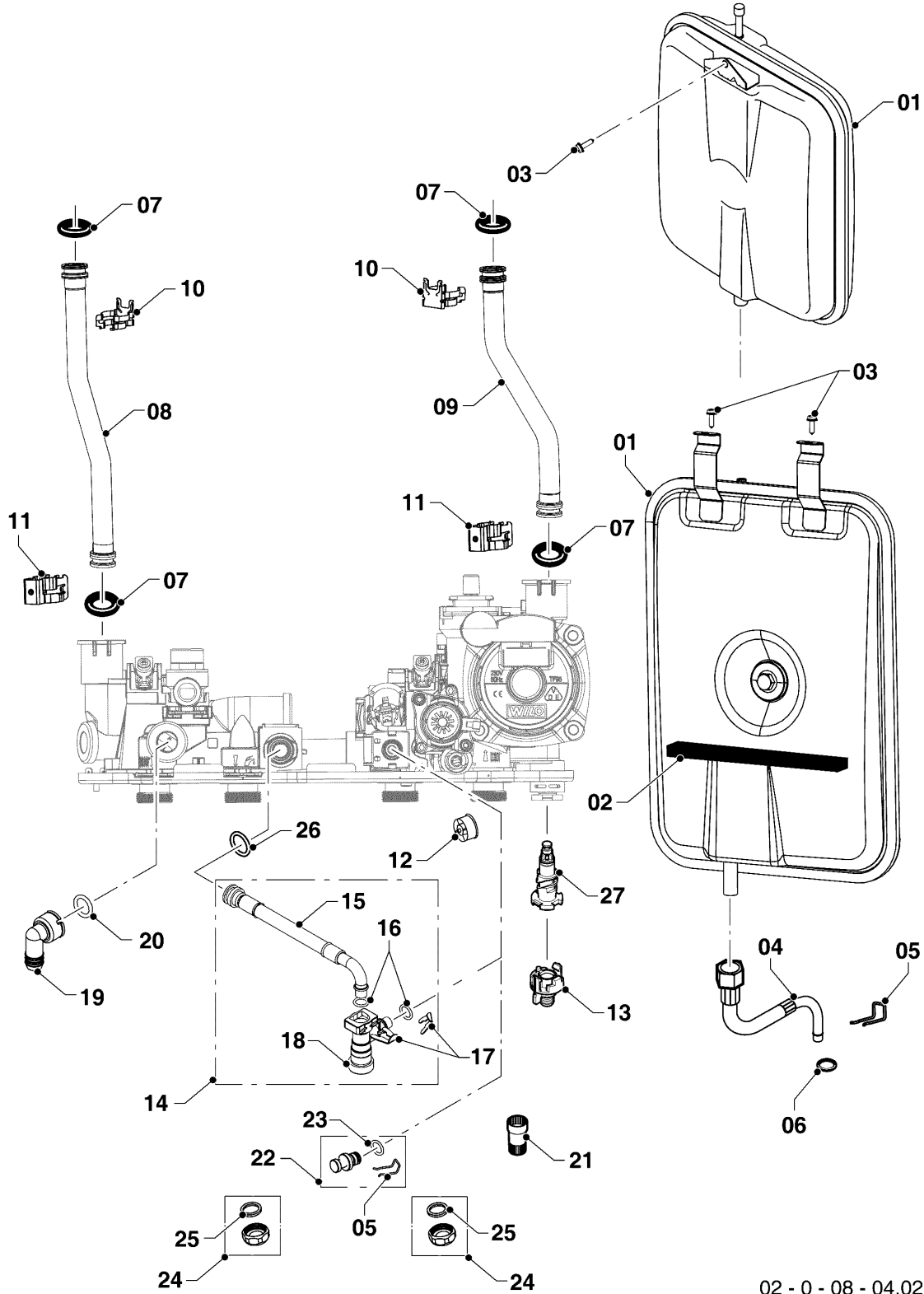
08a - Hydraulic parts

Pos.	Article	Description	Note
52	0020175911	Hydraulic block, Pump	available until sold out, then replaced by HE pump
52	0010030667	Pump, high-efficiency	In case of upgrading SD to HE pump please order also cable 0010032761!
52	0010032761	Cable	
53	0020097336	Tap drain piece	
54	0020207138	Tap drain piece R-DIN	

# Wall-hung boilers (fan-assisted system)

12KTO19 Panther (N-RU)

08b - Hydraulic parts



02 - 0 - 08 - 04.02

## Wall-hung boilers (fan-assisted system)

12KTO19 Panther (N-RU)

08b - Hydraulic parts

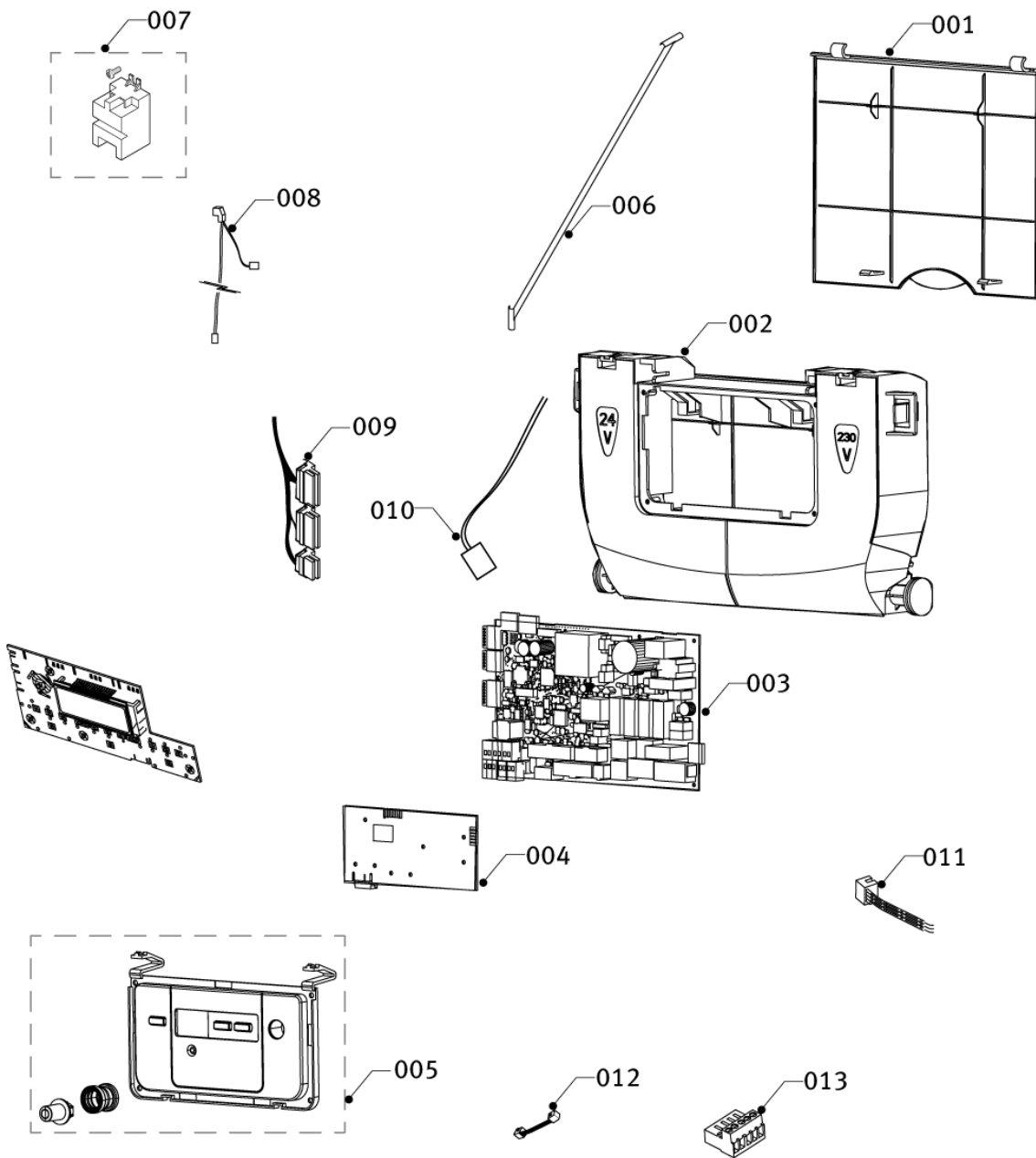
Pos.	Article	Description	Note
01	0020098253	Expansion vessel 7L	
02	0020098254	Seal	
03	2000801946	Screw, torx 4.2x13.5mm, (x25)	
04	0020097955	Hose	
05	0020097197	Clip, (x10)	
06	0020034114	O-Ring, 14x9,5x2,5, (x10)	
07	0020027665	Sealing ring 24x15x2, (x10)	
08	0020098490	Tube	
09	0020098489	Tube	
11	0020018462	Clip, (x10)	
13	0020097336	Tap drain piece	
19	0020097985	Tube	
20	S1085600	O Ring, (x10)	
22	0020098017	Plug	
23	2000801950	O-ring, for pipe, (x20)	
24	0020098016	Plug	
25	2000801883	Sealing ring, 3/4, (x10)	
26	S5466400	O-ring, (x20)	
27	0020207138	Tap drain piece R-DIN	



# Wall-hung boilers (fan-assisted system)

12KTO19 Panther (N-RU)

12 - Control box



02 - 0 - 12 - 01.01

## Wall-hung boilers (fan-assisted system)

12KTO19 Panther (N-RU)

12 - Control box

Pos.	Article	Description	Note
001	0020097963	Cover	
002	0020097961	Control box	
003	0020097962	Printed circuit	
004	0020098259	Interface card	
005	0020098255	Instrument panel	
006	S1009200	Strap, (x5)	
007	S5742700	Spark generator	
008	0020097984	Ignitor harness	
009	0020098000	Wiring harness	
010	0020098494	Fan cable	
011	0020097978	Harness, supply	
012	0020084515	Cable tree (harness)	
013	0020098256	Plug, 3 wires, (x5)	